

↗ DOMETIC

REFRIGERATION

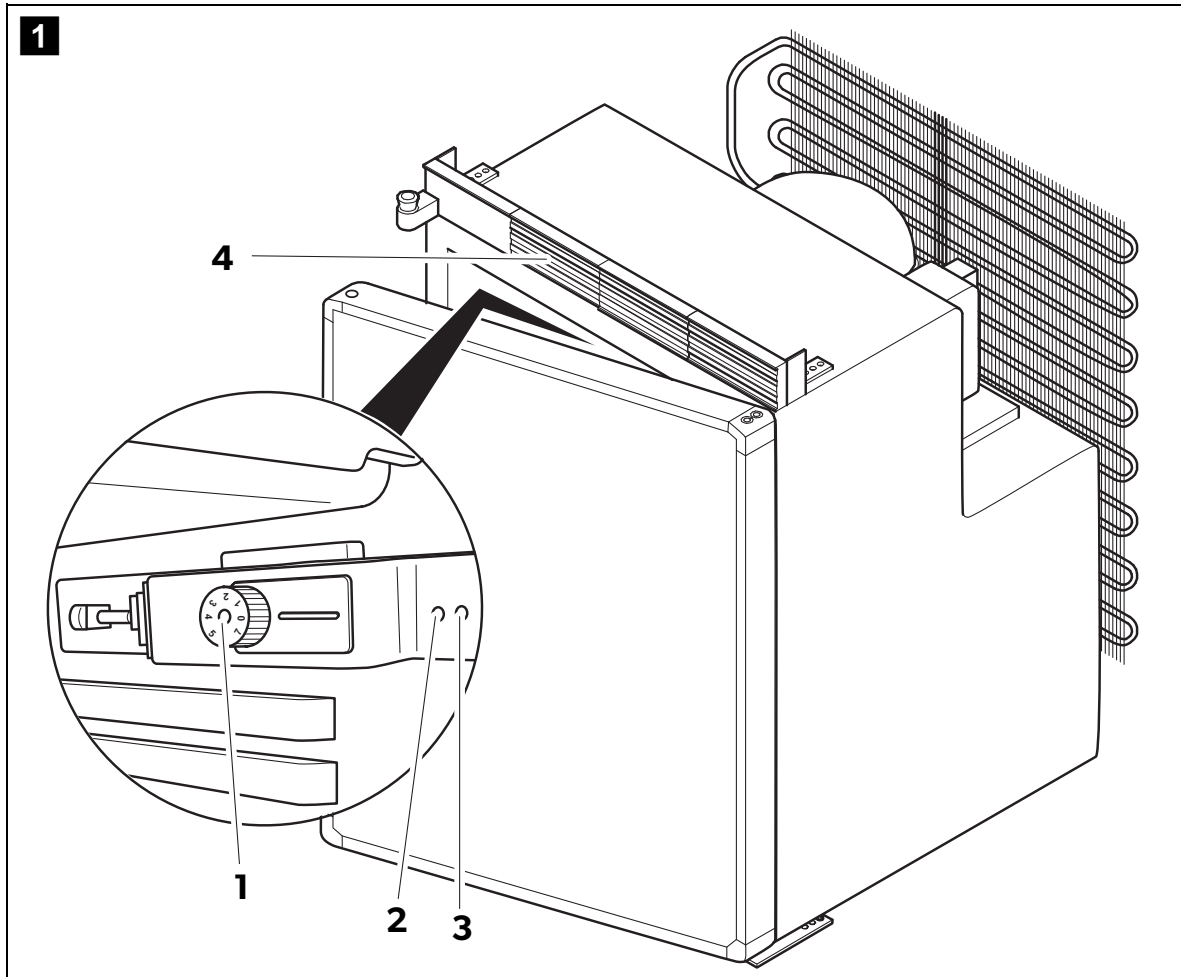
COOLMATIC

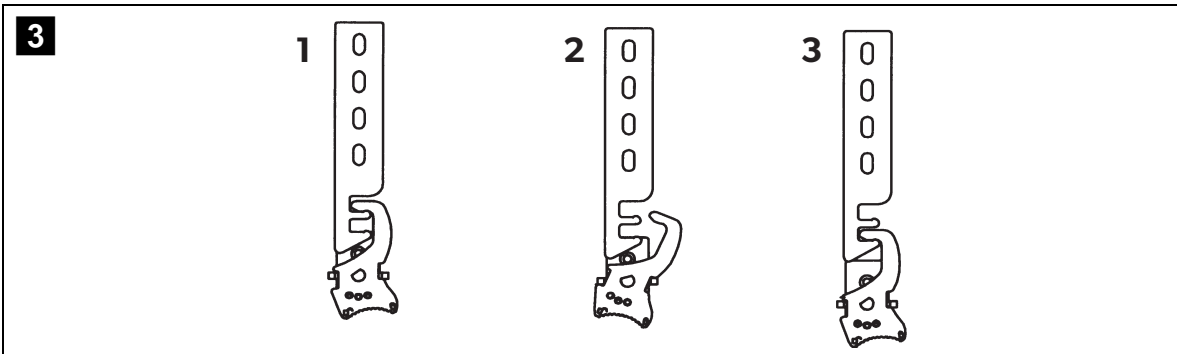
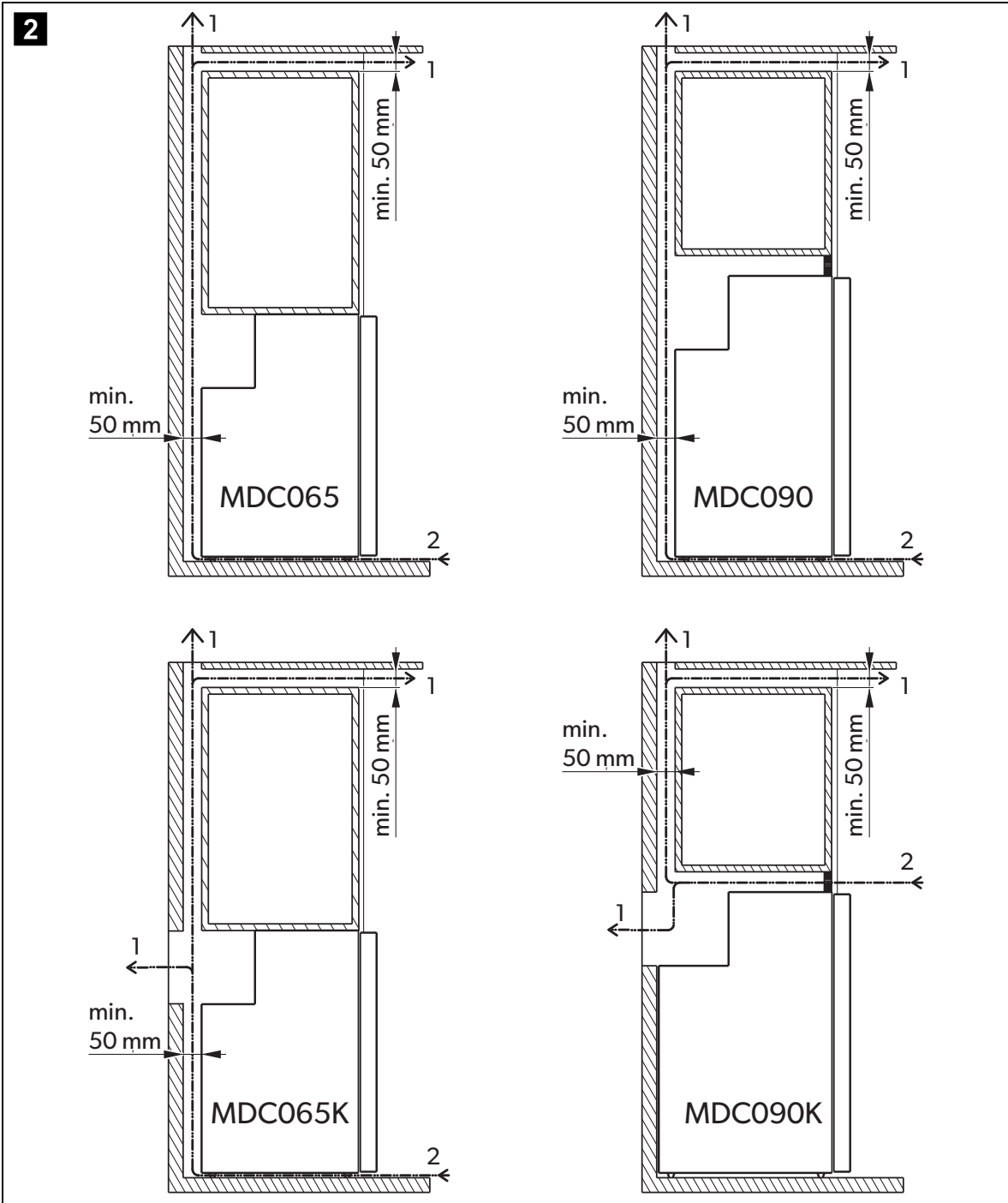


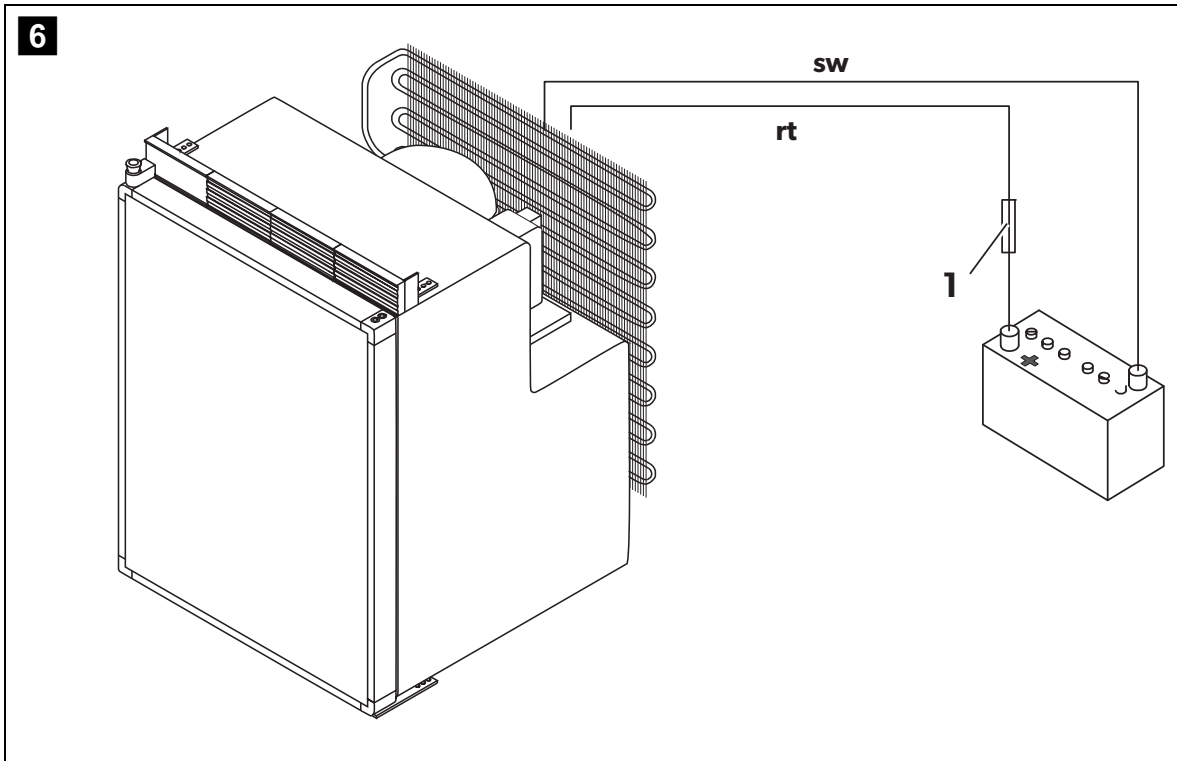
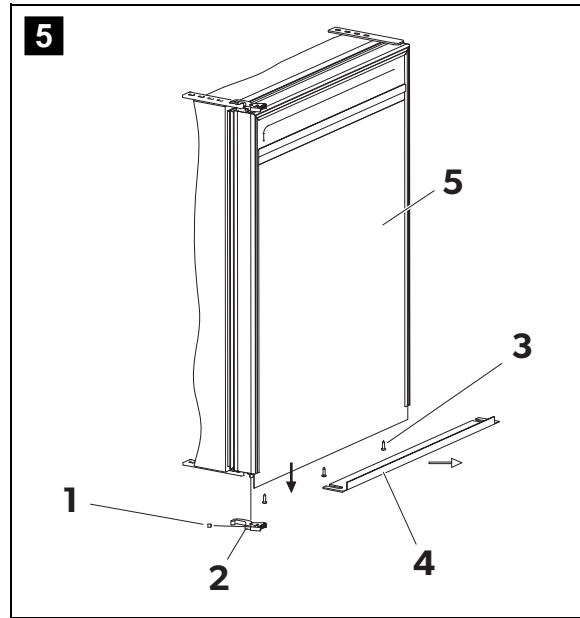
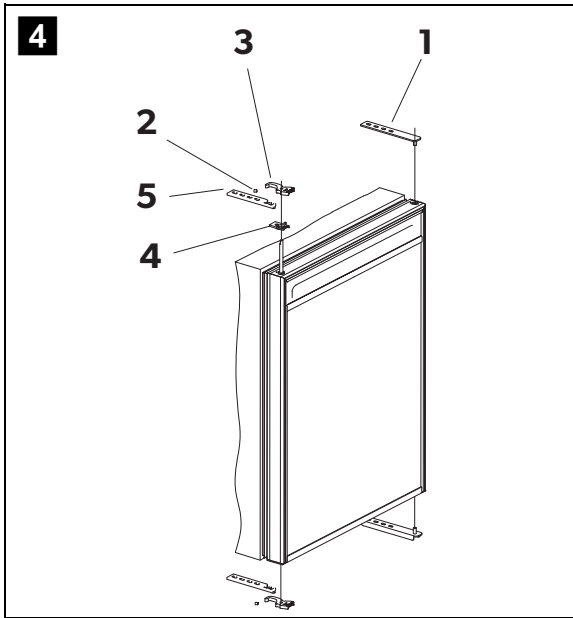
**MDC065, MDC065K, MDC090,
MDC090K**

EN	Refrigerator	
	Operating manual	7
DE	Kühlschrank	
	Bedienungsanleitung	24
FR	Réfrigérateur	
	Notice d'utilisation	42
NL	Koelkast	
	Gebruiksaanwijzing	61

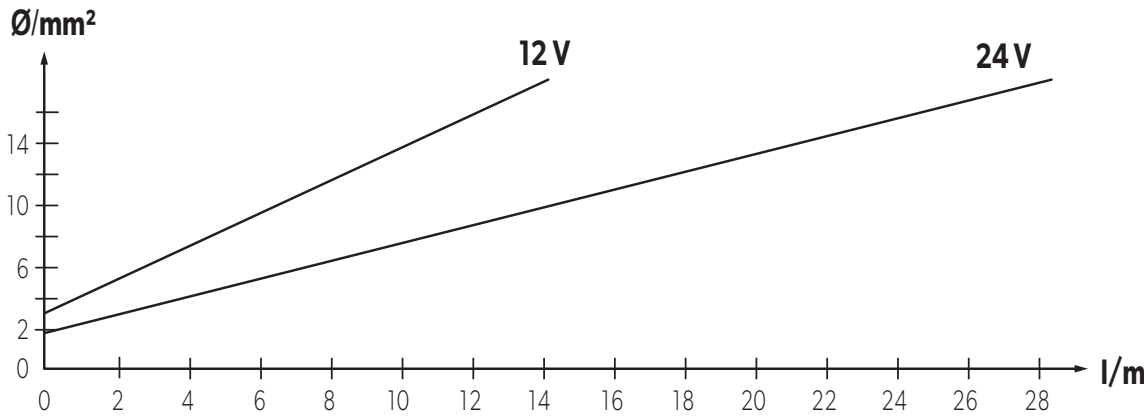








7



Please read this instruction manual carefully before first use, and store it in a safe place. If you pass on the product to another person, hand over this instruction manual along with it.

Contents

1	Explanation of symbols	8
2	Safety instructions	8
3	Intended use	10
4	Scope of delivery	10
5	Accessory	11
6	Technical description	11
7	Setting up and connecting the cooling device	12
8	Operation	16
9	Cleaning and maintenance	19
10	Guarantee	19
11	Disposal	19
12	Troubleshooting	20
13	Technical data	23

1 Explanation of symbols

**DANGER!**

Safety instruction: Failure to observe this instruction will cause fatal or serious injury.

**WARNING!**

Safety instruction: Failure to observe this instruction can cause fatal or serious injury.

**CAUTION!**

Safety instruction: Failure to observe this instruction can lead to injury.

**NOTICE!**

Failure to observe this instruction can cause material damage and impair the function of the product.

**NOTE**

Supplementary information for operating the product.

2 Safety instructions

The manufacturer accepts no liability for damage in the following cases:

- Faulty assembly or connection
- Damage to the product resulting from mechanical influences and excess voltage
- Alterations to the product without express permission from the manufacturer
- Use for purposes other than those described in the operating manual

2.1 General safety

**DANGER!**

- **Danger of fatal injuries!**

When using the device on boats: if the device is powered by the mains, ensure that the power supply has a ground fault interrupter circuit.

**WARNING!**

- Before starting up the device for the first time, check whether the operating voltage and the battery voltage correspond (see type plate).
- If the connection cable is damaged, it must be replaced to prevent possible electrical hazards. Only replace a damaged connection cable with a connection cable of the same type and specifications.
- Have a trained technician make installations in wet rooms.
- This device may only be repaired by qualified personnel. Inadequate repairs can lead to considerable hazards.
Should your device need to be repaired, please contact customer services.
- **Electronic devices are not toys!**
Always keep and use the device out of the reach of children.
- People (including children) whose physical, sensory or mental capacities or whose lack of experience or knowledge prevent them from using this product safely should not use it without the supervision or instruction of a responsible person.
- Food may only be stored in its original packaging or in suitable containers.
- Do not store any explosive substances, such as spray cans with propellants in the device.

**NOTICE!**

- Do not open the refrigerant circuit under any circumstances.
- Set up the device in a dry location where it is protected against splashing water.
- Do not place the device near naked flames or other heat sources (heaters, direct sunlight, gas ovens etc.)
- If you connect your refrigerator to a battery, please remember that the battery contains acid.
- Ensure that the ventilation slots are not covered.
- The cooling device is not suitable for transporting caustic materials or materials containing solvents.

2.2 Operating the device safely



CAUTION!

- Do not place any electrical devices inside the refrigerator.
- If you connect the device to a battery, make sure that food does not come into contact with the battery acid.
- Protect the device against rain and moisture.
- Disconnect the cooling device and other power consuming devices from the battery before connecting the battery to a quick charging device.
Overvoltage can damage the electronics of the device.



NOTE

- Defrost the device in good time to save energy.
- Disconnect the device if you are not going to use it for a long time.

3 Intended use

The refrigerator is suitable for refrigerating foodstuffs and storing frozen foodstuffs. The device is also suitable for use on boats.



CAUTION! Health hazard!

Please check if the cooling capacity of the device is suitable for storing the food or medicine you wish to cool.

4 Scope of delivery

Quantity	Description
1	Refrigerator
1	Assembly kit for changing the door hinge
1	Operating manual

5 Accessory

If you wish to operate the cooling device with a 230 V AC mains supply, please use one of the following rectifiers.

Available as accessory (not included in scope of delivery):

Description	Ref. no.
CoolPower EPS100W rectifier	9600000440
CoolPower MPS35 rectifier	9600000445

6 Technical description

CoolMatic MDC series refrigerators are suitable for use with a 12 V or 24 V DC voltage and can therefore also be used for camping or on boats. You can also use the CoolPower EPS100W and MPS35 rectifiers to connect them to a 230 V mains supply.

The refrigerator can chill products and keep them cool. Frozen products can be stored in the freezer compartment.

You can use the continuously variable thermostat to set the desired temperature.

All materials used in the refrigerator are compatible for use with foodstuffs. The refrigerant circuit is maintenance-free.

When used on boats the refrigerator can be subjected to a constant inclination of 30°.

6.1 Operating and display elements

No. in fig. 1, page 3	Explanation
1	Temperature controller
2	Operating status LED
3	Error code LED
4	Ventilation slots (only MDC090/MDC090K)

Error codes in the error code LED, see chapter "Troubleshooting" on page 20.

7 Setting up and connecting the cooling device

7.1 Setting up the cooling device

The device is designed for ambient temperatures between +16 °C and +32 °C. In continuous operation, the air humidity may not exceed 90 %.

Set up the cooling device in a dry, sheltered place. Avoid placing it near heat sources such as radiators, gas ovens or hot water pipes. Do not let it stand in the direct, strong sunlight.

The cooling device must be positioned so that heated air can dissipate easily. Therefore make sure there is adequate ventilation (fig. **2**, page 4).

No. in fig. 2 , page 4	Explanation
1	Hot waste air
2	Cold intake air

7.2 Sealing system

The cooling device has a locking mechanism to protect it during transport. The following settings are possible:

- Position 1 (transport lock) (fig. **3** 1, page 4): The door is locked and secured. To open the door, turn the bolt to position 2.
- Position 2 (releasing transport lock) (fig. **3** 2, page 4): The door can be opened.
- Position 3 (VENT position) (fig. **3** 3, page 4): The door is slightly open, but fixed in position. Use this position, for example, if you are not going to use the device for a long time.

7.3 Changing the door hinge

You can also change the hinge of the door, so that it opens to the left rather than the right.

To change the door hinge, proceed as follows (fig. **4**, page 5):

- Remove the upper door hinge (fig. **4** 1, page 5).
- Carefully lift out the door.
- Remove the threaded pins (fig. **4** 2, page 5).
- Pull the locking hook (fig. **4** 3, page 5) off the rod.
- Remove the locking plate (fig. **4** 4, page 5) and fit it on the opposite side.
- Pull the rod downwards and out and put it in the other side.
- Fasten the locking hook (fig. **4** 3, page 5) back on the rod.
- Detach the top and bottom lock holders (fig. **4** 5, page 5) on the left side.
- Detach the top and bottom door hinges (fig. **4** 1, page 5) on the right side.
- Fasten the top and bottom door hinges (fig. **4** 1, page 5) to the left side.
- Fasten the top and bottom lock holders (fig. **4** 5, page 5) to the left side.

7.4 Changing the decorative plate

You can change the decorative plate on your cooling device to improve the appearance.

This is how to change the decorative plate:

- Remove the screws 1 and 3 (fig. **5** 1 and 3, page 5).
- Remove components 2 and 4 (fig. **5** 2 and 4, page 5).
- Pull down the old decorative plate out of the door frame.
Caution: there is a risk of injury!
- Put the new decorative plate in the door frame.
- Fit the components 2 and 4 (fig. **5** 2 and 4, page 5) back on the device.
- Fasten the screws 1 and 3 (fig. **5** 1 and 3, page 5).

7.5 Connecting the cooling device

For the electrical connection you also need the wiring diagram (fig. **6**, page 5).

Cable colours:

No. in fig. 6 , page 5	Meaning
sw	black
rt	red

Connecting to a battery

The cooling device can be operated with a 12 V or 24 V DC voltage supply.



NOTICE!

To avoid voltage loss and therefore a drop in performance, the cable should be kept as short as possible and should not be interrupted if this is possible.

For this reason avoid additional switches, plugs or power strips.

- Determine the required cross section of the cable in relation to the cable length according to fig. **7**, page 6.

Key for fig. **7**, page 6

Co-ordinate axis	Meaning	Unit
l	Cable length	m
∅	Cable cross section	mm ²



NOTICE!

Make sure that the polarity is correct.

- Before starting up the device for the first time, check whether the operating voltage and the battery voltage correspond (see type plate).

- Connect the cooling device
 - As directly as possible to the pole of the battery or
 - To a plug socket which is fused with at least 15 A (at 12 V) or 7.5 A (at 24 V).

**NOTICE!**

Disconnect the cooling device and other power consuming devices from the battery before connecting the battery to a quick charging device.

Overvoltage can damage the electronics of the device.

The cooling device is equipped with an electronic device to protect against reversing the polarity and short circuits when connecting to a battery. To protect the battery, the cooling device switches off automatically if the voltage is insufficient (see table below).

	12 V	24 V
Switch-off voltage	10.4 V	22.8 V
Switch-on voltage	11.7 V	24.2 V

Connecting to 230 V mains supply**DANGER!**

- Never handle plugs and switches with wet hands or if you are standing in a puddle.
- If you are operating your cooling device on board a boat with a mains connection of 230 V from the land, you must install a ground protection circuit breaker between the 230 V mains supply and the cooling device.

Seek advice from a trained technician.

- To operate the cooling device with a 230 V mains supply, use an CoolPower EPS100W or MPS35 rectifier.

8 Operation



NOTE

Before starting your new cooling device for the first time, you should clean it inside and outside with a damp cloth for hygienic reasons (please also refer to the chapter “Cleaning and maintenance” on page 19).

8.1 Energy saving tips

- Choose a well ventilated installation location which is protected against direct sunlight.
- Allow food to cool down first before placing it in the device.
- Do not open the cooling device more often than necessary.
- Do not leave the door open for longer than necessary.
- Defrost the cooling device as soon as a layer of ice forms.
- Avoid unnecessarily low temperatures.
- Clean the condenser of dust impurities at regular intervals.

8.2 Using the cooling device

The fridge device conserves fresh foodstuffs. You can also conserve frozen foodstuffs in the freezer compartment.



NOTICE!

Ensure that food or liquids in glass containers are not excessively refrigerated.
Liquids expand when they freeze and can thus destroy the glass containers.

- Switch the cooling device on by turning the knob (fig. **1** A, page 3) to the right.



NOTE

After switching on, the cooling device requires approx. 60 s until the compressor starts up.



NOTICE!

Ensure that the objects placed in the cooling device are suitable for cooling to the selected temperature.

Setting the temperature

You can set the temperature to any level using the knob. The built-in temperature control regulates the temperature as follows:

- 1 (left limit) = warmest setting
- 7 (right limit) = coldest setting



NOTE

The cooling capacity can be influenced by:

- The ambient temperature
- The amount of food to be conserved
- The frequency with which the door is opened
- Adequate ventilation

Conserving foodstuffs

You can conserve foodstuffs in the cooling device compartment. The time for which the food can be conserved in this way is usually stated on the package.



NOTICE!

Do not conserve **warm** food in the cooling device compartment.
Do not place glass containers with liquid in the freezer compartment.



NOTE

Food which can easily absorb tastes and odours and liquids and products with a high alcohol content should be conserved in air-tight containers.

The cooling device compartment is divided in different zones with different temperatures:

- The colder zones are immediately over the base, near the back wall.
 - Observe the temperature information and best before date on the food packaging.
- Observe the following when using the device:
- Do not re-freeze products which are defrosting or have been defrosted, consume them as soon as possible.
 - Wrap food in aluminium foil or cling film and shut it in a suitable box with a lid. This ensures that aromas, the shape and the freshness are better conserved.

Securing the refrigerator door

You can prevent the refrigerator door from being opened inadvertently.

- Put the locking mechanism on the top of the door to position 1 (fig. **3** 1, page 4).

Defrosting the cooling device

Humidity can form frost in the interior of the cooling device or on the vaporiser. This reduces the cooling capacity. Defrost the device in good time to avoid this.



NOTICE!

Never use hard or pointed tools to remove ice or to loosen objects which have frozen in place.

To defrost the cooling device, proceed as follows:

- Take out the contents of the cooling device.
- Place them in another cooling device to keep them cool, if necessary.
- Set the knob to 0.
- Leave the door open.
- Wipe off the water resulting from defrosting or – if present – empty the collecting tray. If your device has a water drain, drain the thawed water off.

Switching off and storing the cooling device

If you do not intend to use the cooling device for a long time, proceed as follows:

- Turn the knob to 0.
- Disconnect the power cable from the battery or pull the DC cable plug out of the rectifier.
- Clean the cooling device (see chapter “Cleaning and maintenance” on page 19).
- Leave the lid or door open for to avoid unpleasant odours building up.
- Put the lock in the VENT position (fig. **3** 3, page 4).
This prevents odours from building up.

9 Cleaning and maintenance



NOTICE!

- Do not use abrasive cleaning agents or hard objects during cleaning as these can damage the cooling device.
- Never use brushes, scouring pads or hard or pointed tools to remove ice or to loosen objects which have frozen in place.

- Clean the cooling device regularly as soon as it becomes dirty with a damp cloth.
- Make sure that no water drips into the sealings. This can damage the electronics.
- Wipe the cooling device dry with a cloth after cleaning.

10 Guarantee

The statutory warranty period applies. If the product is defective, please contact the manufacturer's branch in your country (see the back of the instruction manual for the addresses) or your retailer.

For repair and guarantee processing, please include the following documents when you send in the device:

- A copy of the receipt with purchasing date
- A reason for the claim or description of the fault

11 Disposal



NOTICE!

When disposing of the device, make sure it is not overheated, as the insulating foam was made with flammable gas.

- Place the packaging material in the appropriate recycling waste bins wherever possible.



If you wish to finally dispose of the product, ask your local recycling centre or specialist dealer for details about how to do this in accordance with the applicable disposal regulations.

12 Troubleshooting

The significance of the red LED (fig. 1 2, page 3)

For operational faults it illuminates several times. The number of pulses depends on the type of fault.

Each flash lasts for one quarter of a second. After the series of impulses a pause follows. The sequence for the fault is repeated every four seconds.

Number of flashes	Fault	Possible cause
1	Supply voltage	The supply voltage is outside of the set range.
2	Excessive fan current	The fan loads the electronics unit with more than 1 A.
3	The motor doesn't start	The rotor is jammed. The pressure difference in the cooling system is too high (> 5 bar).
4	Speed too low	If the cooling system is overloaded, the minimum speed of the motor of 1850 RPM cannot be maintained.
5	Overheating of the electronics unit	If the cooling system is loaded too heavily or the temperature is set too high, the electronics can overheat.

Interior temperature too low in control level "1"

Fault	Possible cause	Remedy
Compressor runs constantly	Faulty thermostat	Change the thermostat
Compressor runs for a long time	Large quantities have been frozen in the freezer compartment	–

Compressor does not run (battery connection)

Fault	Possible cause	Remedy
$U_{KL} = 0\text{ V}$	There is an interruption in the connection between the battery and the – electronics	Establish a connection
	Main switch faulty (if installed)	Replace the main switch
	Additional supply line fuse has blown (if installed)	Replace the supply line fuse
$U_{KL} \leq U_{EIN}$	Battery voltage is too low	Charge the battery
Start attempt with $U_{KL} \leq U_{OFF}$	Loose cables	Establish a connection
	Poor contact (corrosion)	
	Battery capacity too low	Replace the battery
Start attempt with $U_{KL} \geq U_{ON}$	Cable cross section too small	Replace the cable
	Ambient temperature too high	–
	Insufficient ventilation and/or air supply	Move the refrigerator to another location
Electric circuit between the pins in the compressor interrupted	Condenser is dirty	Clean the condenser
	Defective compressor	Replace the compressor

U_{KL} Voltage between the positive and negative terminals of the electronics

U_{ON} Cut-in voltage of the electronics

U_{OFF} Cut-off voltage of the electronics

Compressor is not running (connected to AC supply)

Fault	Possible cause	Remedy
No voltage	Interruption in the supply cable	Establish a connection
	Main switch faulty (if installed)	Replace the main switch
	Additional supply line fuse has blown (if installed)	Replace the supply line fuse
Voltage is present but the compressor doesn't run	Ambient temperature too high	–
	Insufficient ventilation and/or air supply	Move the refrigerator to another location
	Condenser is dirty	Clean the condenser
Electric circuit between the pins in the compressor interrupted	Defective compressor	Replace the compressor

Poor cooling, interior temperature increases

Fault	Possible cause	Remedy
Compressor runs for a long time/continuously	Ambient temperature too high	–
	Insufficient ventilation and/or air supply	Move the refrigerator to another location
	Condenser is dirty	Clean the condenser
	Faulty fan	Replace the fan
Compressor runs intermittently	Battery capacity exhausted	Charge the battery

Unusual noises

Fault	Possible cause	Remedy
Loud humming	A component of the refrigerant circuit cannot move freely (touching the wall)	Bend the component carefully away from the obstruction
	Foreign body jammed between the cooling unit and the wall	Remove the foreign body
	Fan noise	–

13 Technical data

All MDC series refrigerators have the following features:

- Connection voltage 12 V $\overline{=}$ or 24 V $\overline{=}$
- Cooling device compartment temperature: +10 °C to +2 °C
- Freezer compartment temperature: 0 °C to -18 °C
- Relative humidity: maximum 90 %
- Constant inclination: maximum 30°



- Test/certificates:
complies with ErP/EuP directive

	MDC065 MDC065K	MDC090 MDC090K
Overall capacity:	64 l	90 l
Freezer compartment:	10 l	10 l
Average power consumption:	45 W	
Coolant quantity:	60 g	
CO2 equivalent:	0.086 t	
Global warming potential (GWP):	1430	
Dimensions (W x H x D) in mm:	485 x 673 x 475	485 x 830 x 475
Weight:	20 kg	28 kg

The coolant circuit contains R-134a.

Contains fluorinated greenhouse gases

Hermetically sealed equipment

Bitte lesen Sie diese Anleitung vor der Inbetriebnahme sorgfältig durch und bewahren Sie sie auf. Geben Sie sie im Falle einer Weitergabe des Produktes an den Nutzer weiter.

Inhaltsverzeichnis

1	Erklärung der Symbole	25
2	Sicherheitshinweise	25
3	Bestimmungsgemäßer Gebrauch	27
4	Lieferumfang	28
5	Zubehör.....	28
6	Technische Beschreibung	28
7	Kühlgerät aufstellen und anschließen	29
8	Bedienung.....	33
9	Reinigung und Pflege	37
10	Gewährleistung.....	37
11	Entsorgung	37
12	Störungen beseitigen	38
13	Technische Daten	41

1 Erklärung der Symbole

**GEFAHR!**

Sicherheitshinweis: Nichtbeachtung führt zu Tod oder schwerer Verletzung.

**WARNUNG!**

Sicherheitshinweis: Nichtbeachtung kann zu Tod oder schwerer Verletzung führen.

**VORSICHT!**

Sicherheitshinweis: Nichtbeachtung kann zu Verletzungen führen.

**ACHTUNG!**

Nichtbeachtung kann zu Materialschäden führen und die Funktion des Produktes beeinträchtigen.

**HINWEIS**

Ergänzende Informationen zur Bedienung des Produktes.

2 Sicherheitshinweise

Der Hersteller übernimmt in folgenden Fällen keine Haftung für Schäden:

- Montage- oder Anschlussfehler
- Beschädigungen am Produkt durch mechanische Einflüsse und Überspannungen
- Veränderungen am Produkt ohne ausdrückliche Genehmigung vom Hersteller
- Verwendung für andere als die in der Anleitung beschriebenen Zwecke

2.1 Allgemeine Sicherheit



GEFAHR!

- **Lebensgefahr!**

Beim Einsatz auf Booten: Sorgen Sie bei Netzbetrieb unbedingt dafür, dass Ihre Stromversorgung über einen FI-Schalter abgesichert ist!



WARNUNG!

- Kontrollieren Sie vor Inbetriebnahme des Gerätes, ob die Betriebsspannung und die Batteriespannung übereinstimmen (siehe Typenschild).
- Wenn das Anschlusskabel beschädigt ist, müssen Sie es ersetzen, um Gefährdungen zu vermeiden. Tauschen Sie ein beschädigtes Anschlusskabel nur gegen ein Anschlusskabel gleicher Art und Spezifikation aus.
- Lassen Sie Installationen in Feuchträumen nur vom Fachmann verlegen.
- Reparaturen an diesem Gerät dürfen nur von Fachkräften durchgeführt werden. Durch unsachgemäße Reparaturen können erhebliche Gefahren entstehen. Wenden Sie sich im Reparaturfall an den Kundendienst.
- **Elektrogeräte sind kein Kinderspielzeug!**
Verwahren und benutzen Sie das Gerät außerhalb der Reichweite von Kindern.
- Personen (einschließlich Kinder), die aufgrund ihrer physischen, sensorischen oder geistigen Fähigkeiten oder ihrer Unerfahrenheit oder Unkenntnis nicht in der Lage sind, das Produkt sicher zu benutzen, sollten dieses Produkt nicht ohne Aufsicht oder Anweisung durch eine verantwortliche Person nutzen.
- Lebensmittel dürfen nur in Originalverpackungen oder geeigneten Behältern eingelagert werden.
- Lagern Sie keine explosionsfähigen Substanzen wie z. B. Sprühdosen mit Treibgas im Gerät.



ACHTUNG!

- Öffnen Sie auf keinen Fall den Kühlkreislauf.
- Stellen Sie das Gerät an einem trockenen und gegen Spritzwasser geschützten Platz auf.

- Stellen Sie das Gerät nicht in der Nähe von offenen Flammen oder anderen Wärmequellen (Heizung, starke Sonneneinstrahlung, Gasöfen usw.) ab.
- Wenn Sie Ihr Kühlgerät an eine Batterie anschließen, denken Sie daran, dass die Batterie Säure enthält!
- Achten Sie darauf, dass die Lüftungsschlitze nicht abgedeckt werden.
- Das Kühlgerät ist nicht geeignet für den Transport ätzender oder lösungsmittelhaltiger Stoffe.

2.2 Sicherheit beim Betrieb des Gerätes



VORSICHT!

- Im Inneren des Kühlgerätes dürfen keine elektrischen Geräte eingesetzt werden.
- Wenn Sie das Gerät an eine Batterie anschließen, stellen Sie sicher, dass Lebensmittel nicht mit Batteriesäure in Berührung kommen.
- Schützen Sie das Gerät vor Regen und Feuchtigkeit.
- Klemmen Sie das Gerät und andere Verbraucher von der Batterie ab, bevor Sie die Batterie mit einem Schnellladegerät aufladen. Überspannungen können die Elektronik der Geräte beschädigen.



HINWEIS

- Tauen Sie das Gerät rechtzeitig ab, um Energie zu sparen.
- Klemmen Sie das Gerät ab, wenn Sie es lange nicht brauchen.

3 Bestimmungsgemäßer Gebrauch

Der Kühlschrank eignet sich zum Kühlen von Lebensmitteln und zum Lagern von tiefgekühlten Lebensmitteln. Das Gerät ist auch für den Betrieb auf Booten geeignet.



VORSICHT! Gesundheitsgefahr!

Prüfen Sie bitte, ob die Kühlleistung des Gerätes den Anforderungen der Lebensmittel oder Medikamente entspricht, die Sie kühlen wollen.

4 Lieferumfang

Menge	Bezeichnung
1	Kühlschrank
1	Montagesatz zum Ändern des Türanschlags
1	Bedienungsanleitung

5 Zubehör

Falls Sie Ihr Kühlgerät am 230-V-Wechselstromnetz betreiben wollen, verwenden Sie bitte einen der folgenden Wechselrichter.

Als Zubehör erhältlich (nicht im Lieferumfang enthalten):

Bezeichnung	Artikel-Nr.
Gleichrichter CoolPower EPS100W	9600000440
Gleichrichter CoolPower MPS 35	9600000445

6 Technische Beschreibung

CoolMatic Kühlschränke der MDC-Serie sind geeignet für den Einsatz an einer Gleichspannung von 12 V oder 24 V und können somit z. B. auch beim Camping oder auf Booten eingesetzt werden. Außerdem können sie über die Gleichrichter CoolPower EPS100W oder MPS35 an ein 230-V-Netz angeschlossen werden.

Der Kühlschrank kann Waren auf +2 °C bis +10 °C abkühlen und kühl halten. Im Gefrierfach können tiefgekühlte Waren bei -18 °C bis 0 °C gelagert werden.

Über einen Temperaturregler kann die gewünschte Temperatur stufenlos eingestellt werden.

Alle im Kühlschrank verwendeten Materialien sind unbedenklich für Lebensmittel. Der Kühlkreislauf ist wartungsfrei.

Beim Einsatz auf Booten kann der Kühlschrank einer Dauer-Krängung von 30° ausgesetzt werden.

6.1 Bedien- und Anzeigeelemente

Nr in Abb. 1 , Seite 3	Erklärung
1	Temperaturregler
2	Betriebsanzeige-LED (grün)
3	Fehlercode-LED (rot)
4	Belüftungsschlitze (nur MDC090/MDC090K)

Fehlercodes der Fehlercode-LED siehe Kapitel „Störungen beseitigen“ auf Seite 38.

7 Kühlgerät aufstellen und anschließen

7.1 Kühlgerät aufstellen

Das Gerät ist für Umgebungstemperaturen zwischen +16 °C und +32 °C vorgesehen. Im Dauerbetrieb darf die Luftfeuchtigkeit nicht über 90 % liegen.

Stellen Sie das Kühlgerät an einem trockenen, geschützten Platz auf. Vermeiden Sie das Aufstellen neben Wärmequellen wie Heizungen, Gasöfen, Warmwasserleitungen etc. Lassen Sie das Gerät nicht in der prallen Sonne stehen.

Das Kühlgerät muss so stehen, dass die erwärmte Luft gut abziehen kann. Stellen Sie daher eine ausreichende Belüftung sicher (Abb. **2**, Seite 4).

Nr in Abb. 2 , Seite 4	Erklärung
1	warme Abluft
2	kalte Zuluft

7.2 Verschlussystem

Das Kühlgerät verfügt über einen Verriegelungsmechanismus, der auch als Transportsicherung dient. Folgende Einstellungen sind möglich:

- Position 1 (Transportsicherung) (Abb. **3** 1, Seite 4): Die Tür ist geschlossen und gesichert. Um die Tür zu öffnen, drehen Sie den Riegel in Position 2.
- Position 2 (Transportsicherung lösen) (Abb. **3** 2, Seite 4): Die Tür kann geöffnet werden.
- Position 3 („VENT“-Stellung) (Abb. **3** 3, Seite 4): Die Tür ist leicht geöffnet, aber fixiert. Nutzen Sie diese Position, wenn Sie z. B. das Gerät längere Zeit außer Betrieb nehmen.

7.3 Türanschlag ändern

Sie können den Anschlag der Tür ändern, so dass die Tür nach links statt nach rechts aufschwingt.

Gehen Sie wie folgt vor, um den Türanschlag zu ändern (Abb. **4**, Seite 5):

- Entfernen Sie den oberen Türanschlag (Abb. **4** 1, Seite 5).
- Heben Sie die Tür vorsichtig heraus.
- Lösen Sie die Gewindestifte (Abb. **4** 2, Seite 5).
- Ziehen Sie die Verschlussaken (Abb. **4** 3, Seite 5) von der Stange.
- Entfernen Sie die Verschlussplatte (Abb. **4** 4, Seite 5) und montieren Sie sie an der gegenüberliegenden Seite.
- Ziehen Sie die Stange nach unten heraus und setzen Sie sie an der gegenüberliegenden Seite ein.
- Befestigen Sie die Verschlussaken (Abb. **4** 3, Seite 5) wieder an der Stange.
- Demontieren Sie die Verschlusshalter (Abb. **4** 5, Seite 5) links oben und unten.
- Demontieren Sie die Türanschlüge (Abb. **4** 1, Seite 5) rechts oben und unten.
- Befestigen Sie die Türanschlüge (Abb. **4** 1, Seite 5) auf der linken Seite oben und unten.
- Befestigen Sie die Verschlusshalter (Abb. **4** 5, Seite 5) auf der rechten Seite oben und unten.

7.4 Dekorplatte wechseln

Sie können die Dekorplatte Ihres Kühlgerätes auswechseln und somit die Optik Ihren Vorstellungen anpassen.

Um die Dekorplatte zu wechseln, gehen Sie wie folgt vor:

- Lösen Sie die Schrauben 1 und 3 (Abb. **5** 1 und 3, Seite 5).
- Demontieren Sie die Bauteile 2 und 4 (Abb. **5** 2 und 4, Seite 5).
- Ziehen Sie die alte Dekorplatte nach unten aus dem Türrahmen heraus.
Achtung: Verletzungsgefahr!
- Setzen Sie die neue Dekorplatte in den Türrahmen ein.
- Montieren Sie die Bauteile 2 und 4 (Abb. **5** 2 und 4, Seite 5) wieder an das Gerät.
- Befestigen Sie die Schrauben 1 und 3 (Abb. **5** 1 und 3, Seite 5) wieder.

7.5 Kühlgerät anschließen

Für den elektrischen Anschluss beachten Sie auch den Anschlussplan (Abb. **6**, Seite 5).

Kabelfarben:

Nr. in Abb. 6 , Seite 5	Bedeutung
sw	schwarz
rt	rot

An eine Batterie anschließen

Das Kühlgerät kann mit 12 V oder mit 24 V Gleichspannung betrieben werden.



ACHTUNG!

Um Spannungs- und Leistungsverluste zu vermeiden, sollte das Kabel möglichst kurz und nicht unterbrochen sein.

Vermeiden Sie deshalb zusätzliche Schalter, Stecker oder Verteilerdosen.

- Bestimmen Sie den notwendigen Querschnitt des Kabels in Abhängigkeit von der Kabellänge gemäß Abb. **7**, Seite 6.

Legende zu Abb. **7**, Seite 6

Koordinatenachse	Bedeutung	Einheit
l	Kabellänge	m
∅	Kabelquerschnitt	mm ²



ACHTUNG!

Beachten Sie die richtige Polarität.

- Kontrollieren Sie vor Inbetriebnahme des Gerätes, ob die Betriebsspannung und die Batteriespannung übereinstimmen (siehe Typenschild).
- Schließen Sie Ihr Kühlgerät
 - möglichst direkt an die Pole der Batterie an oder
 - an einen Steckplatz an, der mit mindestens 15 A (bei 12 V) bzw. 7,5 A (bei 24 V) abgesichert ist.



ACHTUNG!

Klemmen Sie das Gerät und andere Verbraucher von der Batterie ab, bevor Sie die Batterie mit einem Schnellladegerät aufladen.

Überspannungen können die Elektronik der Geräte beschädigen.

Ein elektronischer Verpolungsschutz schützt das Kühlgerät gegen Verpolung beim Batterieanschluss und Kurzschluss. Zum Schutz der Batterie schaltet sich das Kühlgerät automatisch ab, wenn die Spannung nicht mehr ausreicht (siehe folgende Tabelle).

	12 V	24 V
Ausschaltspannung	10,4 V	22,8 V
Wiedereinschaltspannung	11,7 V	24,2 V

An ein 230-V-Netz anschließen



GEFAHR!

- Hantieren Sie nie mit Steckern und Schaltern, wenn Sie nasse Hände haben oder mit den Füßen in der Nässe stehen.
- Wenn Sie Ihr Kühlgerät an Bord eines Bootes per Landanschluss am 230-V-Netz betreiben, müssen Sie auf jeden Fall einen FI-Schutzschalter zwischen 230-V-Netz und Kühlgerät schalten. Lassen Sie sich von einem Fachmann beraten.

- Um das Kühlgerät am 230-V-Netz zu betreiben, verwenden Sie den Gleichrichter CoolPower EPS100W oder MPS35.

8 Bedienung



HINWEIS

Bevor Sie das neue Kühlgerät in Betrieb nehmen, sollten Sie es aus hygienischen Gründen innen und außen mit einem feuchten Tuch reinigen (siehe auch Kapitel „Reinigung und Pflege“ auf Seite 37).

8.1 Tipps zum Energiesparen

- Wählen Sie einen gut belüfteten und vor Sonnenstrahlen geschützten Einsatzort.
- Lassen Sie warme Speisen erst abkühlen, bevor Sie sie einlagern.
- Öffnen Sie das Kühlgerät nicht häufiger als nötig.
- Lassen Sie die Tür nicht länger offen stehen als nötig.
- Tauen Sie das Kühlgerät ab, sobald sich eine Eisschicht gebildet hat.
- Vermeiden Sie eine unnötig tiefe Innentemperatur.
- Befreien Sie den Kondensator in regelmäßigen Abständen von Staub und Verunreinigungen.

8.2 Kühlgerät benutzen

Das Kühlgerät ermöglicht die Konservierung von frischen Nahrungsmitteln. Außerdem können Sie im Gefrierfach tiefgekühlte Lebensmittel konservieren.



ACHTUNG!

Achten Sie darauf, dass Sie Getränke oder Speisen in Glasbehältern nicht zu stark abkühlen.

Beim Gefrieren dehnen sich Getränke oder flüssige Speisen aus. Dadurch können die Glasbehälter zerstört werden.

- Schalten Sie das Kühlgerät ein, indem Sie den Regler (Abb. **1** A, Seite 3) nach rechts drehen.



HINWEIS

Nach dem Einschalten benötigt das Kühlgerät etwa 60 s, bis der Kompressor anläuft.



ACHTUNG!

Achten Sie darauf, dass sich nur Gegenstände bzw. Waren im Kühlgerät befinden, die auf die gewählte Temperatur gekühlt werden dürfen.

Temperatur einstellen

Sie können die Temperatur stufenlos über den Regler einstellen. Der integrierte Temperaturregler reguliert die Temperatur folgendermaßen:

- 1 (Linksanschlag) = wärmste Einstellung
- 7 (Rechtsanschlag) = kälteste Einstellung



HINWEIS

Die Kühlleistung kann beeinflusst werden von

- der Umgebungstemperatur,
- der Menge der zu konservierenden Lebensmittel,
- der Häufigkeit der Türöffnungen,
- eine angemessene Belüftung.

Lebensmittel konservieren

Sie können im Kühlfach Lebensmittel konservieren. Die Konservierungszeit der Lebensmittel ist normalerweise auf der Packung angegeben.



ACHTUNG!

Konservieren Sie keine **warmen** Lebensmittel im Kühlfach. Stellen Sie keine Glasbehälter mit Flüssigkeiten in das Gefrierfach.



HINWEIS

Konservieren Sie Lebensmittel, die leicht Gerüche und Geschmäcke aufnehmen, sowie Flüssigkeiten und Produkte mit hohem Alkoholgehalt in dichten Behältern.

Das Kühlfach unterteilt sich in verschiedene Zonen, die unterschiedliche Temperaturen aufweisen:

- Die kälteren Zonen befinden sich unmittelbar über dem Boden, nahe der Rückwand.
- Beachten Sie Temperatur- und Haltbarkeitsangaben auf den Verpackungen Ihrer Lebensmittel.
- Beachten Sie folgende Hinweise beim Konservieren:
 - Frieren Sie Produkte, die gerade auftauen oder aufgetaut wurden, keinesfalls wieder ein, sondern brauchen Sie diese baldmöglichst auf.
 - Wickeln Sie die Lebensmittel in Aluminium- bzw. Polyäthylenfolien und schließen Sie sie in entsprechende Behälter mit Deckel. Dadurch werden die Aromen, die Substanz und die Frische besser konserviert.

Kühlschranktür sichern

Sie können die Kühlschranktür z. B. gegen unbeabsichtigtes Öffnen sichern.

- Stellen Sie den Verriegelungsmechanismus an der Türoberseite auf Position 1 (Abb. **3** 1, Seite 4).

Kühlgerät abtauen

Luftfeuchtigkeit kann sich am Verdampfer oder im Innenraum des Kühlgeräts als Reif niederschlagen, der die Kühlleistung verringert. Tauen Sie das Gerät rechtzeitig ab.



ACHTUNG!

Verwenden Sie nie harte oder spitze Werkzeuge zum Entfernen von Eisschichten oder zum Lösen festgefrorener Gegenstände.

Gehen Sie wie folgt vor, um das Kühlgerät abzutauen:

- Nehmen Sie das Kühlgut heraus.
- Lagern Sie es ggf. in einem anderen Kühlgerät, damit es kalt bleibt.
- Stellen Sie den Regler auf „0“.
- Lassen Sie die Tür offen.
- Wischen Sie das Tauwasser auf oder – falls vorhanden – leeren Sie die Auffangschale. Falls ihr Gerät über einen Tauwasserablauf verfügt, lassen Sie das Tauwasser darüber ablaufen.

Kühlgerät ausschalten und stilllegen

Wenn Sie das Kühlgerät für längere Zeit stilllegen wollen, gehen Sie wie folgt vor:

- Drehen Sie den Regler auf Stufe „0“.
- Klemmen Sie die Anschlusskabel von der Batterie ab oder ziehen Sie den Stecker der Gleichstromleitung aus dem Gleichrichter.
- Reinigen Sie das Kühlgerät (siehe Kapitel „Reinigung und Pflege“ auf Seite 37).
- Lassen Sie den Deckel oder die Tür zur Vermeidung von Geruchsbildung leicht geöffnet.
- Stellen Sie die Verriegelung auf „VENT“-Stellung (Abb. **3** 3, Seite 4). So verhindern Sie, dass sich Gerüche bilden.

9 Reinigung und Pflege



ACHTUNG!

- Verwenden Sie zur Reinigung keine scharfen Reinigungsmittel oder harten Gegenstände, da diese das Kühlgerät beschädigen können.
- Verwenden Sie nie Bürsten, Kratzer oder harte und spitze Werkzeuge zum Entfernen von Eisschichten oder zum Lösen festgefrorener Gegenstände.

- Reinigen Sie das Kühlgerät regelmäßig und sobald er verschmutzt ist mit einem feuchten Tuch.
- Achten Sie darauf, dass kein Wasser in die Dichtungen tropft. Dies kann die Elektronik beschädigen.
- Wischen Sie das Kühlgerät nach dem Reinigen mit einem Tuch trocken.

10 Gewährleistung

Es gilt die gesetzliche Gewährleistungsfrist. Sollte das Produkt defekt sein, wenden Sie sich bitte an die Niederlassung des Herstellers in Ihrem Land (Adressen siehe Rückseite der Anleitung) oder an Ihren Fachhändler.

Zur Reparatur- bzw. Gewährleistungsbearbeitung müssen Sie folgende Unterlagen mitschicken:

- eine Kopie der Rechnung mit Kaufdatum,
- einen Reklamationsgrund oder eine Fehlerbeschreibung.

11 Entsorgung



ACHTUNG!

Beachten Sie bei der Entsorgung, dass das Gerät nicht überhitzt wird, da der Isolierschaum mit brennbarem Gas aufgeschäumt wurde.

- Geben Sie das Verpackungsmaterial möglichst in den entsprechenden Recycling-Müll.



Wenn Sie das Produkt endgültig außer Betrieb nehmen, informieren Sie sich bitte beim nächsten Recyclingcenter oder bei Ihrem Fachhändler über die zutreffenden Entsorgungsvorschriften.

12 Störungen beseitigen

Bedeutung der roten LED (Abb. 1 2, Seite 3)

Bei Betriebsfehlern leuchtet die LED mehrmals auf. Die Anzahl der Impulse hängt von der Art des Fehlers ab.

Jedes Aufleuchten dauert jeweils eine Viertelsekunde. Im Anschluss an die Impulsreihe folgt eine Pause. Die Sequenz für den Fehler wird alle vier Sekunden wiederholt.

Anzahl Leuchtimpulse	Fehler	Mögliche Ursache
1	Versorgungsspannung	Die Versorgungsspannung liegt außerhalb des eingestellten Bereichs.
2	Lüfter-Überstrom	Der Lüfter belastet die Elektronikeinheit mit mehr als 1 A.
3	Motor läuft nicht an	Der Rotor sitzt fest. Der Differenzdruck im Kühlsystem ist zu hoch (> 5 bar).
4	Zu niedrige Drehzahl	Bei zu stark belastetem Kühlsystem lässt sich die Mindestdrehzahl des Motors von 1850 min ⁻¹ nicht aufrecht erhalten.
5	Übertemperatur der Elektronikeinheit	Bei zu stark belastetem Kühlsystem oder zu hoher Temperatur wird die Elektronik zu heiß.

Innentemperatur zu kalt in Regler-Stufe „1“

Störung	Mögliche Ursache	Lösung
Kompressor läuft dauernd	Thermostat defekt	Thermostat wechseln
Kompressor läuft lange	Im Gefrierfach wurde größere Menge eingefroren	–

Kompressor läuft nicht (Batterieanschluss)

Störung	Mögliche Ursache	Lösung
$U_{KL} = 0\text{ V}$	Unterbrechung in der Anschlussleitung Batterie – Elektronik	Verbindung herstellen
	Hauptschalter defekt (falls vorhanden)	Hauptschalter wechseln
	Zusätzliche Leitungsabsicherung durchgebrannt (falls vorhanden)	Leitungsabsicherung wechseln
$U_{KL} \leq U_{EIN}$	Batteriespannung zu niedrig	Batterie laden
Startversuch mit $U_{KL} \leq U_{AUS}$	Lose Kabelverbindung Schlechter Kontakt (Korrosion)	Verbindung herstellen
	Batteriekapazität zu gering	Batterie wechseln
	Kabelquerschnitt zu gering	Kabel wechseln
Startversuch mit $U_{KL} \geq U_{EIN}$	Umgebungstemperatur zu hoch	–
	Be- und Entlüftung nicht ausreichend	Kühlschrank umstellen
	Kondensator verschmutzt	Kondensator reinigen
Elektrische Unterbrechung im Kompressor zwischen den Stiften	Kompressor defekt	Kompressor wechseln

U_{KL} Spannung zwischen Plus- und Minusklemme der Elektronik

U_{EIN} Einschaltspannung Elektronik

U_{AUS} Ausschaltspannung Elektronik

Kompressor läuft nicht (Anschluss an Wechselspannung)

Störung	Mögliche Ursache	Lösung
Keine Spannung	Unterbrechung in der Anschlussleitung	Verbindung herstellen
	Hauptschalter defekt (falls vorhanden)	Hauptschalter wechseln
	Zusätzliche Leitungsabsicherung durchgebrannt (falls vorhanden)	Leitungsabsicherung wechseln
Spannung liegt an, aber Kompressor läuft nicht	Umgebungstemperatur zu hoch	–
	Be- und Entlüftung nicht ausreichend	Kühlschrank umstellen
	Kondensator verschmutzt	Kondensator reinigen
Elektrische Unterbrechung im Kompressor zwischen den Stiften	Kompressor defekt	Kompressor wechseln

Kühlleistung lässt nach, Innentemperatur steigt

Störung	Mögliche Ursache	Lösung
Kompressor läuft lange/dauernd	Umgebungstemperatur zu hoch	–
	Be- und Entlüftung nicht ausreichend	Kühlschrank umstellen
	Kondensator verschmutzt	Kondensator reinigen
	Lüfter defekt	Lüfter wechseln
Kompressor läuft selten	Batteriekapazität erschöpft	Batterie laden

Ungewöhnliche Geräusche

Störung	Mögliche Ursache	Lösung
Lautes Brummen	Bauteil des Kältekreislaufes kann nicht frei schwingen (liegt an Wandung an)	Bauteil vorsichtig abbiegen
	Fremdkörper zwischen Kühlmaschine und Wand eingeklemmt	Fremdkörper entfernen
	Lüftergeräusch	–

13 Technische Daten

Alle Kühlschränke der MDC-Serie haben folgende Merkmale:

- Anschlussspannung 12 V $\overline{=}$ oder 24 V $\overline{=}$
- Kühltemperaturbereich Kühlfach: +10 °C bis +2 °C
- Kühltemperaturbereich Gefrierfach: 0 °C bis -18 °C
- Luftfeuchtigkeit: maximal 90 %
- Dauer-Krängung: maximal 30°



- Prüfung/Zertifikate:
konform gemäß ErP/EuP-Richtlinie

	MDC065 MDC065K	MDC090 MDC090K
Inhalt:	64 l	90 l
davon Gefrierfach:	10 l	10 l
Mittlere Leistungsaufnahme:	45 W	
Kühlmittelmenge:	60 g	
CO ₂ -Äquivalent:	0,086 t	
Treibhauspotential (GWP):	1430	
Abmessungen (B x H x T) in mm:	485 x 673 x 475	485 x 830 x 475
Gewicht:	20 kg	28 kg

Der Kühlkreis enthält R-134a.

Enthält fluoridierte Treibhausgase

Hermetisch geschlossene Einrichtung

Veillez lire ce manuel attentivement avant de mettre l'appareil en service et conservez-le. En cas de passer le produit, veuillez le transmettre au nouvel acquéreur.

Table des matières

1	Explication des symboles	43
2	Consignes de sécurité	43
3	Usage conforme	45
4	Pièces fournies	45
5	Accessoires	46
6	Description technique	46
7	Installation et raccordement du réfrigérateur	47
8	Utilisation	51
9	Nettoyage et entretien	55
10	Garantie	55
11	Retraitement	55
12	Guide de dépannage	56
13	Caractéristiques techniques	59

1 Explication des symboles

**DANGER !**

Consigne de sécurité : le non-respect de ces consignes entraîne la mort ou de graves blessures.

**AVERTISSEMENT !**

Consigne de sécurité : le non-respect de ces consignes peut entraîner la mort ou de graves blessures.

**ATTENTION !**

Consigne de sécurité : le non-respect de ces consignes peut entraîner des blessures.

**AVIS !**

Le non-respect de ces consignes peut entraîner des dommages matériels et des dysfonctionnements du produit.

**REMARQUE**

Informations complémentaires sur l'utilisation du produit.

2 Consignes de sécurité

Le fabricant décline toute responsabilité pour des dommages dans les cas suivants :

- des défauts de montage ou de raccordement
- des influences mécaniques et des surtensions ayant endommagé le matériel
- des modifications apportées au produit sans autorisation explicite de la part du fabricant
- une utilisation différente de celle décrite dans la notice

2.1 Sécurité générale

**DANGER !**

- **Danger de mort !**

En cas d'utilisation sur des bateaux : veillez à ce que votre alimentation électrique soit sécurisée par un disjoncteur différentiel si l'appareil est branché sur le secteur !

**AVERTISSEMENT !**

- Avant de mettre l'appareil en service, vérifiez que la tension de service et la tension de la batterie sont identiques (voir plaque signalétique).
- Si le câble de raccordement est endommagé, vous devez le remplacer afin d'éviter tout danger. Ne remplacez un câble de raccordement endommagé que par un câble de raccordement de même type et de même spécification.
- Seul un spécialiste doit procéder à l'installation dans des endroits humides.
- Seul un personnel qualifié est habilité à effectuer des réparations sur cet appareil. Toute réparation mal effectuée risquerait d'entraîner de sérieux dangers.
Si des réparations sont nécessaires, adressez-vous au service après-vente.
- **Les appareils électriques ne sont pas des jouets pour enfants !**
Placez et utilisez l'appareil hors de la portée des enfants.
- Ne laissez pas des personnes (enfants compris) incapables d'utiliser le produit de manière sûre, en raison de déficiences physiques, sensorielles ou mentales ou de leur manque d'expérience ou de connaissances, utiliser ce produit sans surveillance.
- Les aliments ne peuvent être conservés que dans leurs emballages originaux ou dans des récipients appropriés.
- Ne stockez aucune substance explosive comme p. ex. des aérosols contenant des agents propulseurs dans l'appareil.

**AVIS !**

- Ne jamais ouvrir le circuit frigorifique.
- Installez l'appareil dans un endroit sec et à l'abri des éclaboussures d'eau.
- Ne placez pas l'appareil près de flammes ou d'autres sources de chaleur (chauffage, rayons solaires, fours à gaz, etc.).
- Lorsque vous raccordez votre appareil à une batterie, veuillez considérer le fait que cette batterie contient des acides !
- Assurez-vous que les fentes d'aération ne sont pas recouvertes.
- N'utilisez pas le réfrigérateur pour le transport de produits corrosifs ou de solvants !

2.2 Consignes de sécurité concernant l'utilisation de l'appareil



ATTENTION !

- Aucun appareil électrique ne doit être utilisé à l'intérieur du réfrigérateur !
- Dégivrez l'appareil en temps utile, afin d'économiser de l'énergie.
- Lorsque vous raccordez l'appareil à une batterie, assurez-vous que les aliments ne soient pas en contact avec les acides de la batterie.
- Protégez l'appareil de la pluie et de l'humidité.



REMARQUE

- Débranchez l'appareil uniquement lorsque vous savez que vous ne l'utiliserez pas pendant une période prolongée.
- Débranchez l'appareil et les autres consommateurs d'énergie de la batterie avant de recharger la batterie avec un chargeur rapide. Les surtensions peuvent endommager l'électronique des appareils.

3 Usage conforme

Le réfrigérateur est conçu pour la réfrigération d'aliments et le stockage d'aliments surgelés. L'appareil peut également être utilisé sur des bateaux.



ATTENTION ! Risque pour la santé !

Veillez vérifier si la puissance frigorifique de l'appareil correspond à la température de conservation recommandée pour les aliments ou les médicaments que vous souhaitez conserver au frais.

4 Pièces fournies

Quantité	Désignation
1	Réfrigérateur
1	Set de montage pour modifier le côté d'ouverture de la porte
1	Notice d'utilisation

5 Accessoires

Si vous souhaitez faire fonctionner votre réfrigérateur sur secteur à courant alternatif 230 V, veuillez utiliser l'un des redresseurs suivants :

Disponible en accessoires (non compris dans la livraison) :

Désignation	N° d'article
Redresseur CoolPower EPS100W	9600000440
Redresseur CoolPower MPS35	9600000445

6 Description technique

Les réfrigérateurs CoolMatic de la série MDC sont conçus pour une utilisation sous tension de 12 V ou 24 V et peuvent donc être utilisés p. ex. en camping ou sur des bateaux. De plus, le redresseur CoolPower EPS 100W et MPS 35 permet de le raccorder à la tension du secteur 230 V.

Le réfrigérateur permet de réfrigérer et tenir au frais des denrées alimentaires de +2 °C à +10 °C. Il est possible de stocker des produits congelés à des températures de -18 °C à 0 °C dans le compartiment congélateur.

Un régulateur de température permet de sélectionner la température désirée.

Tous les matériaux utilisés lors de la construction du réfrigérateur n'altèrent pas la qualité des aliments. Le circuit de refroidissement ne requiert pas d'entretien.

En cas d'utilisation sur les bateaux, le réfrigérateur peut supporter un angle de gîte permanent de 30°.

6.1 Éléments de commande et d'affichage

N° dans fig. 1 , page 3	Explication
1	Régulateur de température
2	Témoin lumineux LED (vert) de fonctionnement
3	Témoin lumineux LED (rouge) de code d'erreur
4	Fente de ventilation (MDC090/MDC090K uniquement)

Codes d'erreur sur LED code d'erreur, voir chapitre « Guide de dépannage », page 56.

7 Installation et raccordement du réfrigérateur

7.1 Installation du réfrigérateur

Cet appareil est conçu pour une utilisation à une température variant entre +16 °C et + 32 °C. S'il fonctionne de manière continue, l'humidité de l'air ne doit pas dépasser 90 %.

Installez l'appareil dans un endroit sec et protégé. Évitez de placer l'appareil à proximité de sources de chaleur, comme des radiateurs, des fours à gaz, des conduites d'eau chaude, etc. Ne pas laisser l'appareil en plein soleil.

Le réfrigérateur doit être installé de manière à ce que l'air réchauffé puisse être facilement évacué. Veillez à ce que la ventilation soit suffisante (fig. **2**, page 4).

N° dans fig. 2 , page 4	Signification
1	Air sortant chaud
2	Air entrant froid

7.2 Système de verrouillage

Le réfrigérateur dispose d'un mécanisme de verrouillage servant également de fixation de transport. Les réglages suivants sont possibles :

- Position 1 (fixation de transport) (fig. **3** 1, page 4) : la porte est fermée et fixée. Pour ouvrir la porte, tournez la barre sur la position 2.
- Position 2 (retrait de la fixation de transport) (fig. **3** 2, page 4) : la porte peut être ouverte.
- Position 3 (réglage « VENT ») (fig. **3** 3, page 4) : la porte est légèrement ouverte, mais toutefois fixée. Réglez cette position si par ex. vous devez éteindre l'appareil pour une durée relativement longue.

7.3 Modifier le côté d'ouverture de la porte

Vous pouvez modifier le côté d'ouverture de la porte, de sorte que la porte s'ouvre vers la gauche plutôt que vers la droite.

Procédez de la manière suivante pour modifier le côté d'ouverture de la porte (fig. **4**, page 5) :

- Retirez la butée supérieure de la porte (fig. **4** 1, page 5).
- Soulevez la porte avec précaution.
- Retirez la tige filetée (fig. **4** 2, page 5).
- Retirez les crochets de verrouillage (fig. **4** 3, page 5) de la barre.
- Retirez la plaque de verrouillage (fig. **4** 4, page 5) et montez-la sur le côté opposé.
- Démontez la barre en la tirant vers le bas et posez-la sur le côté opposé.
- Resserrez les crochets de verrouillage (fig. **4** 3, page 5) sur la barre.
- Démontez les supports de verrouillage (fig. **4** 5, page 5) en haut et en bas, à gauche.
- Démontez les butées de la porte (fig. **4** 1, page 5) en haut et en bas, à droite.
- Serrez les butées de la porte (fig. **4** 1, page 5) sur le côté gauche, en haut et en bas.
- Serrez les supports de verrouillage (fig. **4** 5, page 5) sur le côté droit, en haut et en bas.

7.4 Changement de la façade

Vous pouvez changer la façade de votre réfrigérateur et ainsi la personnaliser à votre goût.

Pour changer la façade, veuillez procéder comme suit :

- Desserrez les vis 1 et 3 (fig. **5** 1 et 3, page 5).
- Démontez les éléments 2 et 4 (fig. **5** 2 et 4, page 5).
- Démontez l'ancienne façade en la faisant glisser vers le bas hors du cadre de la porte.
Attention ! Risque de blessures !
- Installez la nouvelle façade dans le cadre de la porte.
- Remontez les éléments 2 et 4 (fig. **5** 2 et 4, page 5) sur l'appareil.
- Resserrez les vis 1 et 3 (fig. **5** 1 et 3, page 5).

7.5 Raccordement du réfrigérateur

Pour le raccordement électrique, veuillez vous conformer au schéma de raccordement (fig. **6**, page 5).

Couleurs des câbles :

N° dans fig. 6 , page 5	Signification
sw	noir
rt	rouge

Raccordement à une batterie

Le réfrigérateur peut fonctionner sur tension continue de 12 V ou de 24 V.



AVIS !

Pour éviter des pertes de tension et de puissance frigorifique, le câble doit être le plus court possible et ne peut être interrompu. Evitez donc de placer des interrupteurs, des connecteurs ou des répartiteurs supplémentaires.

- A l'aide de fig. **7**, page 6, déterminez le diamètre nécessaire du câble en fonction de sa longueur.

Légende de fig. **7**, page 6

Axe des coordonnées	Signification	Unité
l	Longueur du câble	m
∅	Diamètre du câble	mm ²



AVIS !

Tenez compte de la polarité.

- Avant de mettre l'appareil en service, vérifiez que la tension de service et la tension de la batterie sont identiques (voir plaque signalétique).
- Raccordez votre réfrigérateur
- le plus directement possible aux pôles de la batterie ou
 - à une prise femelle protégée par un fusible d'au moins 15 A (pour une tension de 12 V) ou 7,5 A (pour une tension de 24 V)



AVIS !

Débranchez l'appareil et les autres consommateurs d'énergie de la batterie avant de recharger la batterie avec un chargeur rapide. Les surtensions peuvent endommager l'électronique des appareils.

Le réfrigérateur est équipé d'une protection électronique contre les inversions de polarité en cas de raccordement à une batterie et contre les court-circuits. Pour protéger la batterie, le réfrigérateur s'éteint automatiquement lorsque la tension n'est plus suffisante (voir tableau suivant).

	12 V	24 V
Tension d'arrêt	10,4 V	22,8 V
Tension de remise en marche	11,7 V	24,2 V

Raccordement à une tension du secteur de 230 V



DANGER !

- **Danger de mort !**

Ne vous approchez pas de prises ou de commutateurs lorsque vous avez les mains mouillées ou les pieds dans l'eau.

- Si vous raccordez votre réfrigérateur à bord d'un bateau à la tension 230 V du secteur par l'intermédiaire d'une prise de quai, vous devez dans tous les cas brancher un disjoncteur différentiel entre le secteur 230 V et le réfrigérateur.

Veillez prendre conseil auprès d'un spécialiste.

- Pour faire fonctionner le réfrigérateur à une tension de secteur 230 V, utilisez le redresseur CoolPower EPS100W ou MPS35.

8 Utilisation



REMARQUE

Avant de mettre en service le réfrigérateur neuf, vous devez, pour des raisons d'hygiène, la nettoyer à l'intérieur et à l'extérieur à l'aide d'un tissu humide (voir aussi chapitre « Nettoyage et entretien », page 55).

8.1 Comment économiser de l'énergie ?

- Choisissez un emplacement bien aéré et à l'abri du soleil.
- Laissez refroidir les aliments chauds avant de les déposer dans le réfrigérateur.
- Ne pas ouvrir le réfrigérateur plus souvent que nécessaire.
- Ne laissez pas la porte ouverte plus longtemps que nécessaire.
- Dégivrez le réfrigérateur dès qu'une couche de glace s'est formée.
- Evitez une température intérieure inutilement basse.
- Nettoyez régulièrement le condensateur pour enlever la poussière et les salissures.

8.2 Utilisation du réfrigérateur

Le réfrigérateur permet la conservation des aliments frais. De plus, vous pouvez conserver des aliments congelés dans le compartiment congélateur.



AVIS !

Veillez à ce que les boissons ou aliments placés dans des contenants en verre ne soient pas soumis à des températures trop basses. En gelant, les boissons et aliments liquides augmentent de volume. Les contenants en verre risquent alors de se casser.

- Allumez le réfrigérateur en tournant le régulateur (fig. **1** A, page 3) vers la droite.



REMARQUE

Après la mise en marche, le réfrigérateur met environ 60 s avant que le compresseur ne se mette en marche.



AVIS !

Veillez à ne déposer dans le réfrigérateur que des objets ou des aliments qui peuvent être réfrigérés ou congelés à la température sélectionnée.

Réglage de la température

Vous pouvez régler la température continuellement à l'aide du régulateur. Le régulateur de température intégré régule la température comme suit :

- 1 (vers la gauche) = plus haute température de réglage
- 7 (vers la droite) = plus basse température de réglage



REMARQUE

La puissance frigorifique peut être influencée par

- la température ambiante,
- la quantité des aliments à conserver,
- la fréquence de l'ouverture de la porte,
- la ventilation adéquate.

Conservation des aliments

Vous pouvez conserver des aliments dans le réfrigérateur. Normalement, la durée de conservation des aliments est indiquée sur l'emballage.



AVIS !

Ne conservez pas d'aliments **chauds** dans le réfrigérateur.
Ne placez pas de conteneurs en verre remplis de liquides dans le compartiment congélateur.



REMARQUE

Conservez les aliments qui ont tendance à absorber les odeurs et les arômes, ainsi que les liquides et les produits à forte teneur en alcool dans des conteneurs hermétiques.

Le compartiment réfrigérateur se répartit en plusieurs zones qui présentent différentes températures :

- Les zones les plus froides se trouvent directement au fond de l'appareil, près de la paroi arrière.
- Veuillez respecter les indications relatives à la température et à la péremption figurant sur les emballages des aliments.
- Veuillez respecter les consignes suivantes pour la conservation :
 - Ne recongelez jamais un produit décongelé, consommez-le au plus vite.
 - Enveloppez les aliments dans une feuille d'aluminium ou un film plastique et placez-les dans un conteneur à couvercle. De cette façon, les arômes, la substance et la fraîcheur se conservent mieux.

Sécurisation de la porte du réfrigérateur

Vous pouvez sécuriser la porte du réfrigérateur, par ex. contre une ouverture involontaire.

- Réglez le mécanisme de verrouillage situé sur la partie supérieure de la porte sur la position 1 (fig. **3** 1, page 4).

Dégivrage du réfrigérateur

L'humidité de l'air peut se condenser sous forme de givre au niveau de l'évaporateur ou à l'intérieur du réfrigérateur et diminuer ainsi sa puissance frigorifique. Veillez donc à dégivrer l'appareil à temps.



AVIS !

N'utilisez jamais d'outils durs ou pointus pour enlever les couches de glace ou pour détacher des objets pris dans le givre.

Procédez de la manière suivante pour dégivrer le réfrigérateur :

- Retirez les aliments.
- Placez-les éventuellement dans un autre réfrigérateur, pour qu'ils restent froids.
- Placez le régulateur sur « 0 ».
- Laissez la porte ouverte.
- Essuyez l'eau provenant du dégivrage ou videz le récipient s'il est à disposition. Si votre appareil est équipé d'un dispositif d'écoulement pour l'eau de dégivrage, laissez l'eau s'écouler par celui-ci.

Extinction du réfrigérateur et mise hors service

Lorsque vous voulez mettre le réfrigérateur hors service pendant une période prolongée, procédez de la façon suivante :

- Placez le régulateur sur le niveau « 0 ».
- Débranchez le câble de raccordement de la batterie ou débranchez la prise de la ligne de courant continu en la retirant du redresseur.
- Nettoyez le réfrigérateur (voir chapitre « Nettoyage et entretien », page 55).
- Laissez le couvercle ou la porte ouverts afin d'éviter la formation d'odeurs.
- Réglez le verrouillage sur la position « VENT » (fig. **3** 3, page 4). Vous évitez ainsi la formation d'odeurs.

9 Nettoyage et entretien



AVIS !

- N'utilisez pas de produits de lavage abrasifs ou d'objets durs pour le nettoyage, car ceux-ci pourraient endommager l'appareil.
- N'utilisez jamais de brosses, d'éponges abrasives ou d'outils durs ou pointus pour enlever les couches de glace ou pour détacher des objets pris dans le givre.

- Nettoyez le réfrigérateur régulièrement et dès qu'il est sale, avec un chiffon humide.
- Veillez à ce que de l'eau ne goutte pas sur les joints. Ceci peut endommager l'électronique.
- Essuyez le réfrigérateur avec un chiffon après l'avoir nettoyé.

10 Garantie

Le délai légal de garantie s'applique. Si le produit s'avérait défectueux, veuillez vous adresser à la filiale du fabricant située dans votre pays (voir adresses au verso du présent manuel) ou à votre revendeur spécialisé.

Veillez y joindre les documents suivants pour la gestion des réparations et de la garantie :

- une copie de la facture avec la date d'achat,
- le motif de la réclamation ou une description du dysfonctionnement.

11 Retraitement



AVIS !

Lors de l'élimination, veillez à ce que l'appareil ne soit pas surchauffé, car la mousse isolante a été préparée avec du gaz inflammable.

- Jetez les emballages dans les conteneurs de déchets recyclables prévus à cet effet.



Lorsque vous mettez votre produit définitivement hors service, informez-vous auprès du centre de recyclage le plus proche ou auprès de votre revendeur spécialisé sur les prescriptions relatives au retraitement des déchets.

12 Guide de dépannage

Signification du témoin lumineux LED rouge (fig. 1 2, page 3)

En cas de défaut de fonctionnement, la LED clignote plusieurs fois. Le nombre d'impulsions dépend du type de défaut.

Chaque clignotement dure un quart de seconde. Chaque série d'impulsions est suivie d'une pause. La séquence correspondant au défaut est répétée toutes les quatre secondes.

Nombre d'impulsions lumineuses	Erreur	Cause possible
1	Tension d'alimentation	La tension d'alimentation se trouve en dehors de la plage réglée.
2	Surintensité du ventilateur	Le ventilateur exige de l'unité électronique une intensité de plus d'1 A.
3	Le moteur ne démarre pas	Le rotor est coincé. La pression différentielle dans le système réfrigérant est trop élevée (> 5 bar).
4	Vitesse de rotation trop faible	Un système de refroidissement subissant des charges trop élevées empêche le moteur de tourner au régime minimum requis de 1850 tr/min.
5	Surtempérature de l'unité électronique	Si le système réfrigérant est trop sollicité ou atteint une température trop élevée, les composants électroniques chauffent trop.

Température intérieure trop basse sur le niveau « 1 » du régulateur

Dysfonctionnement	Cause possible	Solution
Le compresseur fonctionne en permanence	Thermostat défectueux	Changer le thermostat
Longue durée de fonctionnement du compresseur	Grandes quantités de givre dans le compartiment congélateur	–

Le compresseur ne fonctionne pas (raccordement sur batterie)

Dysfonctionnement	Cause possible	Solution
$U_{\text{Bornes}} = 0\text{V}$	Interruption de la ligne de raccordement entre la batterie et l'électronique	Établir la connexion
	Commutateur principal défectueux (s'il fait partie des composants)	Changer l'interrupteur principal
	Le fusible supplémentaire de la ligne est grillé (s'il fait partie des composants)	Changer le fusible de la ligne
$U_{\text{Bornes}} \leq U_{\text{MARCHE}}$	Tension de batterie trop faible	Charger la batterie
Tentative de démarrage avec $U_{\text{Bornes}} \leq U_{\text{ARRET}}$	Les câbles sont débranchés	Établir la connexion
	Mauvais contact (corrosion)	
	Capacité de batterie trop faible	Changement des piles
Tentative de démarrage avec $U_{\text{Bornes}} \geq U_{\text{MARCHE}}$	Section du câble trop petite	Changer le câble
	Température ambiante trop élevée	–
	Ventilation par aspiration et aération insuffisante	Déplacer l'appareil
Interruption électrique dans le compresseur entre les broches	Le condenseur est sale	Nettoyer le condenseur
	Compresseur défectueux	Changer le compresseur

U_{KL} Tension entre la borne positive et la borne négative de l'électronique

U_{MARCHE} Tension de démarrage de l'électronique

U_{ARRET} Tension d'arrêt de l'électronique

Le compresseur ne fonctionne pas (raccordement sur tension alternative)

Dysfonctionnement	Cause possible	Solution
Pas de tension	Interruption dans la ligne électrique	Établir la connexion
	Commutateur principal défectueux (s'il fait partie des composants)	Changer l'interrupteur principal
	Le fusible supplémentaire de la ligne est grillé (s'il fait partie des composants)	Changer le fusible de la ligne
Il y a une tension mais le compresseur ne fonctionne pas	Température ambiante trop élevée	–
	Ventilation par aspiration et aération insuffisante	Déplacer l'appareil
	Le condenseur est sale	Nettoyer le condenseur
Interruption électrique dans le compresseur entre les broches	Compresseur défectueux	Changer le compresseur

Diminution de la puissance frigorifique, augmentation de la température intérieure

Dysfonctionnement	Cause possible	Solution
Longue durée de fonctionnement / fonctionnement continu du compresseur	Température ambiante trop élevée	–
	Ventilation par aspiration et aération insuffisante	Déplacer l'appareil
	Le condenseur est sale	Nettoyer le condenseur
	Ventilateur défectueux	Changer le ventilateur
Le compresseur fonctionne rarement	Batterie à plat	Charger la batterie

Bruits inhabituels

Dysfonctionnement	Cause possible	Solution
Fort ronflement	Les mouvements d'un élément du circuit de refroidissement sont bloqués (l'élément est coincé contre la paroi)	Redresser l'élément avec précaution
	Corps étranger coincé entre l'unité de réfrigération et la paroi	Retirer le corps étranger
	Le ventilateur fait du bruit	–

13 Caractéristiques techniques

Tous les réfrigérateurs de la série MDC ont les caractéristiques suivantes :

- Tension de raccordement 12 V $\overline{=}$ ou 24 V $\overline{=}$
- Plage de température de refroidissement du compartiment réfrigérant : +10 °C à +2 °C
- Plage de température de refroidissement du compartiment congélation : 0 °C à -18 °C
- Humidité : 90 % maximum
- Angle de gîte permanent : 30° maximum

- Contrôle/certificats :   conforme à la directive ErP/EuP

	MDC065 MDC065K	MDC090 MDC090K
Capacité :	64 l	90 l
Dont compartiment congélateur :	10 l	10 l
Puissance moyenne absorbée :	45 W	
Quantité de fluide frigorigène :	60 g	
Équivalent CO ₂ :	0,086 t	
Potentiel d'effet de serre (GWP) :	1430	
Dimensions (l x h x p) en mm :	485 x 673 x 475	485 x 830 x 475
Poids :	20 kg	28 kg

Le circuit de refroidissement contient du R-134a.

Contient des gaz à effet de serre fluorés

Équipement hermétiquement scellé

Lees deze handleiding voor de ingebruikneming zorgvuldig door en bewaar hem. Geef de handleiding bij het doorgeven van het product aan de gebruiker.

Inhoudsopgave

1	Verklaring van de symbolen	62
2	Veiligheidsinstructies	62
3	Gebruik volgens de voorschriften	64
4	Omvang van de levering	64
5	Toebehoren.	65
6	Technische beschrijving	65
7	Koelkast opstellen en aansluiten	66
8	Bediening	70
9	Reiniging en onderhoud.	74
10	Garantie.	74
11	Afvoer	74
12	Storingen verhelpen	75
13	Technische gegevens.	78

1 Verklaring van de symbolen

**GEVAAR!**

Veiligheidsaanwijzing: Het niet naleven leidt tot overlijden of ernstig letsel.

**WAARSCHUWING!**

Veiligheidsaanwijzing: Het niet naleven kan leiden tot overlijden of ernstig letsel.

**VOORZICHTIG!**

Veiligheidsaanwijzing: Het niet naleven kan leiden tot letsel.

**LET OP!**

Het niet naleven ervan kan leiden tot materiële schade en de werking van het product beperken.

**INSTRUCTIE**

Aanvullende informatie voor het bedienen van het product.

2 Veiligheidsinstructies

De fabrikant kan in de volgende gevallen niet aansprakelijk worden gesteld voor schade:

- montage- of aansluitfouten
- beschadiging van het product door mechanische invloeden en overspanningen
- veranderingen aan het product zonder uitdrukkelijke toestemming van de fabrikant
- gebruik voor andere dan de in de handleiding beschreven toepassingen

2.1 Algemene veiligheid

**GEVAAR!**

- **Levensgevaar!**

Bij gebruik op boten: Als uw toestel op het stroomnet is aangesloten, dient u er absoluut voor te zorgen dat de stroomtoevoer via een aardlekschakelaar beveiligd is!

**WAARSCHUWING!**

- Controleer voor ingebruikneming van het toestel, of de bedrijfsspanning en de accuspanning overeenkomen (zie typeplaatje).
- Als de aansluitkabel is beschadigd, moet deze worden vervangen om gevaren te voorkomen. Vervang een beschadigde aansluitkabel alleen door een aansluitkabel van hetzelfde type en met dezelfde specificatie.
- Laat installaties in vochtige ruimtes alleen door een vakman plaatsen.
- Reparaties aan dit toestel mogen uitsluitend door vaklui uitgevoerd worden. Door ondeskundige reparaties kunnen grote gevaren ontstaan.
Richt u wanneer een reparatie nodig is tot de klantenservice.
- **Elektrische toestellen zijn geen speelgoed!**
Bewaar en gebruik het toestel buiten het bereik van kinderen.
- Personen (ook kinderen) die door hun fysieke, sensorische of geestelijke vaardigheden, of hun onervarenheid of onwetendheid niet in staat zijn om het product veilig te gebruiken, mogen dit niet zonder toezicht of instructie door een verantwoordelijke persoon doen.
- Levensmiddelen mogen alleen in de originele verpakkingen of geschikte bakken worden opgeslagen.
- Bewaar geen explosiegevaarlijke stoffen zoals bijvoorbeeld spuitbussen met drijfgas in het toestel.

**LET OP!**

- Open in geen geval het koelcircuit.
- Stel het toestel op een droge en tegen spatwater beschermde plaats op.
- Zet het toestel niet in de buurt van open vlammen of andere warmtebronnen (verwarming, sterke zonnestraling, gasovens enz.).
- Als u uw koeltoestel op een accu aansluit, denk er dan aan, dat de accu zuur bevat!
- Let erop dat de ventilatiesleuven niet worden afgedekt.
- Het koeltoestel is niet geschikt voor het transport van bijtende of oplosmiddelhoudende stoffen!

2.2 Veiligheid bij het gebruik van het toestel



VOORZICHTIG!

- In de binnenruimte van de koelkast mogen geen elektrische toestellen worden geplaatst.
- Als u het toestel aan een accu aansluit, zorg er dan voor, dat levensmiddelen niet met accuzuur in aanraking komen.
- Bescherm het toestel tegen regen en vocht.
- Koppel het toestel en andere verbruikers van de accu los, voordat u de accu met een snellader oplaadt.
Overspanningen kunnen de elektronica van de toestellen beschadigen.



INSTRUCTIE

- Ontdooi het toestel op tijd, om energie te sparen.
- **Instructie:**
Koppel het toestel van de accu los als u het lang niet gebruikt.

3 Gebruik volgens de voorschriften

De koelkast is geschikt voor het koelen van levensmiddelen en voor het bewaren van diepgevroren levensmiddelen. Het toestel is ook geschikt voor gebruik op vaartuigen.



VOORZICHTIG! Gevaar voor de gezondheid!

Controleer of het koelvermogen van het toestel voldoet aan de eisen van de levensmiddelen of geneesmiddelen die u wilt koelen.

4 Omvang van de levering

Aantal	Omschrijving
1	Koelkast
1	Montageset om de deuraanslag te wijzigen
1	Gebruiksaanwijzing

5 Toebehoren

Indien u uw koeltoestel op het 230-V-wisselstroomnet wilt gebruiken, gebruik dan een van de volgende gelijkrichters.

Ale toebehoren verkrijgbaar (niet in de leveringsomvang inbegrepen):

Omschrijving	Artikel-nr.
CoolPower EPS100W gelijkrichter	9600000440
CoolPower MPS35 gelijkrichter	9600000445

6 Technische beschrijving

CoolMatic koelkasten van de MDC-serie zijn geschikt voor het gebruik met een gelijkspanning van 12 V of 24 V en kunnen zodoende bijv. ook bij camperen of op boten worden gebruikt. Bovendien kunnen ze via de CoolPower gelijkrichter EPS100W en MPS35 op een 230-V-net worden aangesloten.

koelkast kan warden tot +2 °C tot +10 °C afkoelen en koel houden. In het vriesvak kunnen diepgevroren waren bij -18 °C tot 0 °C worden bewaard.

Via een temperatuurregelaar kan de gewenste temperatuur traploos ingesteld worden.

Alle in de koelkast gebruikte materialen zijn geschikt voor levensmiddelen. Het koelcircuit is onderhoudsvrij.

Bij het gebruik op boten kan de koelkast aan een permanente helling van 30° worden blootgesteld.

6.1 Bedienings- en indicatie-elementen

Nr. in afb. 1 , pagina 3	Verklaring
1	Temperatuurregelaar
2	Led bedrijfsindicatie (groen)
3	Led foutcode (rood)
4	Ventilatiesleuf (alleen MDC090/MDC090K)

Storingcodes van de storingcode-LED zie hoofdstuk „Storingen verhelpen” op pagina 75.

7 Koelkast opstellen en aansluiten

7.1 Koeltoestel opstellen

Het toestel is bestemd voor omgevingstemperaturen tussen +16 °C en +32 °C. Bij continu bedrijf mag de luchtvochtigheid niet boven 90 % liggen.

Stel het koeltoestel op een droge, beschermde plaats op. Stel het toestel niet naast warmtebronnen zoals verwarmingen, gasovens, warmwaterleidingen etc. op. Plaats het toestel niet op een plek waar de zon er lang en direct op schijnt.

Het koeltoestel moet zo staan, dat de verwarmde lucht goed kan wegstromen. Zorg daarom voor voldoende ventilatie (afb. **2**, pagina 4).

Nr. in afb. 2 , pagina 4	Verklaring
1	Warme afvoerlucht
2	Koude toevoerlucht

7.2 Sluitingssysteem

Het koeltoestel beschikt over een vergrendelingsmechanisme, dat ook als transportbeveiliging dient. De volgende instellingen zijn mogelijk:

- positie 1 (transportbeveiliging) (afb. **3** 1, pagina 4): de deur is gesloten en vergrendeld. Om de deur te openen, draait u de grendel in positie 2.
- positie 2 (transportbeveiliging losmaken) (afb. **3** 2, pagina 4): de deur kan worden geopend.
- positie 3 („VENT“-stand) (afb. **3** 3, pagina 4): de deur is iets geopend, maar wel vastgezet. Gebruik deze positie als u bijv. het toestel langere tijd buiten bedrijf stelt.

7.3 Deuraanslag wijzigen

U kunt de aanslag van de deur wijzigen, zodat de deur naar links in plaats van naar rechts opengaat.

Ga als volgt te werk om de deuraanslag te wijzigen (afb. **4**, pagina 5):

- Verwijder de bovenste deuraanslag (afb. **4** 1, pagina 5).
- Til de deur er voorzichtig uit.
- Draai de schroefdraadpennen los (afb. **4** 2, pagina 5).
- Trek de afsluithaak (afb. **4** 3, pagina 5) van de stang.
- Verwijder de afsluitplaat (afb. **4** 4, pagina 5) en monteer deze aan de tegenoverliggende zijde.
- Trek de stang er langs de onderkant uit en breng deze op de tegenoverliggende zijde aan.
- Bevestig de afsluithaak (afb. **4** 3, pagina 5) weer op de stang.
- Demonteer de afsluithouders (afb. **4** 5, pagina 5) linksonder en -boven.
- Demonteer de deuraanslagen (afb. **4** 1, pagina 5) rechtsonder en -boven.
- Bevestig de deuraanslagen (afb. **4** 1, pagina 5) op de linkerkant boven en onder.
- Bevestig de afsluithouders (afb. **4** 5, pagina 5) op de rechterkant boven en onder.

7.4 Decoratieplaat vervangen

U kunt de decoratieplaat van uw koeltoestel vervangen en zo het uiterlijk aan uw wensen aanpassen.

Om de decoratieplaat te vervangen, gaat u als volgt te werk:

- Draai de schroeven 1 en 3 (afb. **5** 1 en 3, pagina 5) los.
- Demonteer de onderdelen 2 en 4 (afb. **5** 2 en 4, pagina 5).
- Trek de decoratieplaat langs de onderkant uit het deurframe.
Waarschuwing: gevaar voor verwonding!
- Breng de nieuwe decoratieplaat in het deurframe aan.
- Monteer de onderdelen 2 en 4 (afb. **5** 2 en 4, pagina 5) weer op het toestel.
- Draai de schroeven 1 en 3 (afb. **5** 1 en 3, pagina 5) weer vast.

7.5 Koeltoestel aansluiten

Neem voor de elektrische aansluiting ook het aansluitschema (afb. **6**, pagina 5) in acht.

Kabelkleuren:

Nr. in afb. 6 , pagina 5	Betekenis
sw	zwart
rt	rood

Op een accu aansluiten

Het koeltoestel kan met 12 V of met 24 V gelijkspanning gebruikt worden.



LET OP!

Om spannings- en vermogensverlies te vermijden, moet de kabel zo kort mogelijk zijn en mag de kabel niet onderbroken worden. Vermijd daarom extra schakelaars, stekkers of verdeelkasten.

- Bepaal de nodige kabeldiameter afhankelijk van de kabellengte aan de hand van afb. **7**, pagina 6.

Legenda bij afb. **7**, pagina 6

Coördinatenas	Betekenis	Eenheid
l	Kabellengte	m
∅	Kabeldiameter	mm ²



LET OP!

Neem de juiste polariteit in acht.

- Controleer voor ingebruikneming van het toestel, of de bedrijfsspanning en de accuspanning overeenkomen (zie typeplaatje).
- Sluit uw koeltoestel
 - zo direct mogelijk op de polen van de accu aan of
 - op een insteekplaats aan, die met minstens 15 A (bij 12 V) resp. 7,5 A (bij 24 V) is beveiligd.



LET OP!

Koppel het toestel en andere verbruikers van de accu los, voordat u de accu met een snellader oplaadt. Overspanningen kunnen de elektronica van de toestellen beschadigen.

Een elektronische beveiliging tegen verkeerd polen beschermt tegen het verkeerd polen bij de accu-aansluiting en kortsluiting. Voor de bescherming van de accu schakelt het koeltoestel automatisch uit, als de spanning niet meer voldoende is (zie de volgende tabel).

	12 V	24 V
Uitschakelspanning	10,4 V	22,8 V
Herinschakelspanning	11,7 V	24,2 V

Op een 230-V-net aansluiten



GEVAAR! Levensgevaar!

- Werk nooit met stekkers en schakelaars, als u natte handen heeft of met uw voeten op een natte ondergrond staat.
- Als u uw koeltoestel aan boord van een boot per landaansluiting aan het 230-V-net gebruikt, moet u in ieder geval een aardlekschakelaar tussen 230-V-net en koeltoestel schakelen.
Laat u door een vakman adviseren.

- Om het koeltoestel op het 230-V-net te gebruiken, gebruikt u de gelijkrichter CoolPower EPS100W of MPS35.

8 Bediening



INSTRUCTIE

Voordat u het nieuwe koeltoestel in gebruik neemt, moet u het om hygiënische redenen van binnen en van buiten reinigen met een vochtige doek (zie ook hoofdstuk „Reiniging en onderhoud” op pagina 74).

8.1 Tips om energie te sparen

- Kies een goed geventileerde en tegen zonnestralen beschermde plaats.
- Laat warme spijzen eerst afkoelen, voordat u ze in het koeltoestel legt.
- Open het koeltoestel niet vaker dan nodig.
- Laat de deur niet langer open staan dan nodig.
- Ontdooi het koeltoestel zodra er zich een ijslaag gevormd heeft.
- Vermijd een onnodig lage binnentemperatuur.
- Verwijder regelmatig stof en vuil van de condensator.

8.2 Koeltoestel gebruiken

Met de koelkast kunnen verse levensmiddelen worden geconserveerd. Bovendien kunt u in het vriesvak diepgevroren levensmiddelen conserveren.



LET OP!

Zorg ervoor dat drank of eten in glazen flessen/potten niet te sterk afkoelt.

Bij het bevriezen zetten drank of vloeibare voeding uit. Hierdoor kunnen de glazen flessen/potten kapot gaan.

- Schakel het koeltoestel in door de regelaar (afb. **1** A, pagina 3) naar rechts te draaien.



INSTRUCTIE

Na het inschakelen heeft het koeltoestel ongeveer 60 s nodig tot de compressor begint te lopen.



LET OP!

Zorg ervoor dat er zich enkel voorwerpen of waren in het koeltoestel bevinden die op de gekozen temperatuur gekoeld mogen worden.

Temperatuur instellen

U kunt de temperatuur traploos via de regelaar instellen. De geïntegreerde temperatuurregelaar regelt de temperatuur als volgt:

- 1 (aanslag links) = warmste instelling
- 7 (aanslag rechts) = koudste instelling



INSTRUCTIE

Het koelvermogen kan worden beïnvloed door

- de omgevingstemperatuur,
- de hoeveelheid levensmiddelen die geconserveerd dienen te worden,
- het aantal keren dat de deur wordt geopend,
- voldoende ventilatie.

Levensmiddelen conserveren

U kunt in het koelvak levensmiddelen conserveren. De conserveringstijd is doorgaans op de verpakking aangegeven.



LET OP!

Conserveer geen **warme** levensmiddelen in het koelvak. Zet geen glazen potten/flessen met vloeistoffen in het vriesvak.



INSTRUCTIE

Conserveer levensmiddelen, die snel geuren en smaken in zich opnemen, zoals vloeistoffen en producten met een hoog alcoholpercentage, in dichte potten/flessen/bakjes.

Het koelvak is in verschillende zones verdeeld, die verschillende temperaturen hebben:

- De koudere zones bevinden zich direct boven de bodem, dicht bij de achterwand.
 - Neem de gegevens m.b.t. temperatuur en houdbaarheid op de verpakkingen van de levensmiddelen in acht.
- Neem de volgende instructies bij het conserveren in acht:
- Vries producten, die aan het ontdooien zijn of ontdooid zijn, in geen geval opnieuw in, maar nuttig deze zo snel mogelijk.
 - Wikkel de levensmiddelen in aluminium- of polyethyleenfolies en stop ze in afsluitbare bakken met deksel. Daardoor worden de aroma's, de substantie en de versheid beter geconserveerd.

Koelkastdeur vergrendelen

U kunt de koelkastdeur bijv. tegen onbedoeld openen vergrendelen.

- Zet het vergrendelingsmechanisme op de bovenkant van de deur op positie 1 (afb. **3** 1, pagina 4).

Koeltoestel ontdooien

Luchtvochtigheid kan zich op de verdamper of in de binnenruimte van het koeltoestel als rijp afzetten, waardoor het koelvermogen verminderd wordt. Ontdooi het toestel tijdig.



LET OP!

Gebruik nooit hard of spits gereedschap voor het verwijderen van ijslagen of het losmaken van vastgevroren voorwerpen.

Ga als volgt te werk om het koeltoestel te ontdooien:

- Neem de waren eruit.
- Bewaar deze evt. in een ander koeltoestel zodat ze koud blijven.
- Zet de regelaar op „0”.
- Laat de deur open.
- Veeg het dooiwater weg of - indien voorhanden - leeg de opvangbak. Als uw toestel over een dooiwateruitloop beschikt, laat u het dooiwater hierlangs weglopen.

Koeltoestel uitschakelen en stilleggen

Als u het koeltoestel lange tijd wilt stilleggen, gaat u als volgt te werk:

- Draai de regelaar op stand „0”.
- Koppel de aansluitkabel van de accu los of trek de stekker van de gelijkstroomleiding uit de gelijkrichter.
- Reinig het koeltoestel (zie hoofdstuk „Reiniging en onderhoud” op pagina 74).
- Laat het deksel of de deur licht geopend ter voorkoming van geurvorming.
- Zet de vergrendeling op „VENT”-stand (afb. **3** 3, pagina 4). Zo verhindert u geurvorming.

9 Reiniging en onderhoud



LET OP!

- Gebruik voor het reinigen geen bijtende schoonmaakmiddelen of harde voorwerpen, het koeltoestel zou hierdoor beschadigd kunnen raken.
- Gebruik nooit borstels, krabbers of hard en spits gereedschap voor het verwijderen van ijslagen of het losmaken van vastgevroren voorwerpen.

- Reinig het koeltoestel regelmatig en als het vuil is met een vochtige doek.
- Let erop dat er geen water in de afdichtingen druppelt. Dit kan de elektronica beschadigen.
- Veeg het koeltoestel na het reinigen met een doek droog.

10 Garantie

De wettelijke garantieperiode is van toepassing. Als het product defect is, wendt u zich tot het filiaal van de fabrikant in uw land (adressen zie achterkant van de handleiding) of tot uw speciaalzaak.

Voor de afhandeling van de reparatie of garantie dient u de volgende documenten mee te sturen:

- een kopie van de factuur met datum van aankoop,
- reden van de klacht of een beschrijving van de storing.

11 Afvoer



LET OP!

Let er bij het afvoeren van de afgedankte apparaten op, dat het apparaat niet wordt oververhit. Het isolatieschuim is namelijk bewerkt met brandbaar gas.

- Laat het verpakkingsmateriaal indien mogelijk recyclen.



Als u het product definitief buiten bedrijf stelt, informeer dan bij het dichtstbijzijnde recyclingcentrum of uw speciaalzaak naar de betreffende afvoervoorschriften.

12 Storingen verhelpen

Betekenis van de rode led (afb. 1 2, pagina 3)

Bij functiestoringen licht de led meerdere keren op. Het aantal impulsen hangt af van het type storing.

Ieder oplichten duurt steeds een kwart seconde. Na de serie impulsen volgt een pauze. De reeks voor de storing wordt om de vier seconden herhaald.

Aantal impulsen	Storing	Mogelijke oorzaak
1	Voedingsspanning	De voedingsspanning ligt buiten het ingestelde bereik.
2	Overstroom ventilator	De ventilator belast de elektronische eenheid met meer dan 1 A.
3	Motor start niet	De rotor zit vast. Het drukverschil in het koelsysteem is te hoog (> 5 bar).
4	Te laag toerental	Bij te sterk belast koelsysteem kan het minimale toerental van de motor van 1850 min ⁻¹ niet worden aangehouden.
5	Te hoge temperatuur van de elektronische eenheid	Bij te sterk belast koelsysteem of te hoge temperatuur wordt de elektronische eenheid te heet.

Binnentemperatuur te laag in regelaarstand „1”

Storing	Mogelijke oorzaak	Oplossing
Compressor loopt permanent	Thermostaat defect	Thermostaat vervangen
Compressor loopt lang	In het vriesvak is een grotere hoeveelheid ingevroren	–

Compressor loopt niet (accuaansluiting)

Storing	Mogelijke oorzaak	Oplossing
$U_{KL} = 0\text{ V}$	Onderbreking in de aansluitkabel accu – elektronica	Verbinding tot stand brengen
	Hoofdschakelaar defect (indien aanwezig)	Hoofdschakelaar vervangen
	Extra leidingzekering doorgebrand (indien aanwezig)	Leidingzekering vervangen
$U_{KL} \leq U_{AAN}$	Accuspanning te laag	Accu laden
Startpoging met $U_{KL} \leq U_{UIT}$	Losse kabelverbinding Slecht contact (corrosie)	Verbinding tot stand brengen
	Accucapaciteit te gering	Accu vervangen
	Kabeldiameter te gering	Kabel vervangen
Startpoging met $U_{KL} \geq U_{AAN}$	Omgevingstemperatuur te hoog	–
	Be- en ontluchting niet voldoende	Koelkast anders zetten
	Condensator vuil	Condensator reinigen
Elektrische onder- breking in de compressor tussen de pennen	Compressor defect	Compressor vervangen

U_{KL} Spanning tussen plus- en minklem van de elektronica

U_{AAN} Inschakelspanning elektronica

U_{UIT} Uitschakelspanning elektronica

Compressor loopt niet (aansluiting op wisselspanning)

Storing	Mogelijke oorzaak	Oplossing
Geen spanning	Onderbreking in de aansluitkabel	Verbinding tot stand brengen
	Hoofdschakelaar defect (indien aanwezig)	Hoofdschakelaar vervangen
	Extra leidingzekering doorgebrand (indien aanwezig)	Leidingzekering vervangen
Spanning is voorhanden, maar compressor loopt niet	Omgevingstemperatuur te hoog	–
	Be- en ontluchting niet voldoende	Koelkast anders zetten
	Condensator vuil	Condensator reinigen
Elektrische onderbreking in de compressor tussen de pennen	Compressor defect	Compressor vervangen

Koelvermogen vermindert, binnentemperatuur stijgt

Storing	Mogelijke oorzaak	Oplossing
Compressor loopt lang/permanent	Omgevingstemperatuur te hoog	–
	Be- en ontluchting niet voldoende	Koelkast anders zetten
	Condensator vuil	Condensator reinigen
	Ventilator defect	Ventilator vervangen
Compressor loopt zelden	Accucapaciteit uitgeput	Accu laden

Abnormale geluiden

Storing	Mogelijke oorzaak	Oplossing
Luid brommen	Component van het koelcircuit kan niet vrij trillen (ligt tegen de wand aan)	Component voorzichtig buigen
	Vreemd voorwerp tussen koelmachine en wand geklemd	Vreemd voorwerp verwijderen
	Ventilatorgeluid	–

13 Technische gegevens

Alle koelkasten van de MDC-serie hebben de volgende kenmerken:

- Aansluitspanning 12 V $\overline{=}$ of 24 V $\overline{=}$
- Koeltemperatuurbereik koelvak: +10 °C tot +2 °C
- Koeltemperatuurbereik vriesvak: 0 °C tot -18 °C
- Luchtvochtigheid: maximaal 90 %
- Permanente helling: maximaal 30°



- Keurmerk/certificaten:
conform ERP/EUP-richtlijn

	MDC065 MDC065K	MDC090 MDC090K
Inhoud:	64 l	90 l
daarvan vriesvak:	10 l	10 l
Gemiddeld opgenomen vermogen:	45 W	
Koelmiddelhoeveelheid:	60 g	
CO ₂ -equivalent:	0,086 t	
Aardopwarmingsvermogen (GWP):	1430	
Afmetingen (b x h x d) in mm:	485 x 673 x 475	485 x 830 x 475
Gewicht:	20 kg	28 kg

Het koelcircuit bevat R-134a.

Bevat gefluoreerde broeikasgassen

Hermetisch afgesloten apparatuur



GERMANY**Dometic WAECO International GmbH**

Hollefeldstraße 63 · D-48282 Emsdetten

☎ +49 (0) 2572 879-195 · 📠 +49 (0) 2572 879-322

Mail: info@dometic-waeco.de

dometic.com

**AUSTRALIA****Dometic Australia Pty. Ltd.**1 John Duncan Court
Varsity Lakes QLD 4227
☎ 1800 212121

📠 +61 7 55076001

Mail: sales@dometic.com.au

AUSTRIA**Dometic Austria GmbH**Neudorferstraße 108
A-2353 Guntramsdorf
☎ +43 2236 908070
📠 +43 2236 90807060

Mail: info@dometic.at

BENELUX**Dometic Branch Office Belgium**Zincstraat 3
B-1500 Halle
☎ +32 2 3598040
📠 +32 2 3598050

Mail: info@dometic.be

BRAZIL**Dometic DO Brasil LTDA**Avenida Paulista 1754, conj. 111
SP 01310-920 Sao Paulo
☎ +55 11 3251 3352
📠 +55 11 3251 3362

Mail: info@dometic.com.br

DENMARK**Dometic Denmark A/S**Nordensvej 15, Taulov
DK-7000 Fredericia
☎ +45 75585966
📠 +45 75586307

Mail: info@dometic.dk

FINLAND**Dometic Finland OY**Mestarintie 4
FIN-01730 Vantaa
☎ +358 20 7413220
📠 +358 9 7593700

Mail: info@dometic.fi

FRANCE**Dometic SAS**ZA du Pré de la Dame Jeanne
B.P. 5
F-60128 Plailly
☎ +33 3 44633525
📠 +33 3 44633518

Mail : vehiculesdeloisirs@dometic.fr

HONG KONG**Dometic Group Asia Pacific**Suites 2207-11 · 22/F · Tower 1
The Gateway · 25 Canton Road,
Tsim Sha Tsui · Kowloon
☎ +852 2 4611386
📠 +852 2 4665553

Mail: info@waeco.com.hk

HUNGARY**Dometic Zrt. Sales Office**Kerékgyártó u. 5.
H-1147 Budapest
☎ +36 1 468 4400
📠 +36 1 468 4401

Mail: budapest@dometic.hu

ITALY**Dometic Italy S.r.l.**Via Virgilio, 3
I-47122 Forlì (FC)
☎ +39 0543 754901
📠 +39 0543 754983

Mail: vendite@dometic.it

JAPAN**Dometic KK**Maekawa-Shibaura, Bldg. 2
2-13-9 Shibaura Minato-ku
Tokyo 108-0023

☎ +81 3 5445 3333

📠 +81 3 5445 3339

Mail: info@dometic.jp

MEXICO**Dometic Mx, S. de R. L. de C. V.**Circuito Médicos No. 6 Local 1
Colonia Ciudad Satélite
CP 53100 Naucalpan de Juárez
Estado de México

☎ +52 55 5374 4108

📠 +52 55 5393 4683

Mail: info@dometic.com.mx

NETHERLANDS**Dometic Benelux B.V.**Ecustraat 3
NL-4879 NP Etten-Leur
☎ +31 76 5029000
📠 +31 76 5029019

Mail: info@dometic.nl

NEW ZEALAND**Dometic New Zealand Ltd.**PO Box 12011
Penrose
Auckland 1642
☎ +64 9 622 1490
📠 +64 9 622 1573

Mail: customerservices@dometic.co.nz

NORWAY**Dometic Norway AS**Østerøyveien 46
N-3232 Sandefjord
☎ +47 33428450
📠 +47 33428459

Mail: firmapost@dometic.no

POLAND**Dometic Poland Sp. z o.o.**Ul. Puławska 435A
PL-02-801 Warszawa
☎ +48 22 414 3200
📠 +48 22 414 3201

Mail: info@dometic.pl

PORTUGAL**Dometic Spain, S.L.**Branch Office em Portugal
Rot. de São Gonçalo nº 1 – Esc. 12
2775-399 Carcavelos
☎ +351 219 244 173
📠 +351 219 243 206

Mail: info@dometic.pt

RUSSIA**Dometic RUS LLC**Komsomolskaya square 6-1
RU-107140 Moscow
☎ +7 495 780 79 39
📠 +7 495 916 56 53

Mail: info@dometic.ru

SINGAPORE**Dometic Pte Ltd**18 Boon Lay Way 06-140 Trade Hub 21
Singapore 609966
☎ +65 6795 3177
📠 +65 6862 6620

Mail: dometic@dometic.com.sg

SLOVAKIA**Dometic Slovakia s.r.o. Sales Office Bratislava**Nádražná 34/A
900 28 Ivánka pri Dunaji
☎/📠 +421 2 45 529 680

Mail: bratislava@dometic.com

SOUTH AFRICA**Dometic (Pty) Ltd.****Regional Office****South Africa & Sub-Saharan Africa**2 Avalon Road
West Lake View Ext 11
Modderfontein 1645
Johannesburg

☎ +27 11 4504978

📠 +27 11 4504976

Mail: info@dometic.co.za

SPAIN**Dometic Spain S.L.**Avda. Sierra del Guadarrama, 16
E-28691 Villanueva de la Cañada
Madrid

☎ +34 91 833 60 89

📠 +34 900 100 245

Mail: info@dometic.es

SWEDEN**Dometic Scandinavia AB**Gustaf Melins gata 7
S-42131 Västra Frölunda
☎ +46 31 7341100
📠 +46 31 7341101

Mail: info@dometicgroup.se

SWITZERLAND**Dometic Switzerland AG**Riedackerstrasse 7a
CH-8153 Rümlang
☎ +41 44 8187171
📠 +41 44 8187191

Mail: info@dometic.ch

UNITED ARAB EMIRATES**Dometic Middle East FZCO**P. O. Box 17860
S-D 6, Jebel Ali Freezone
Dubai
☎ +971 4 883 3858
📠 +971 4 883 3868

Mail: info@dometic.ae

UNITED KINGDOM**Dometic UK Ltd.**Dometic House, The Brewery
Blandford St. Mary
Dorset DT11 9LS
☎ +44 344 626 0133
📠 +44 344 626 0143

Mail: customerservices@dometic.co.uk

USA**Dometic RV Division**1120 North Main Street
Elkhart, IN 46515
☎ +1 574-264-2131

4445101958 207.5924.19 03/2017