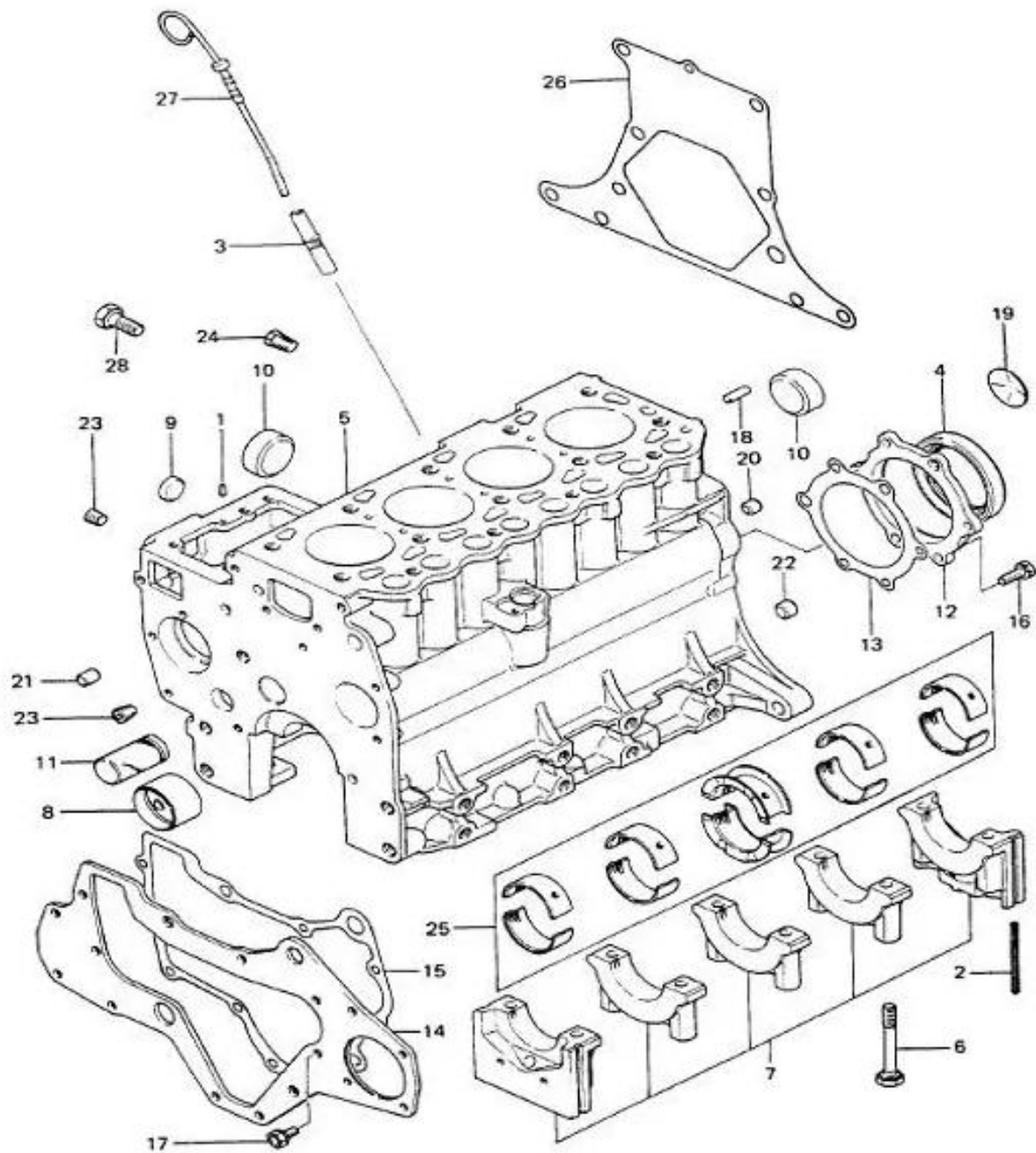
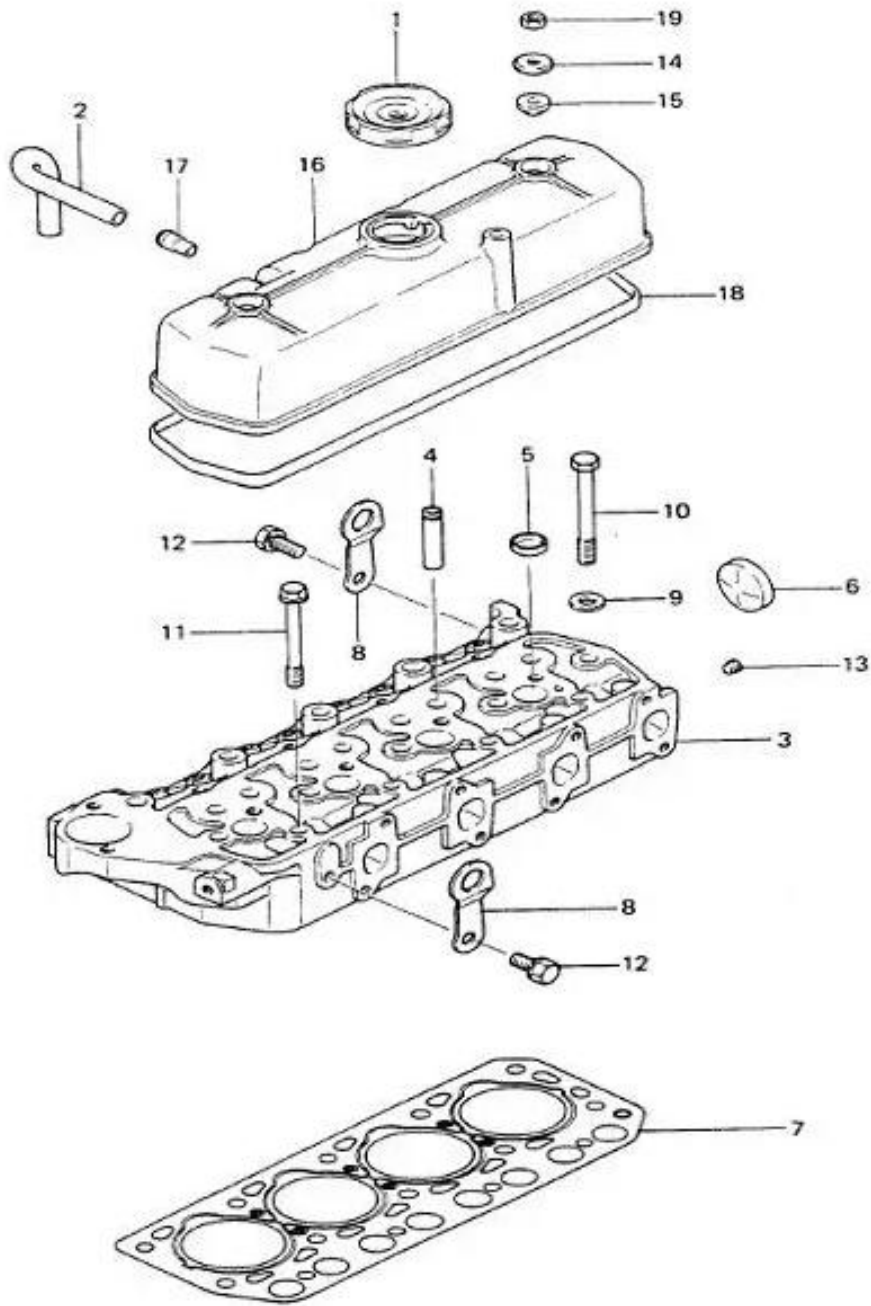
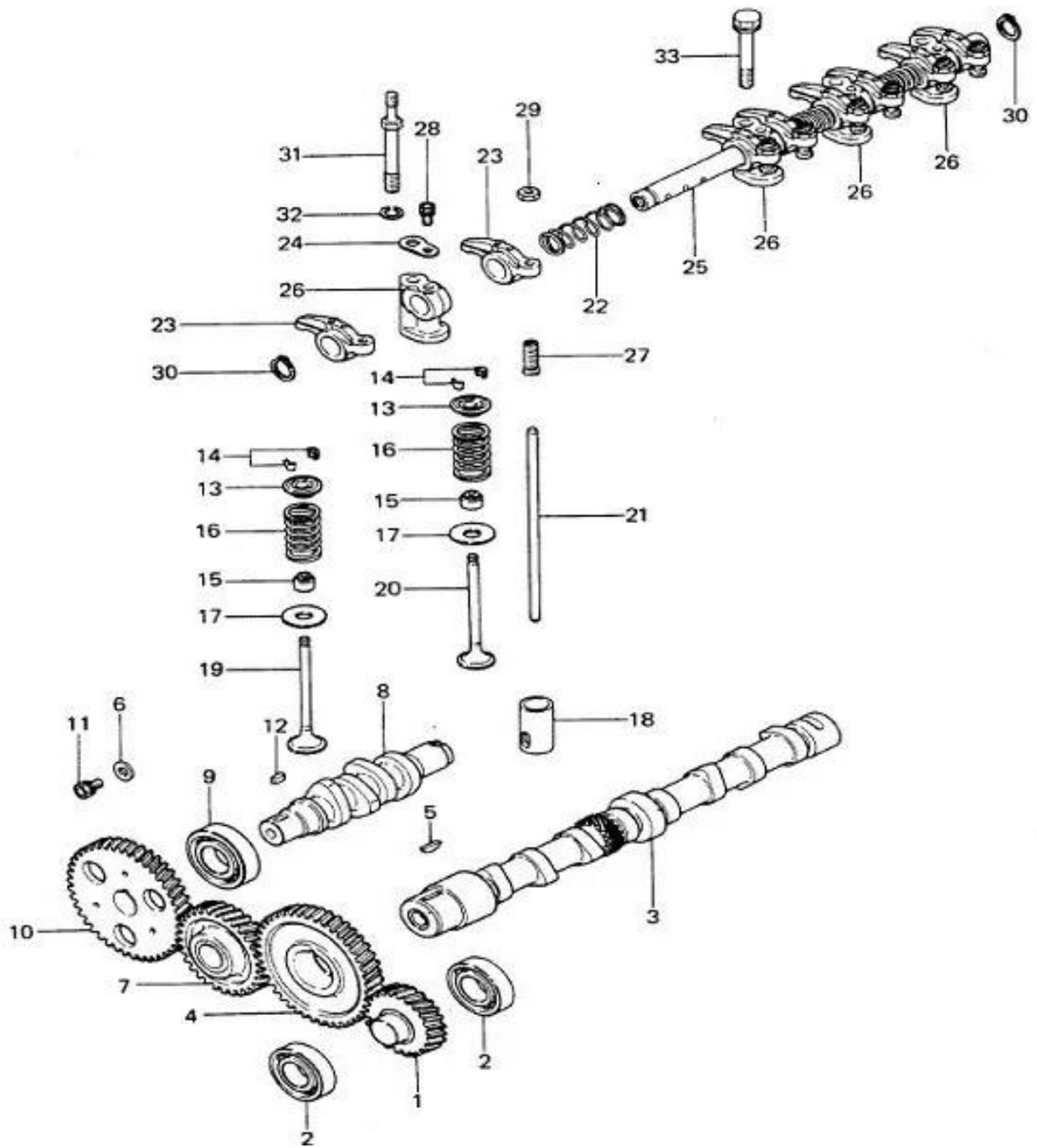


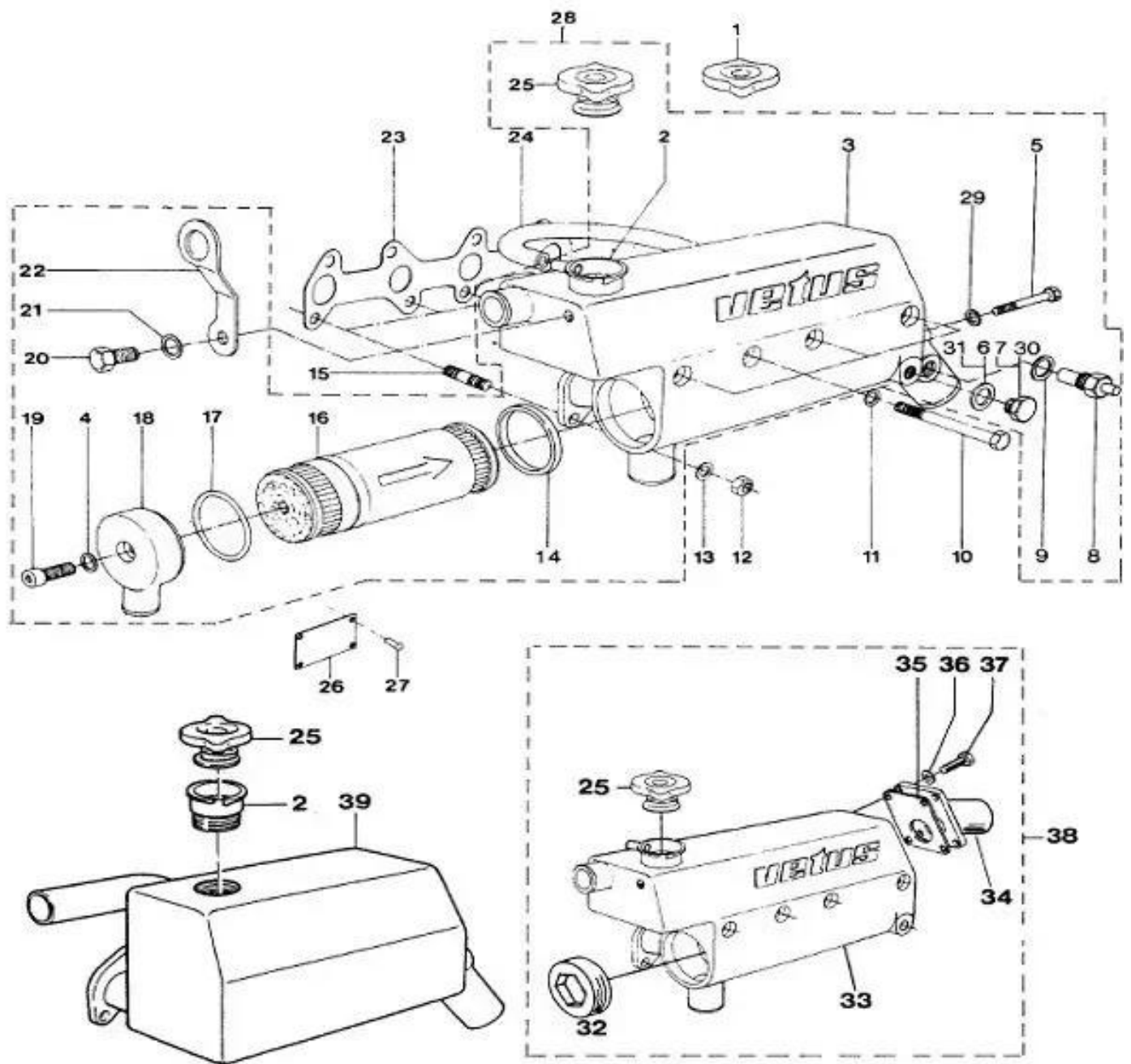
01 m4.14_cilinderblock

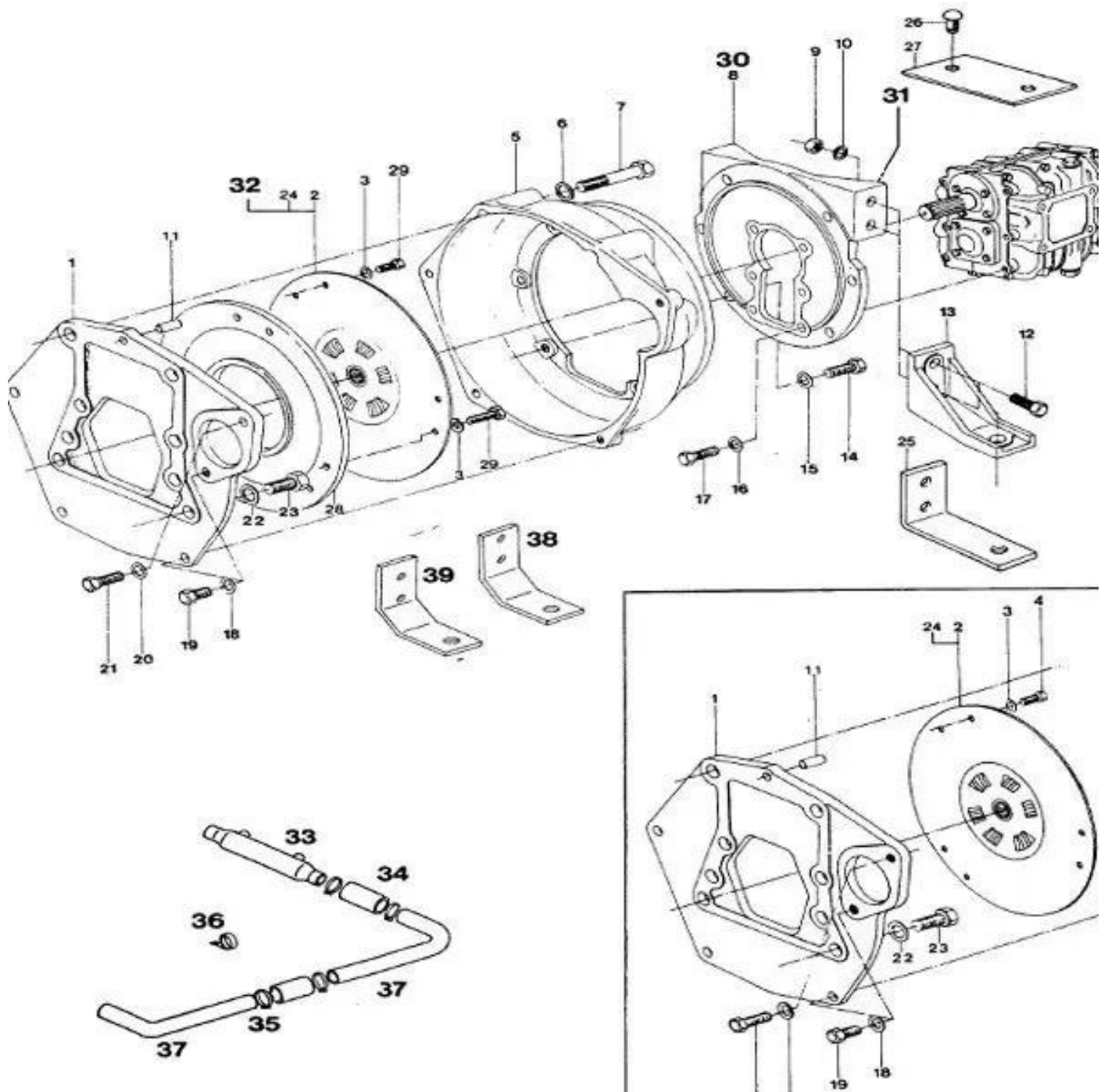


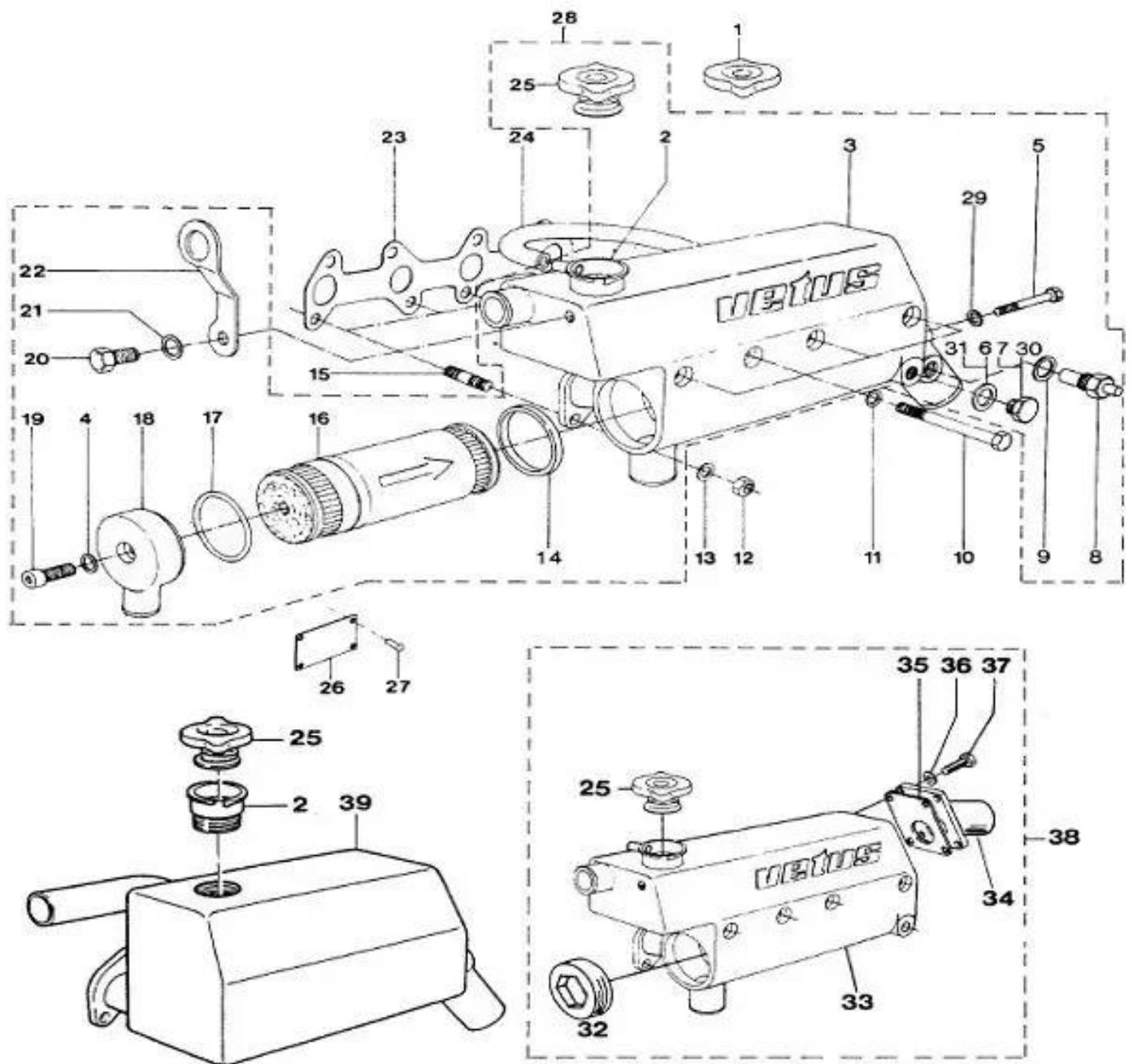
02 m4.14_cilinder_head



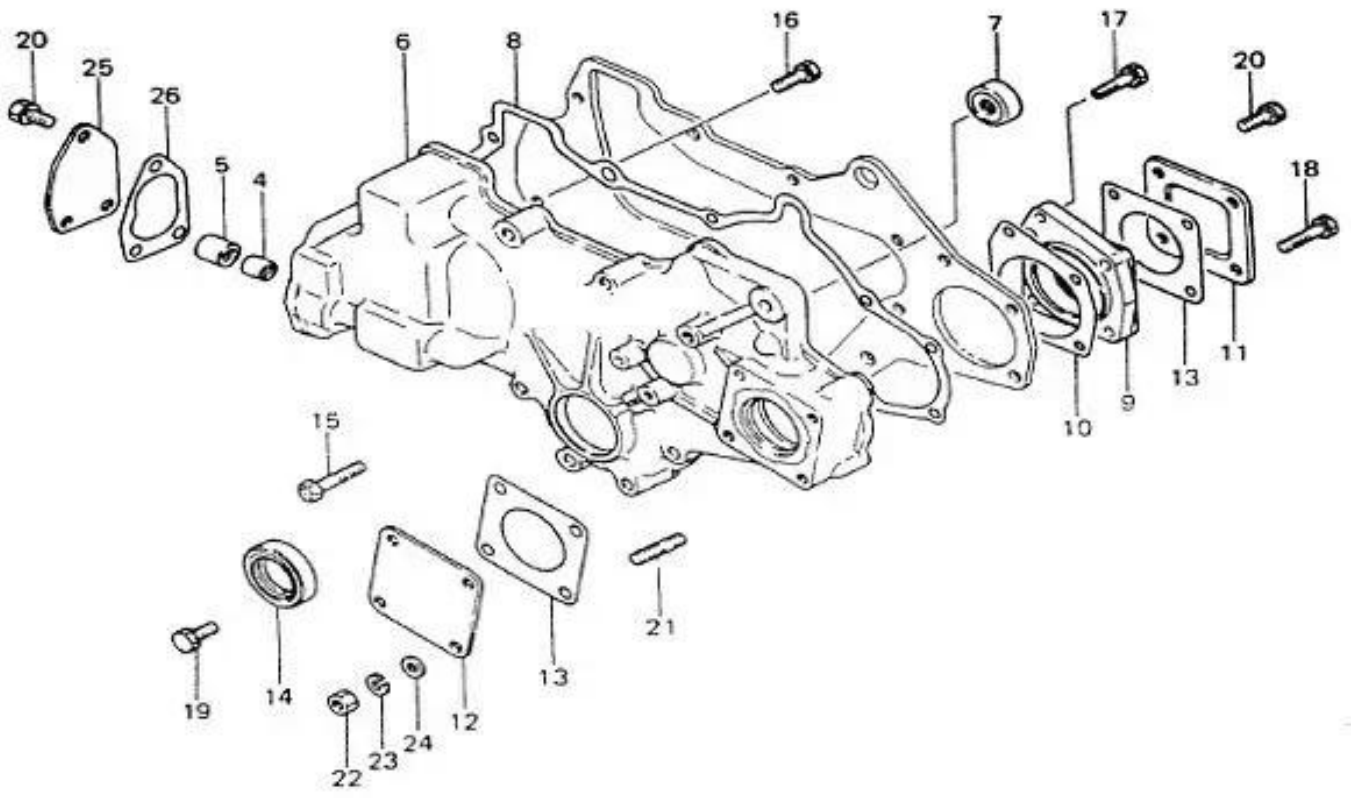




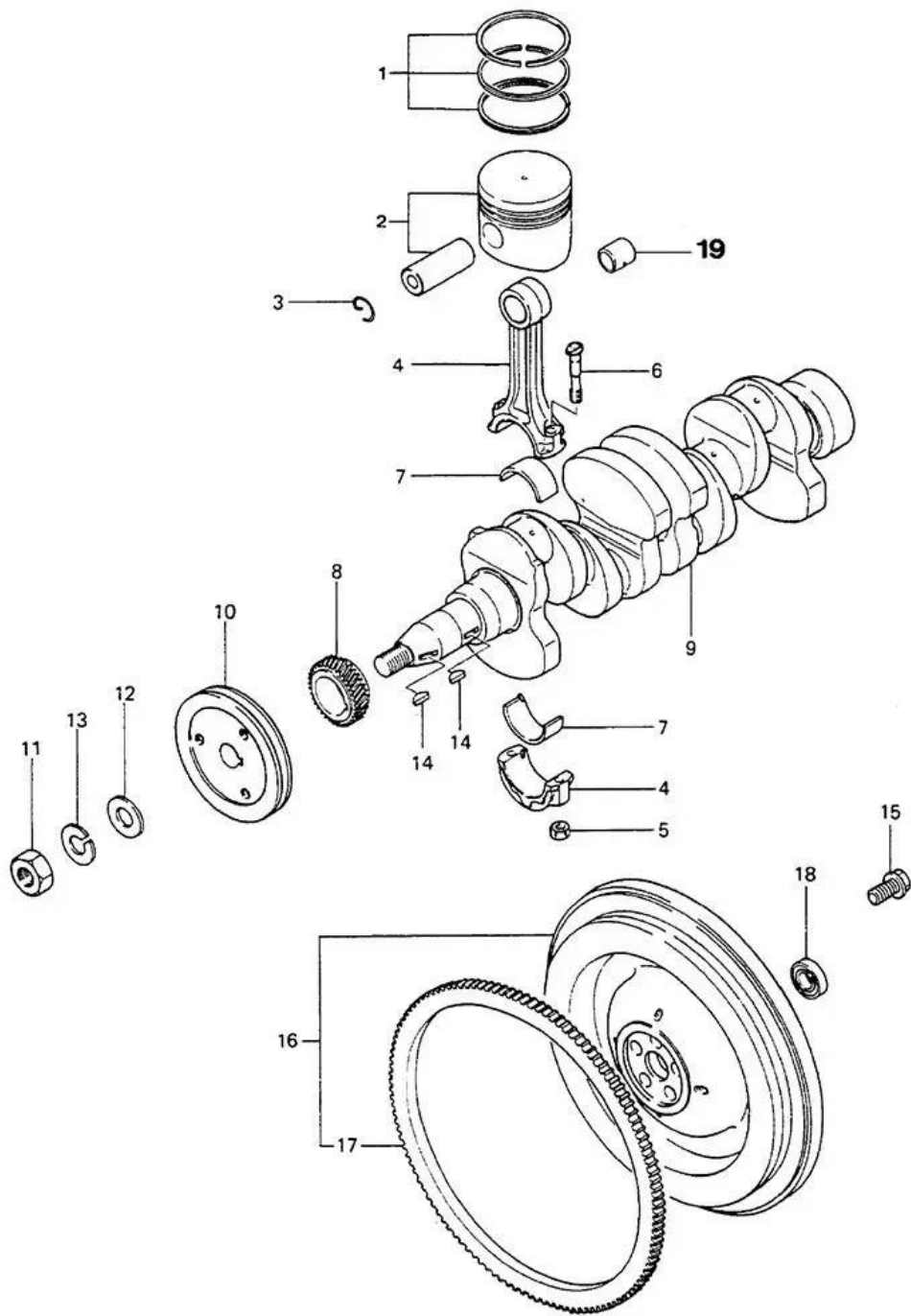


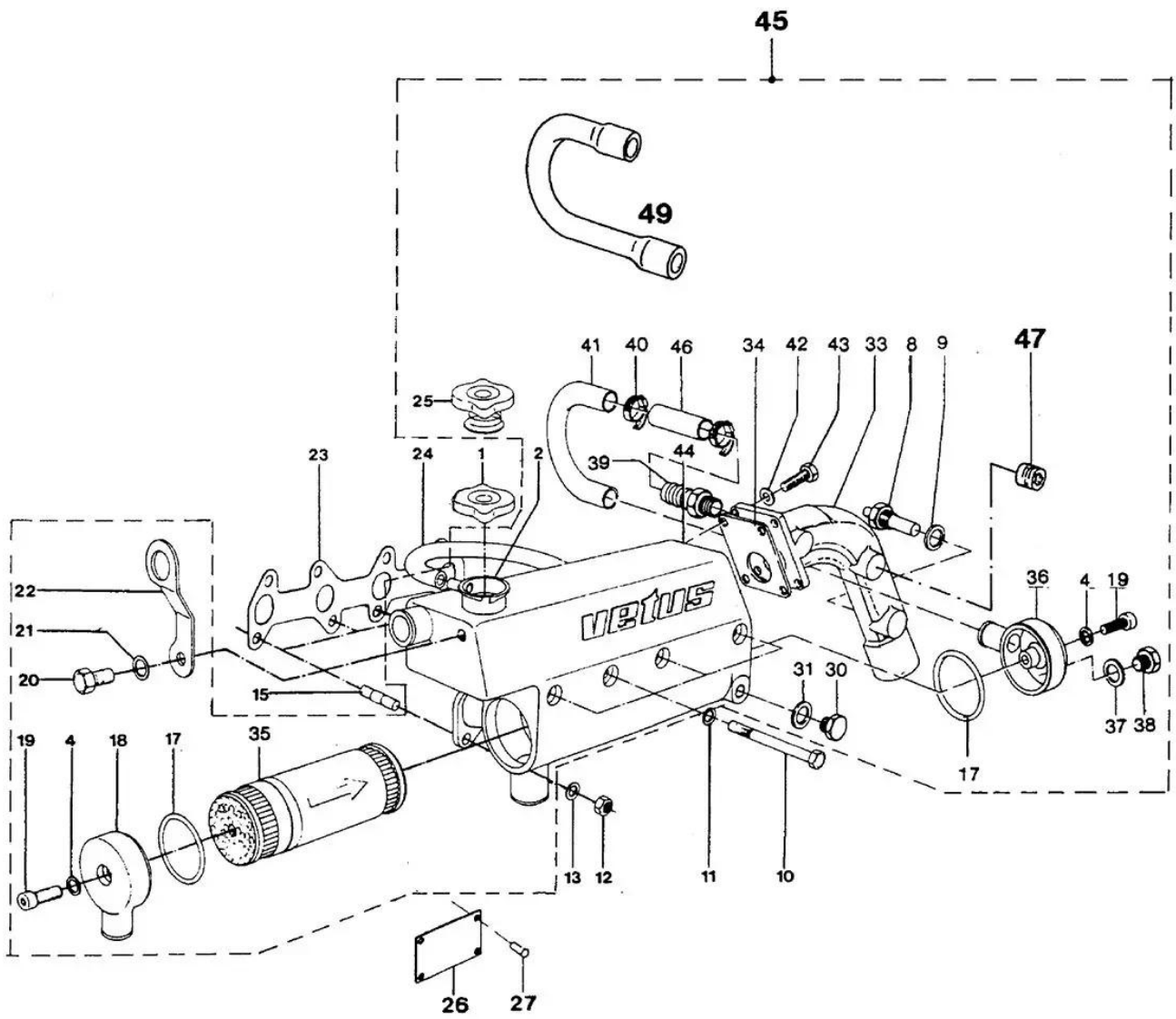


07 m4.14_timing_gear_cover

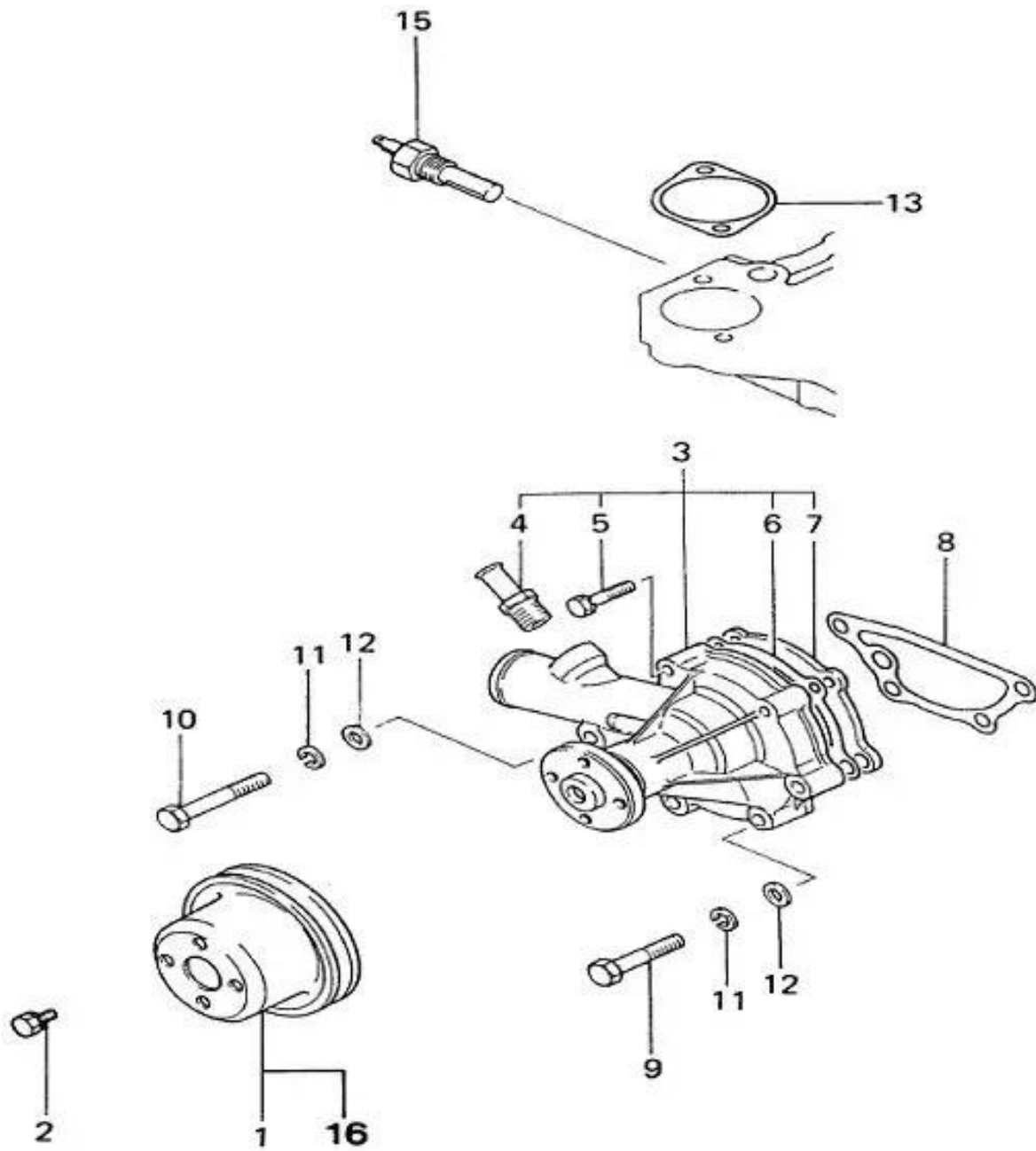


08 m4.14-crankshaft

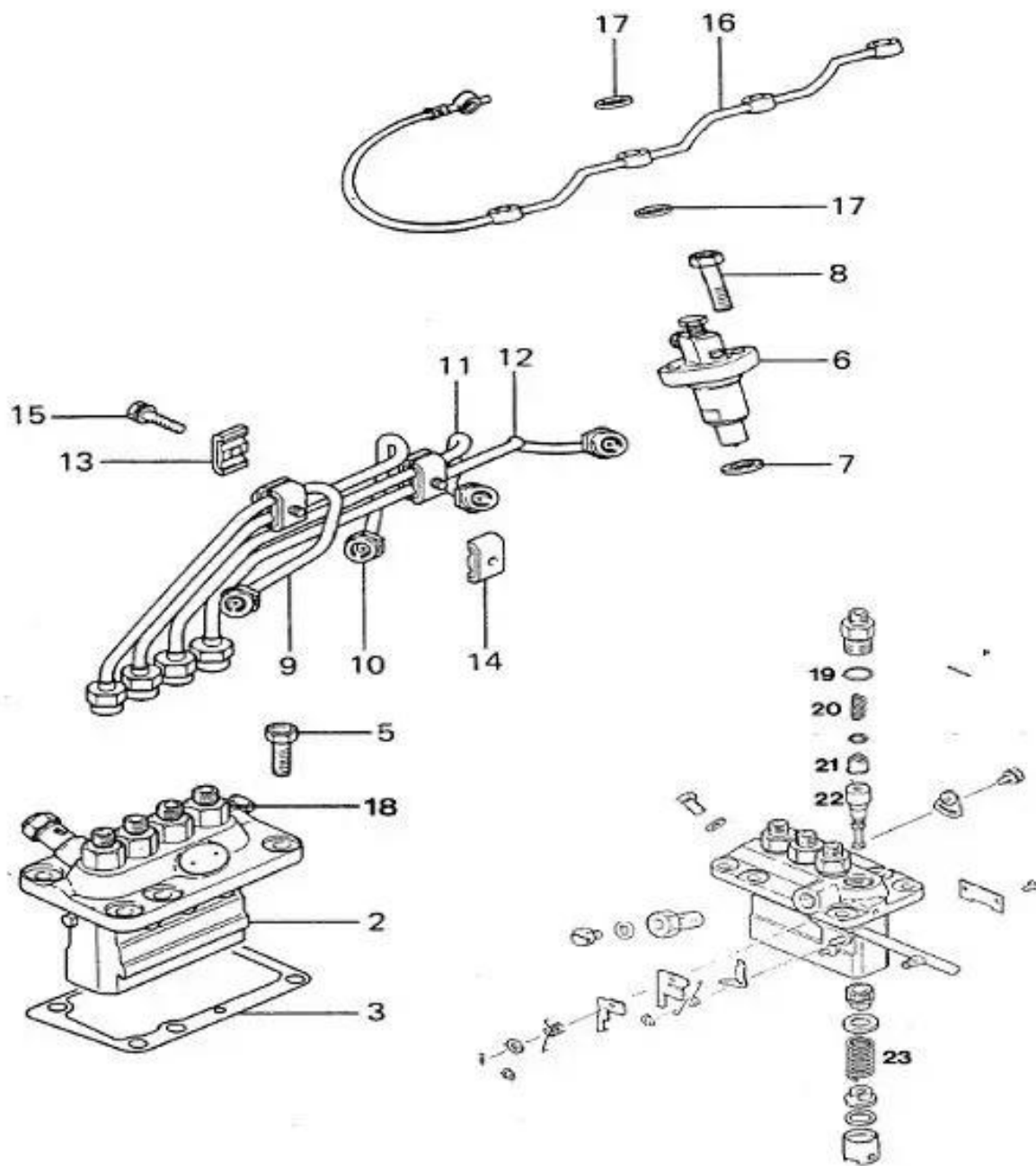


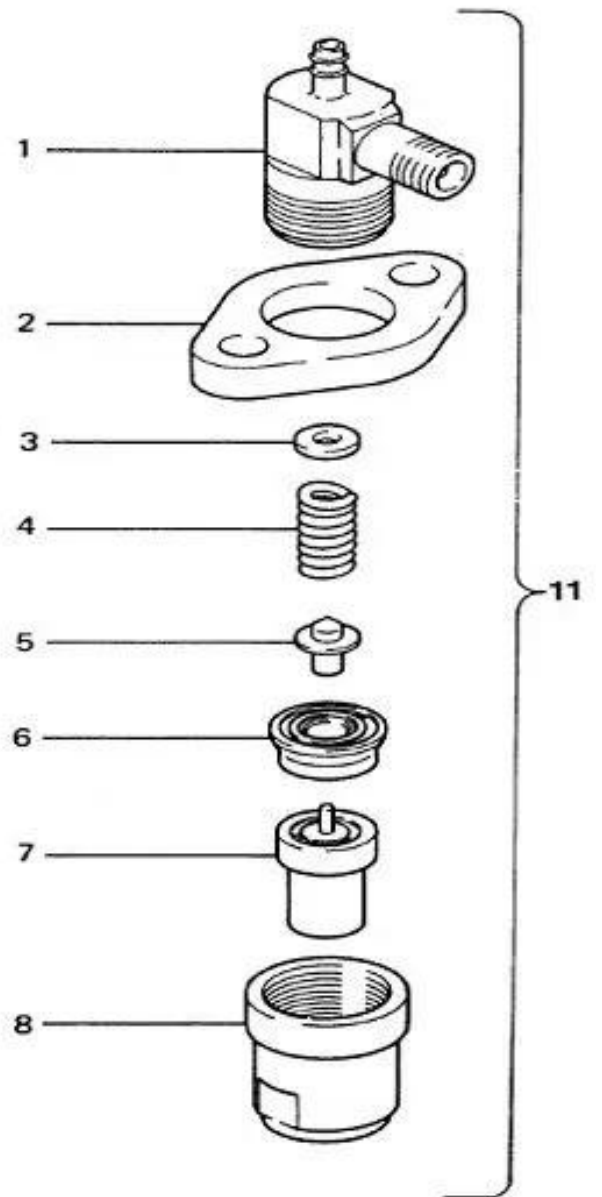
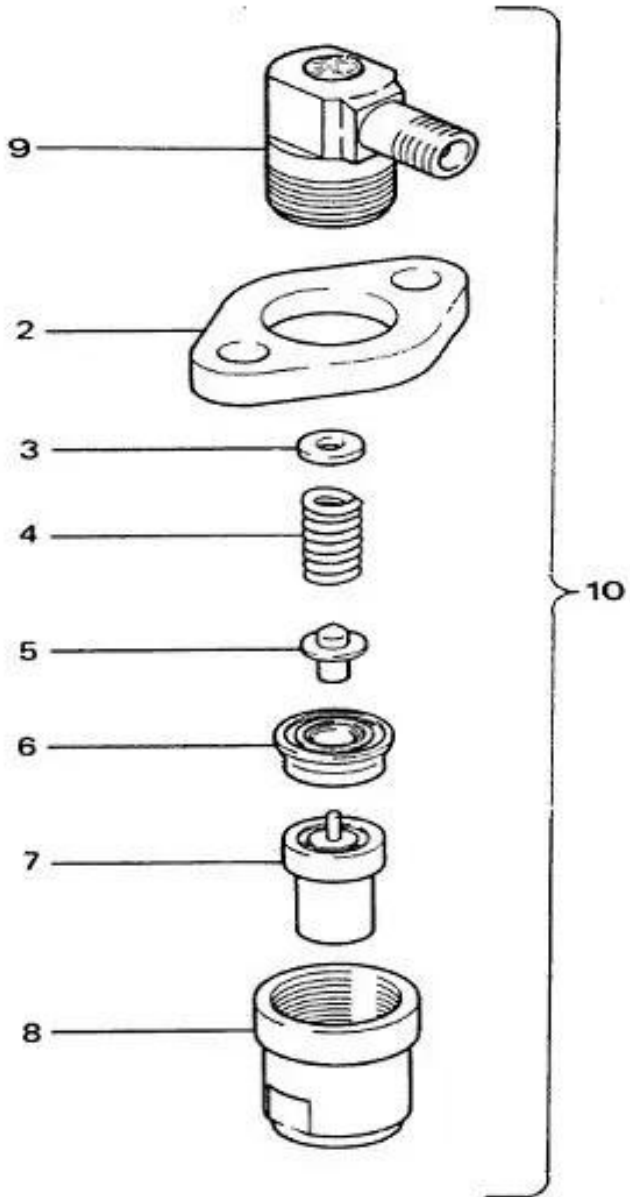


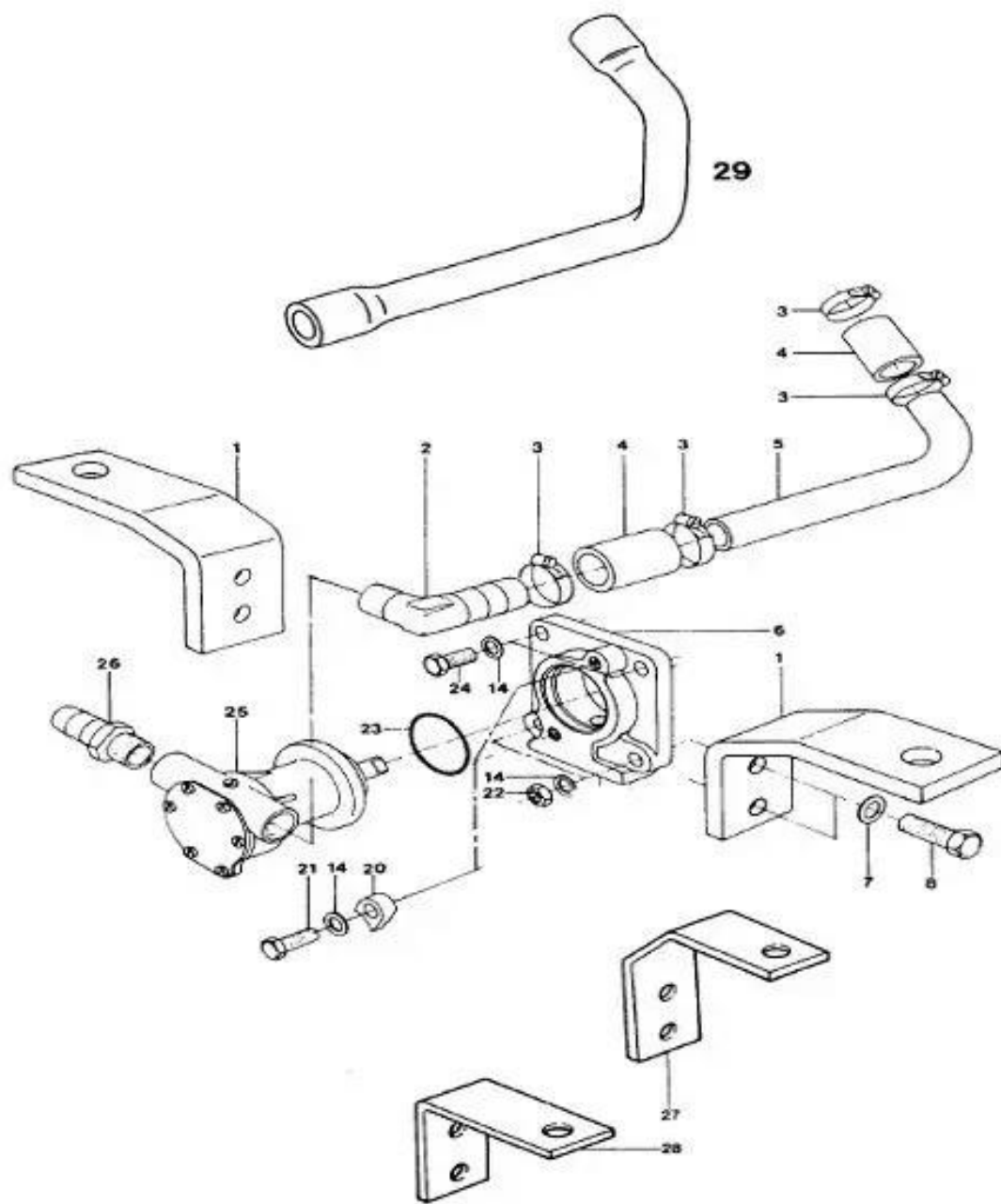
10 m4.14_fresh_water_pump

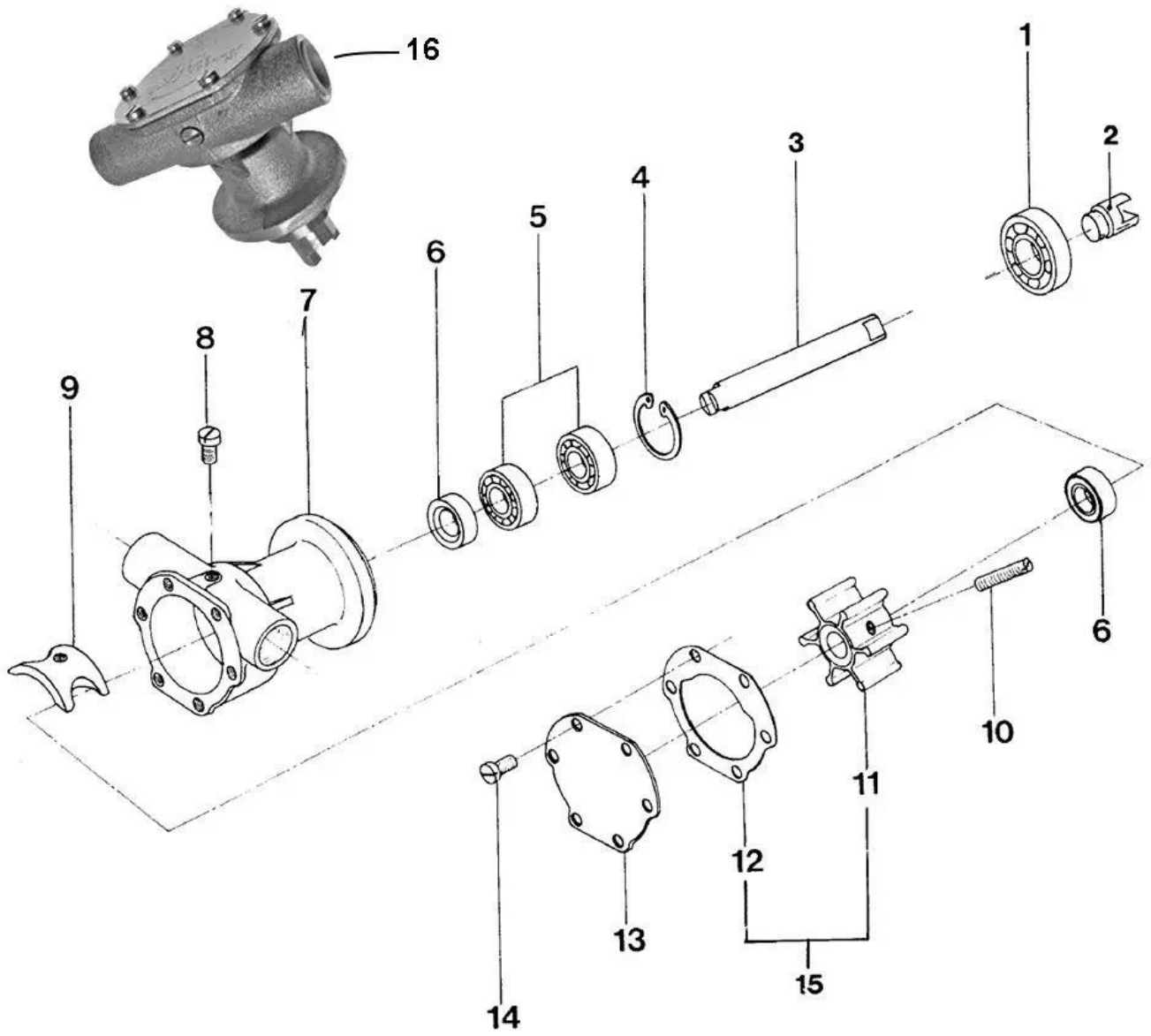


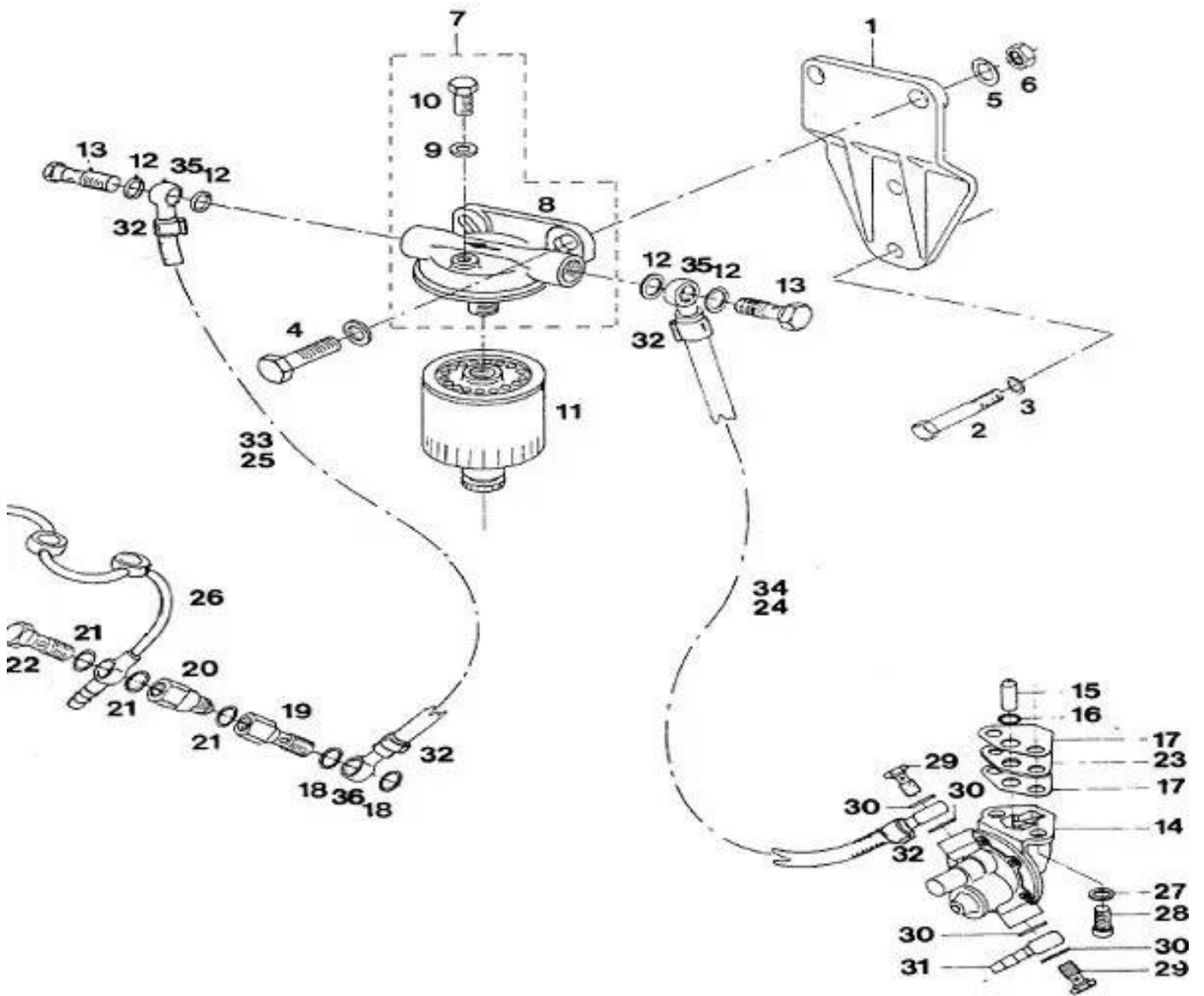
11 m4.14_injectors_and_pump

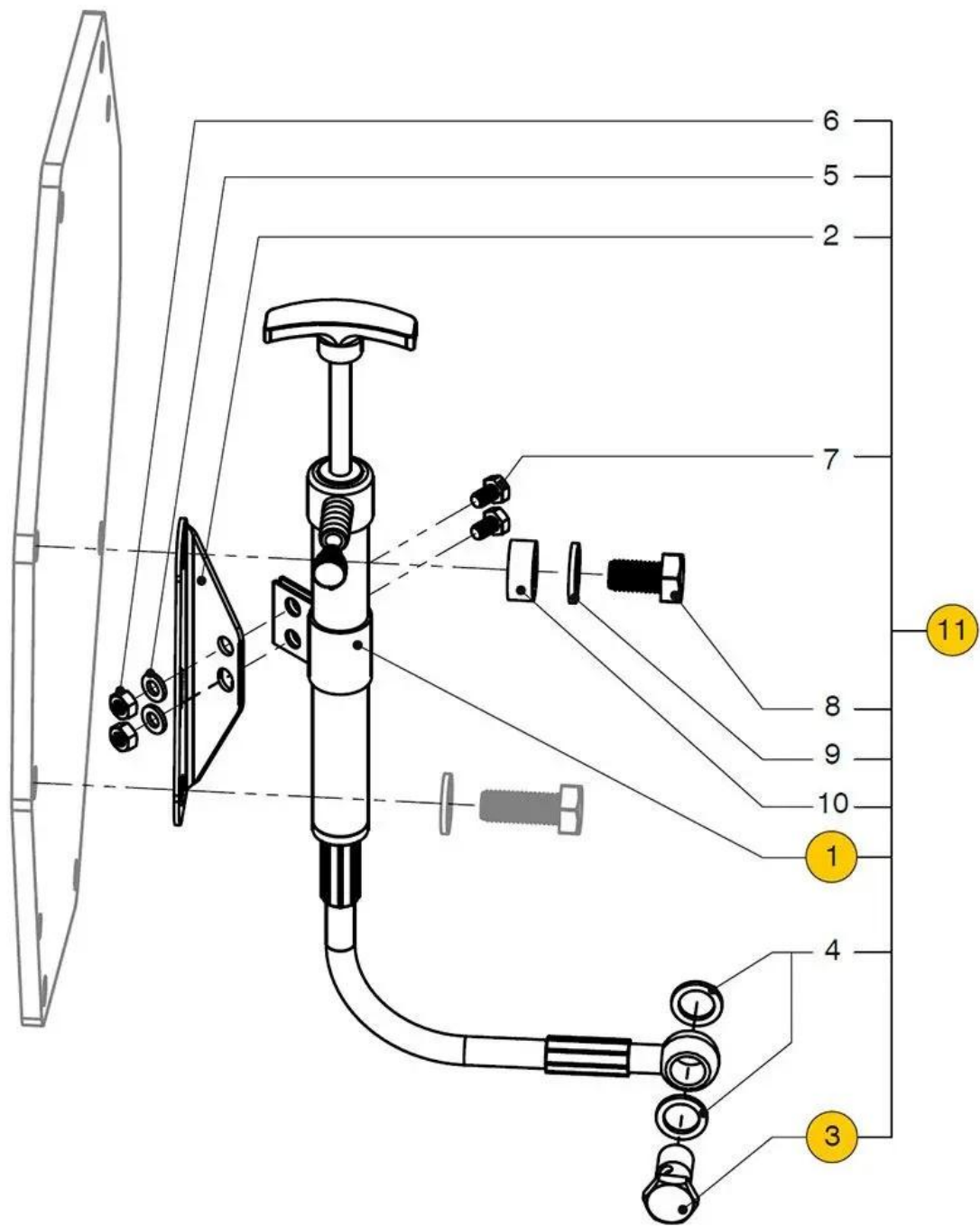


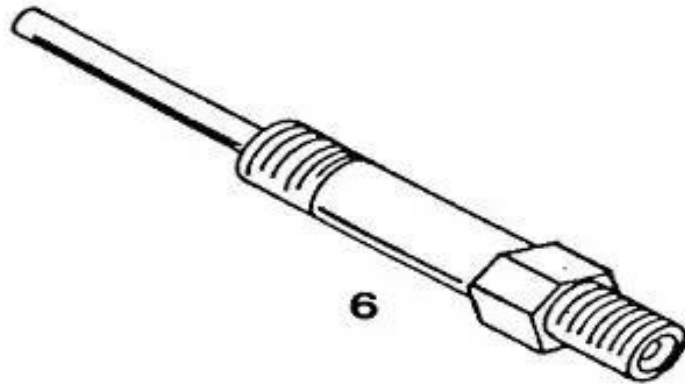
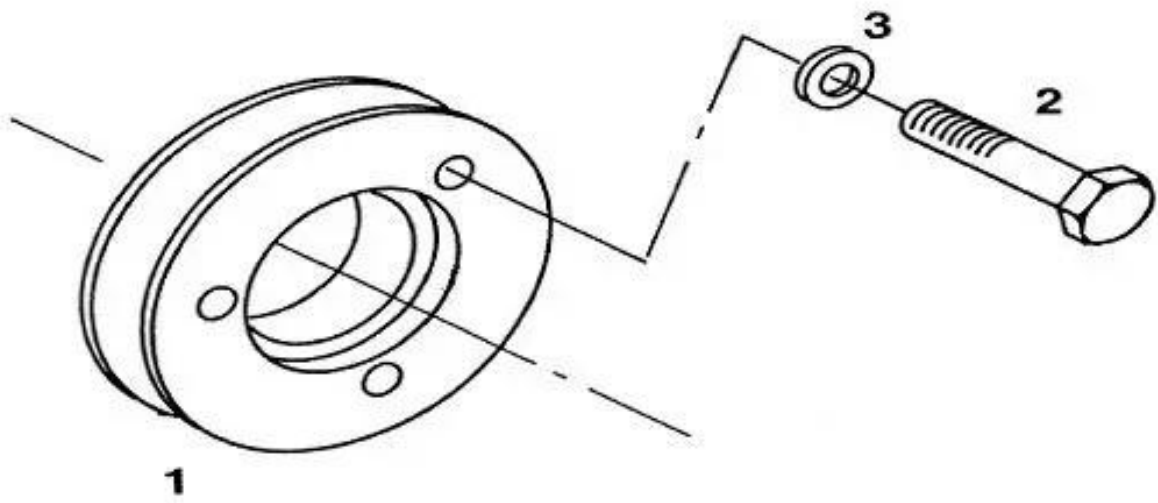


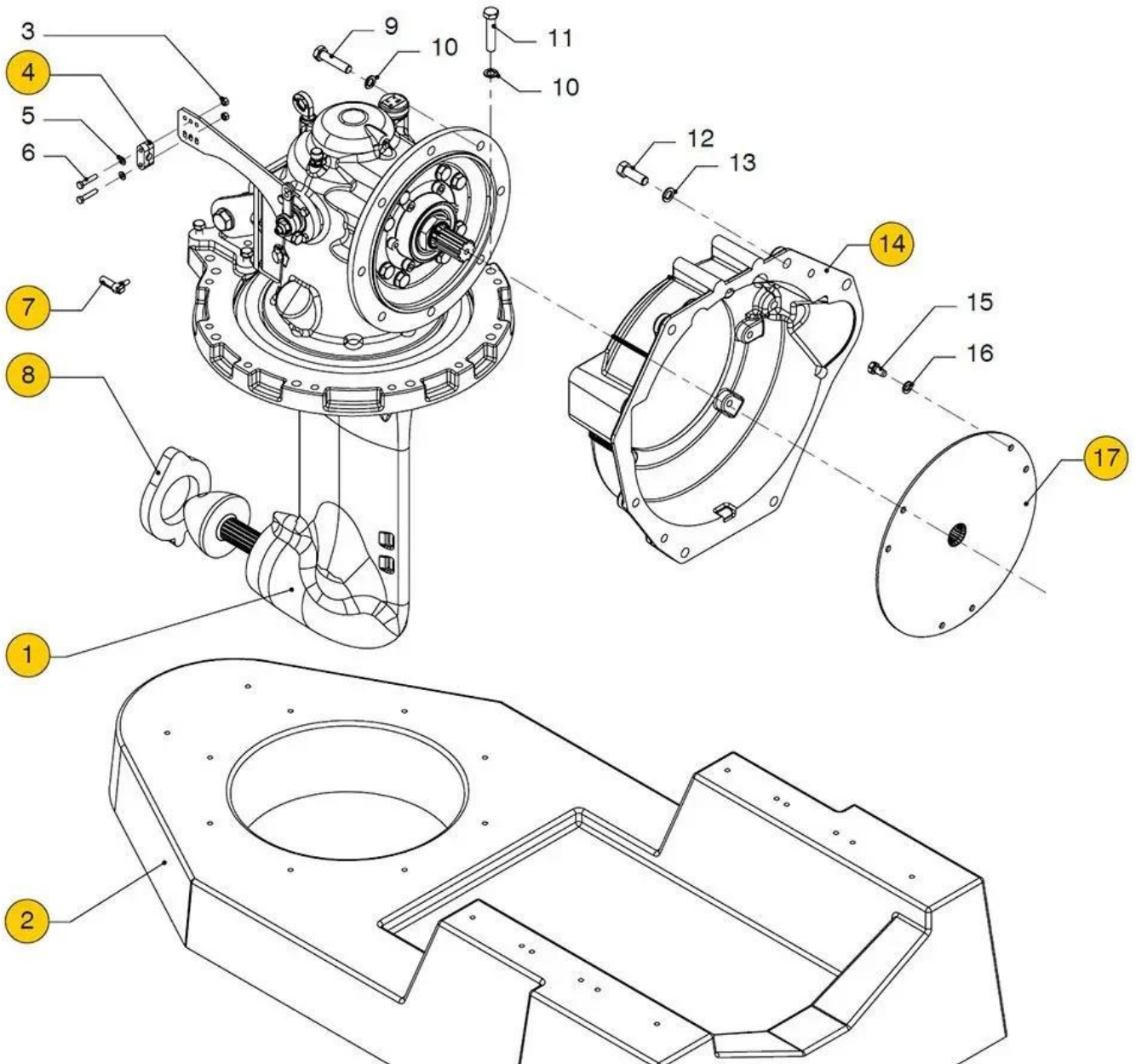


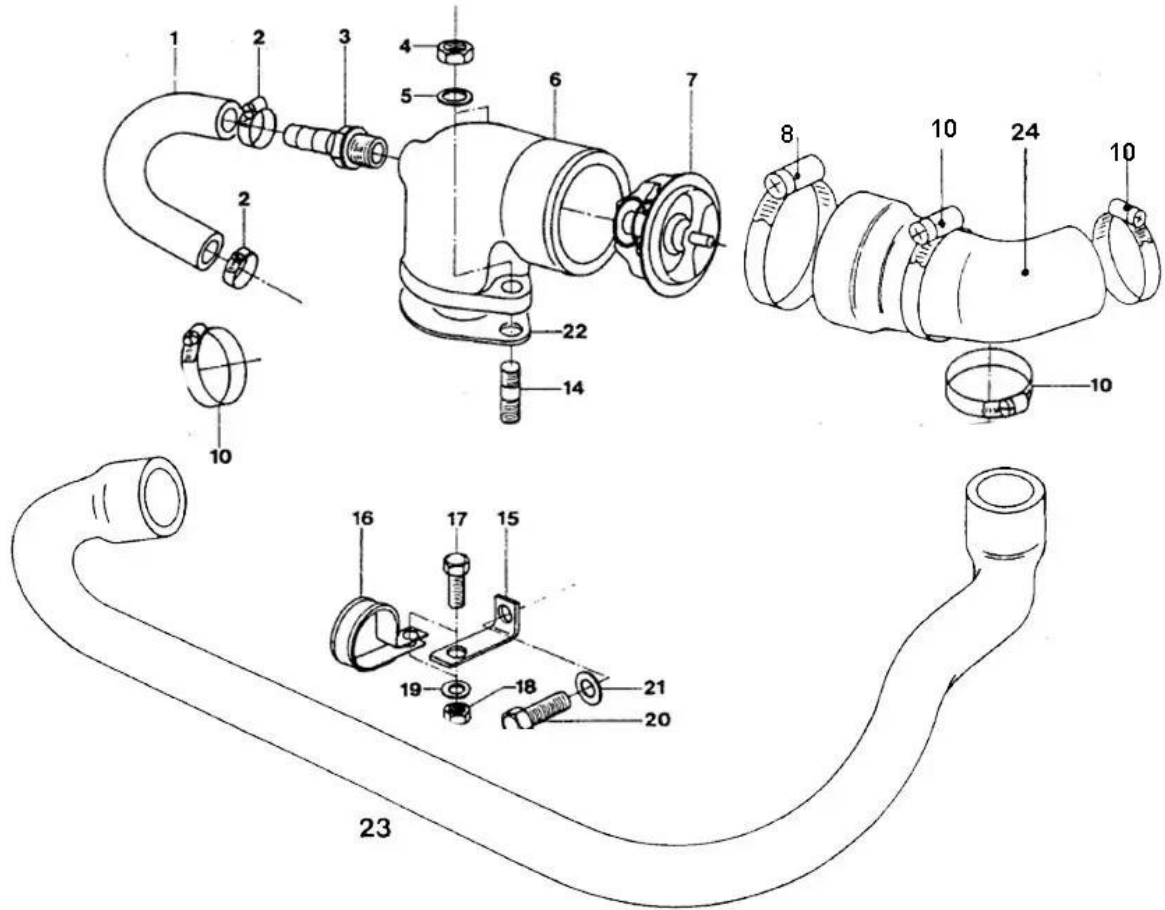




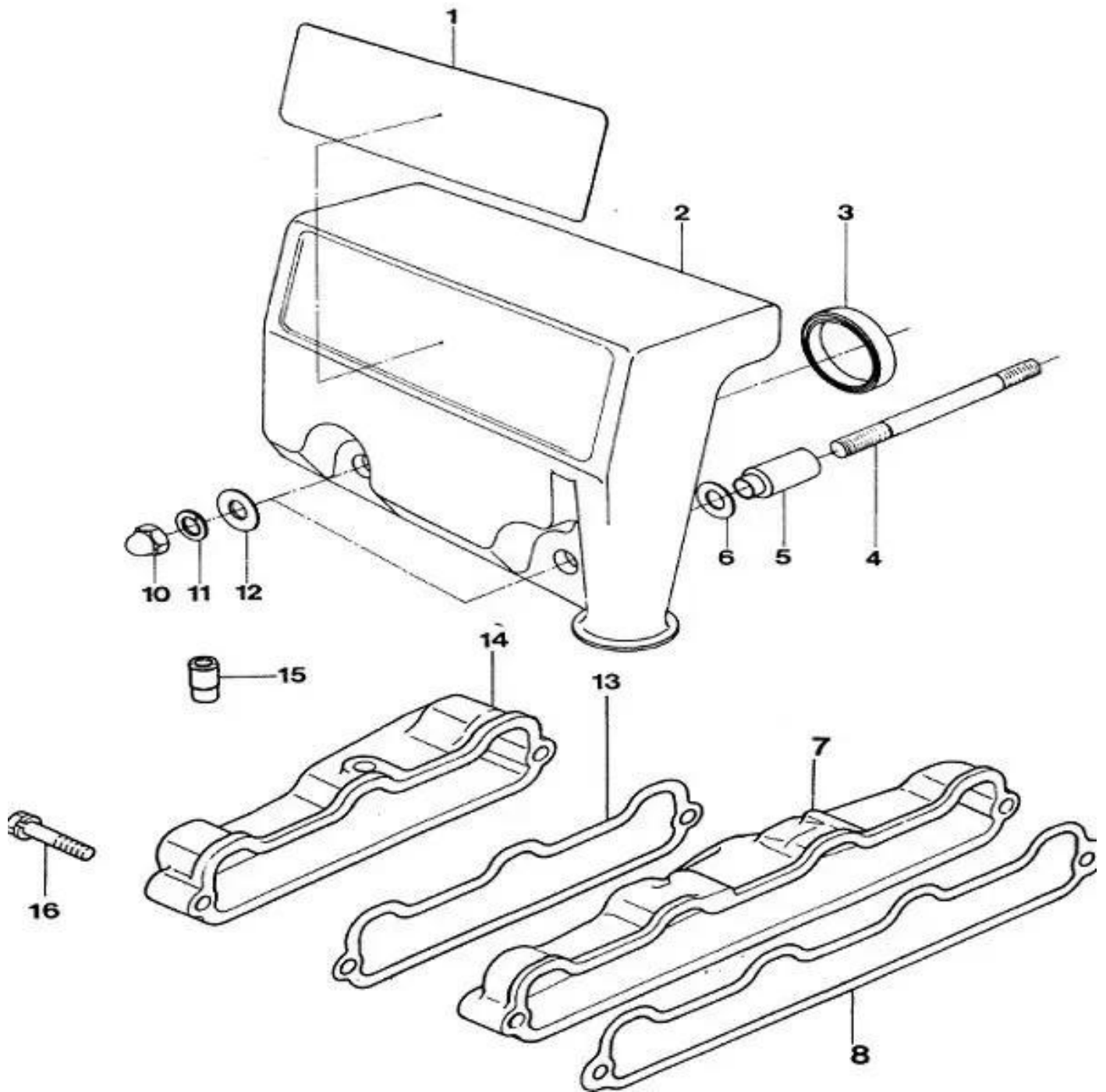


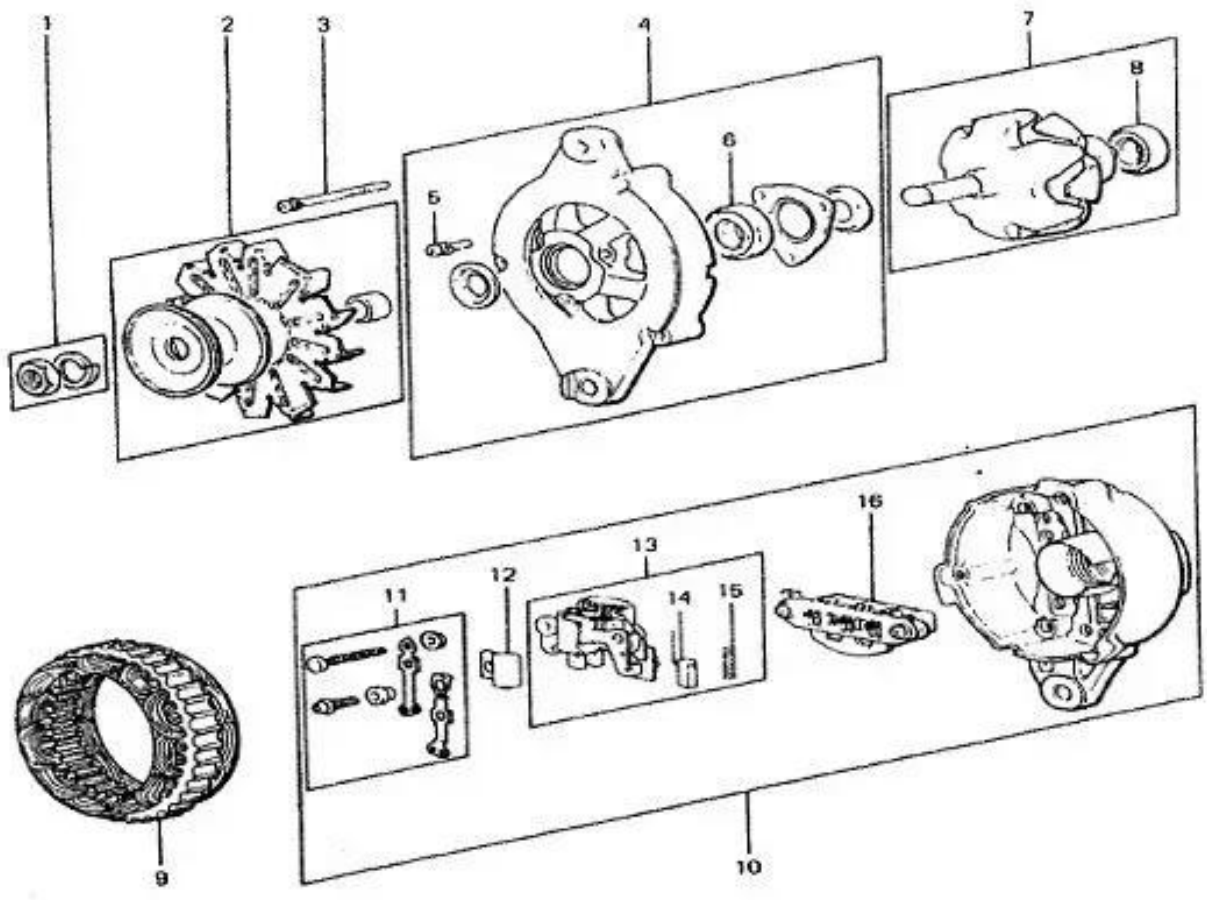


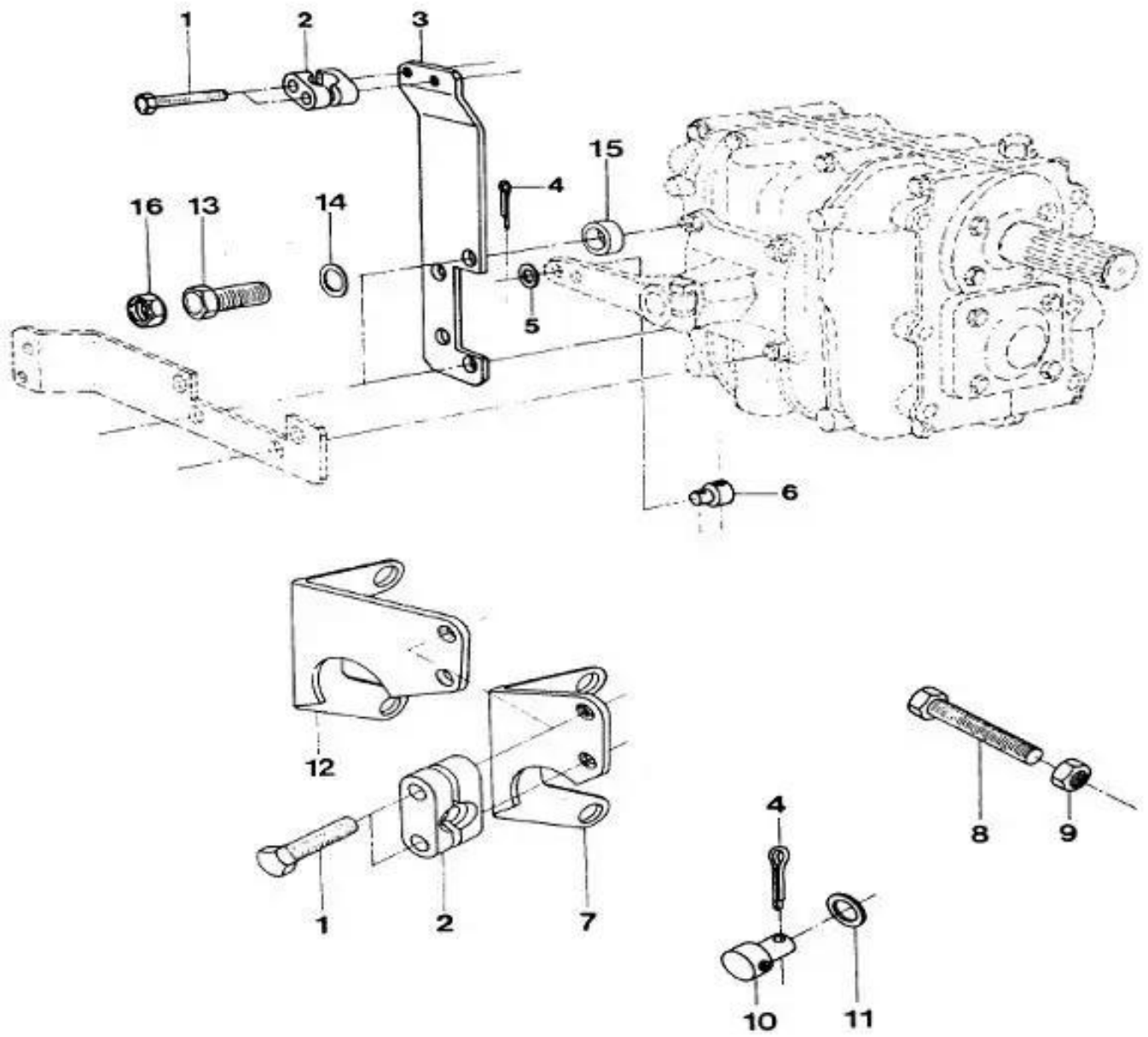




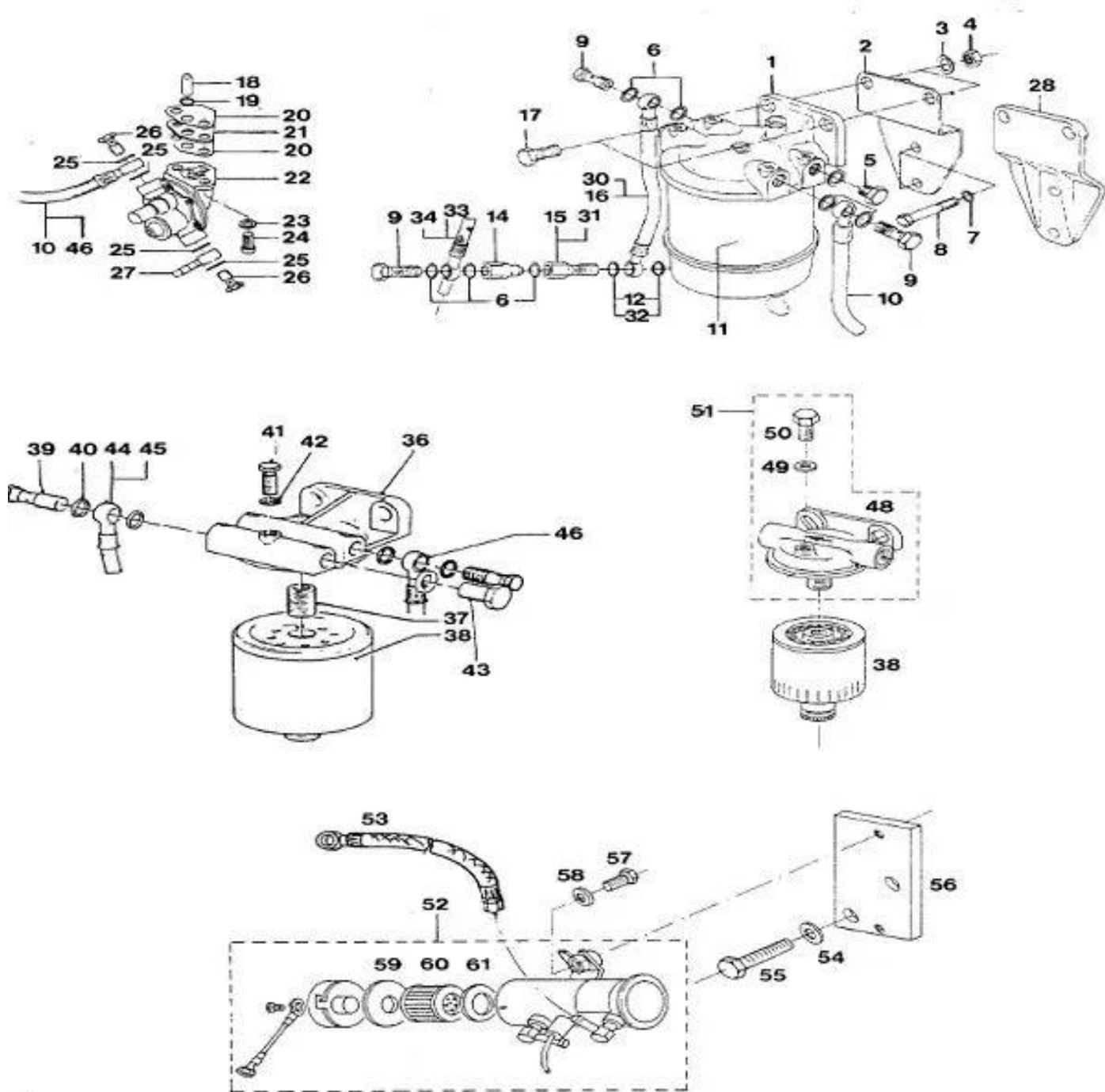
m4.14_air_intake_manifold

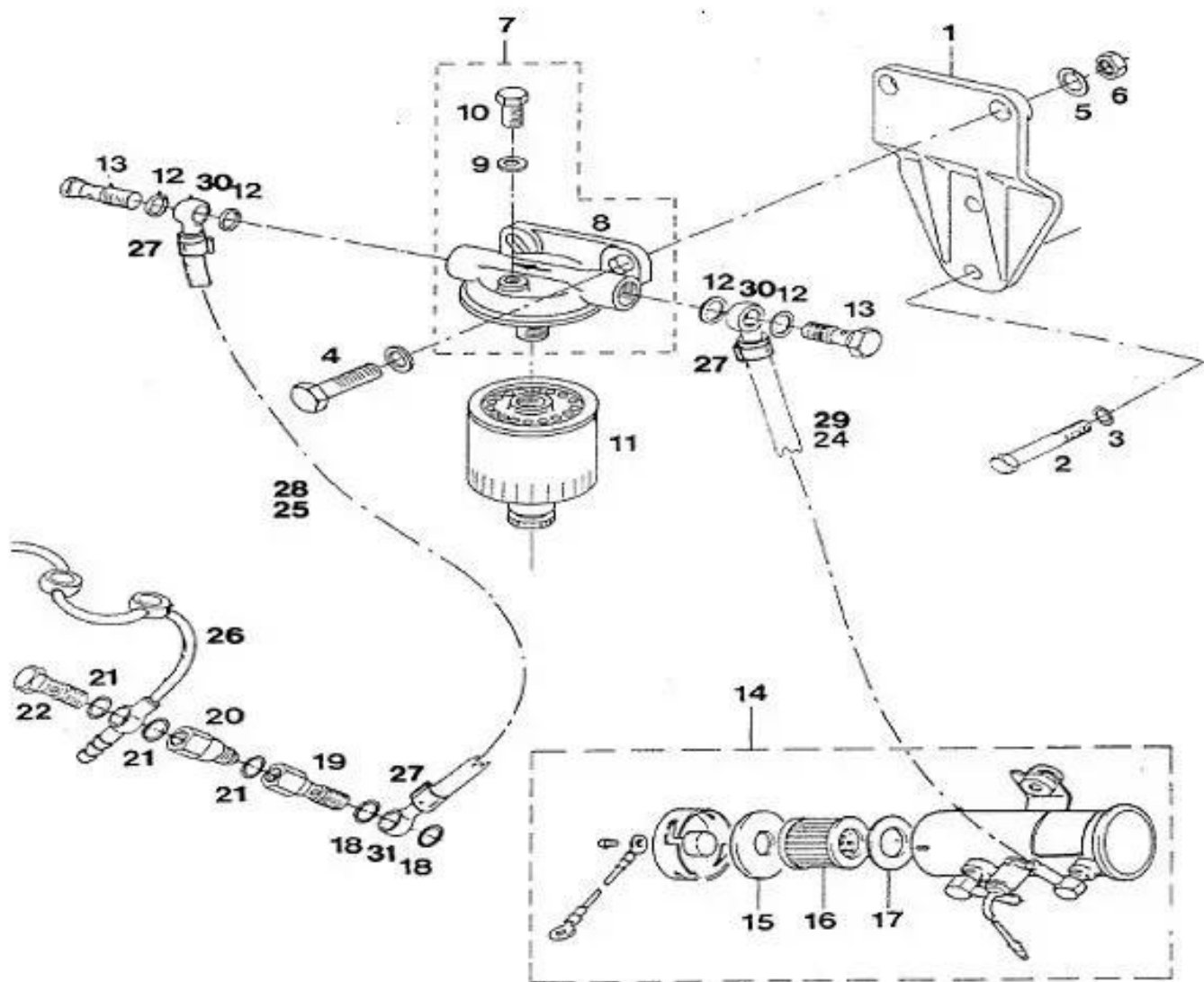


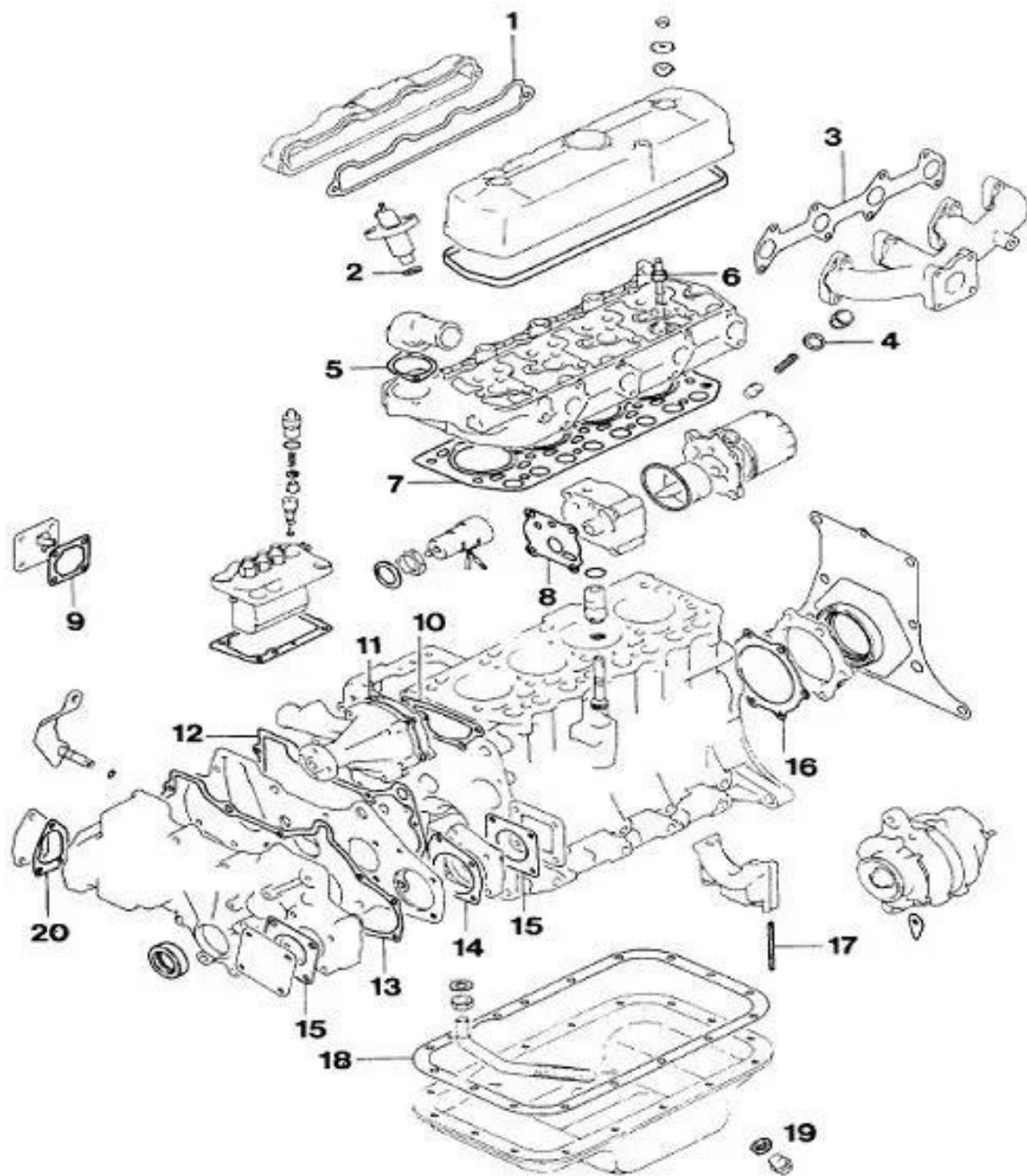


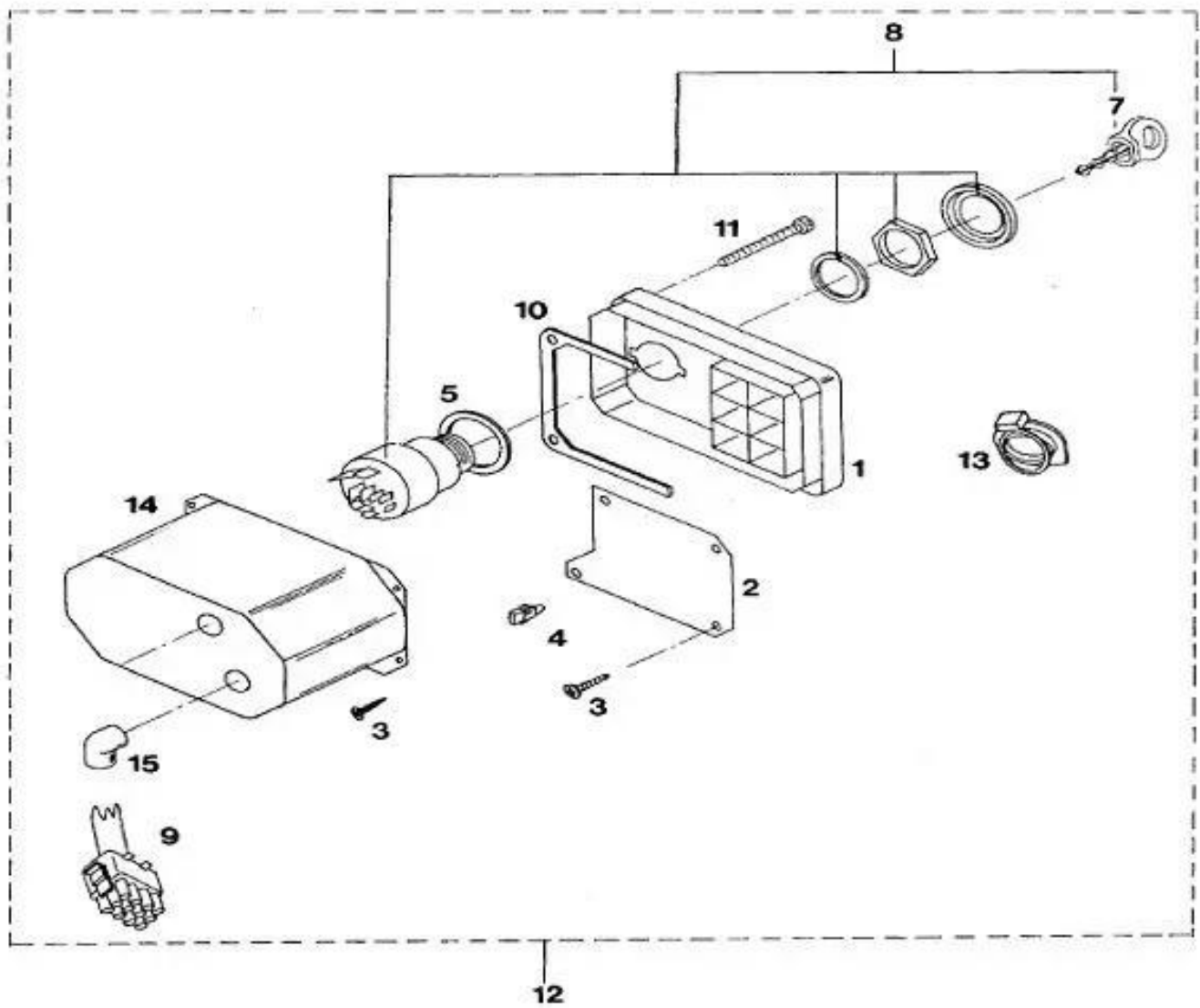


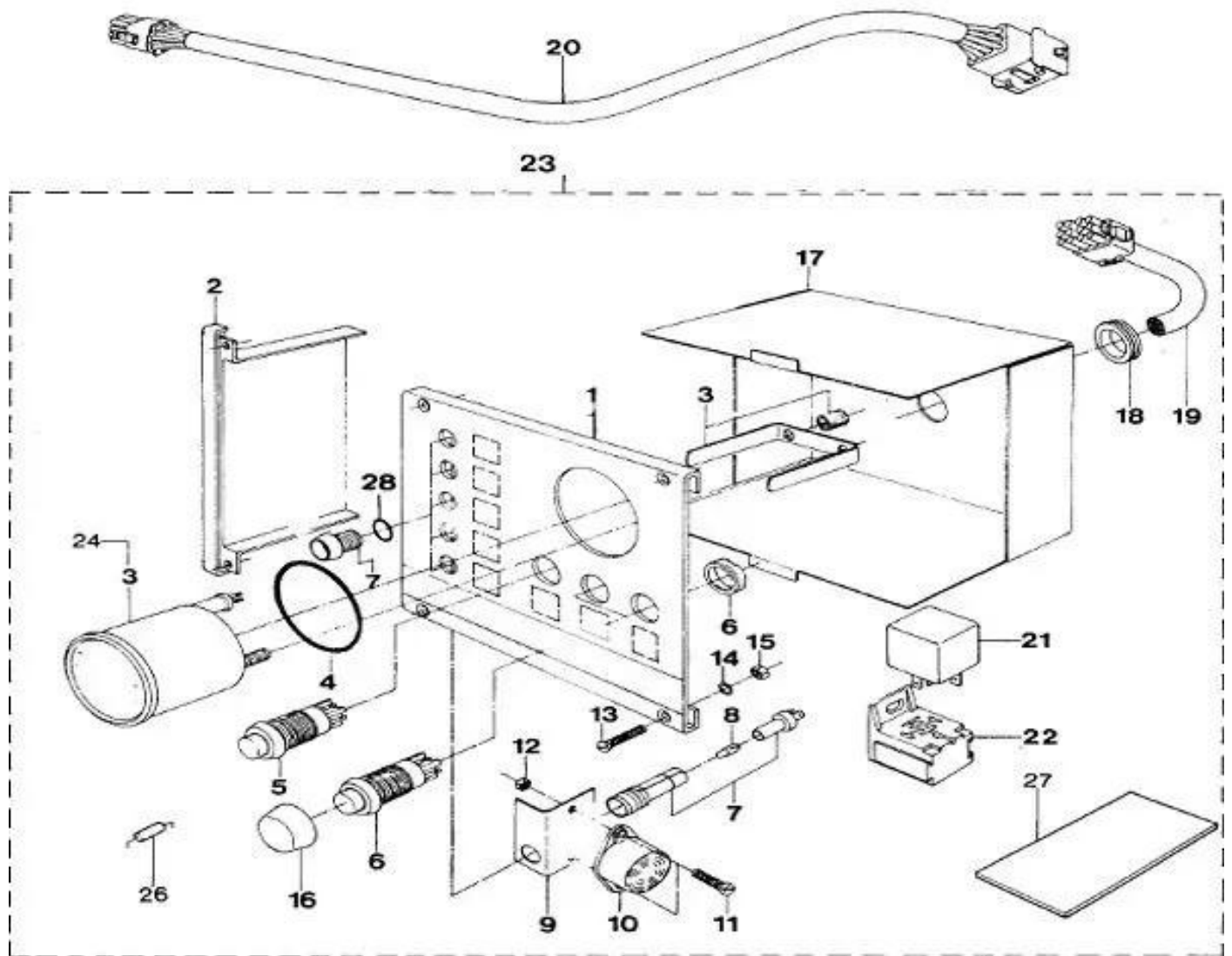
m4.14_fuel_filter

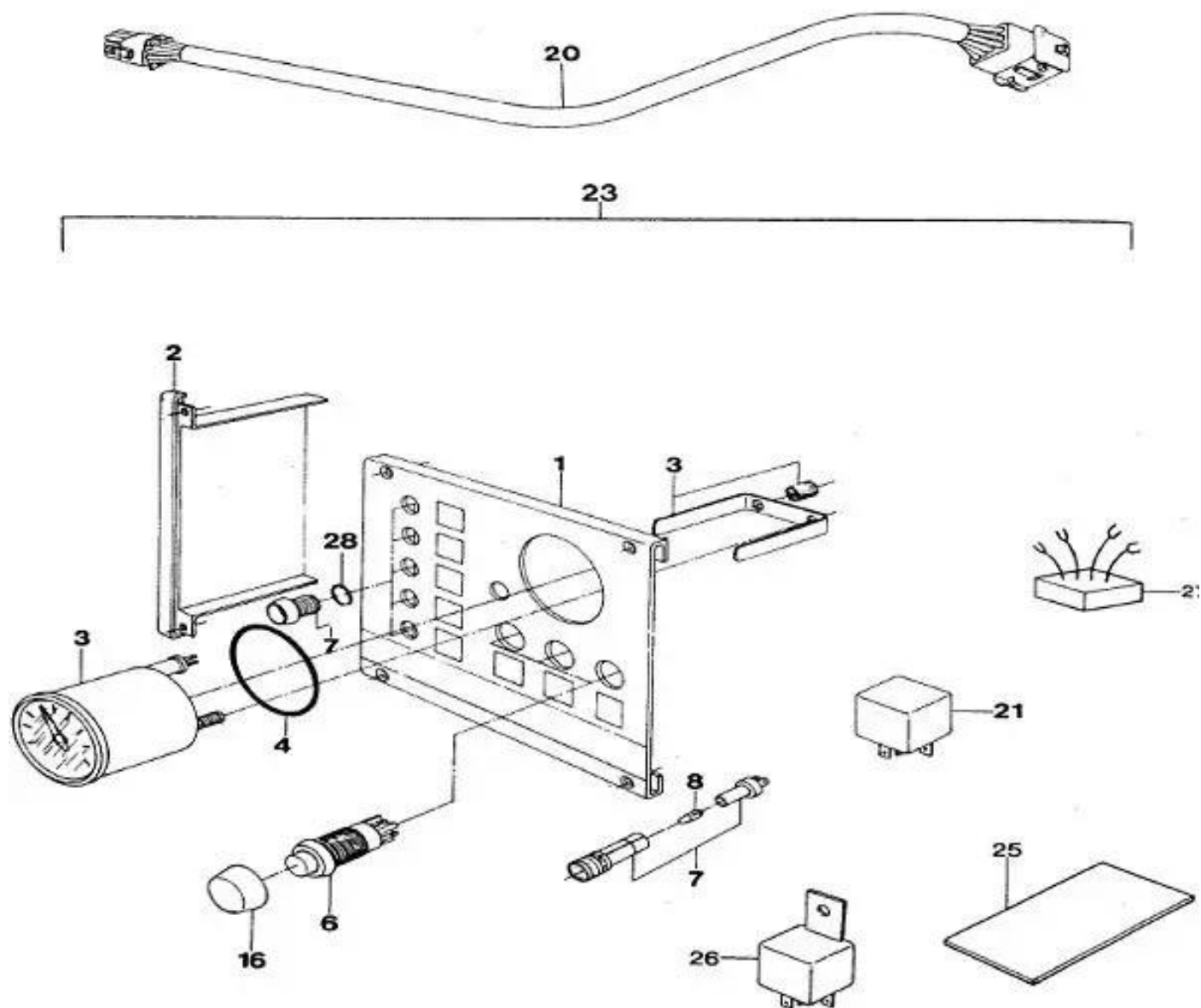


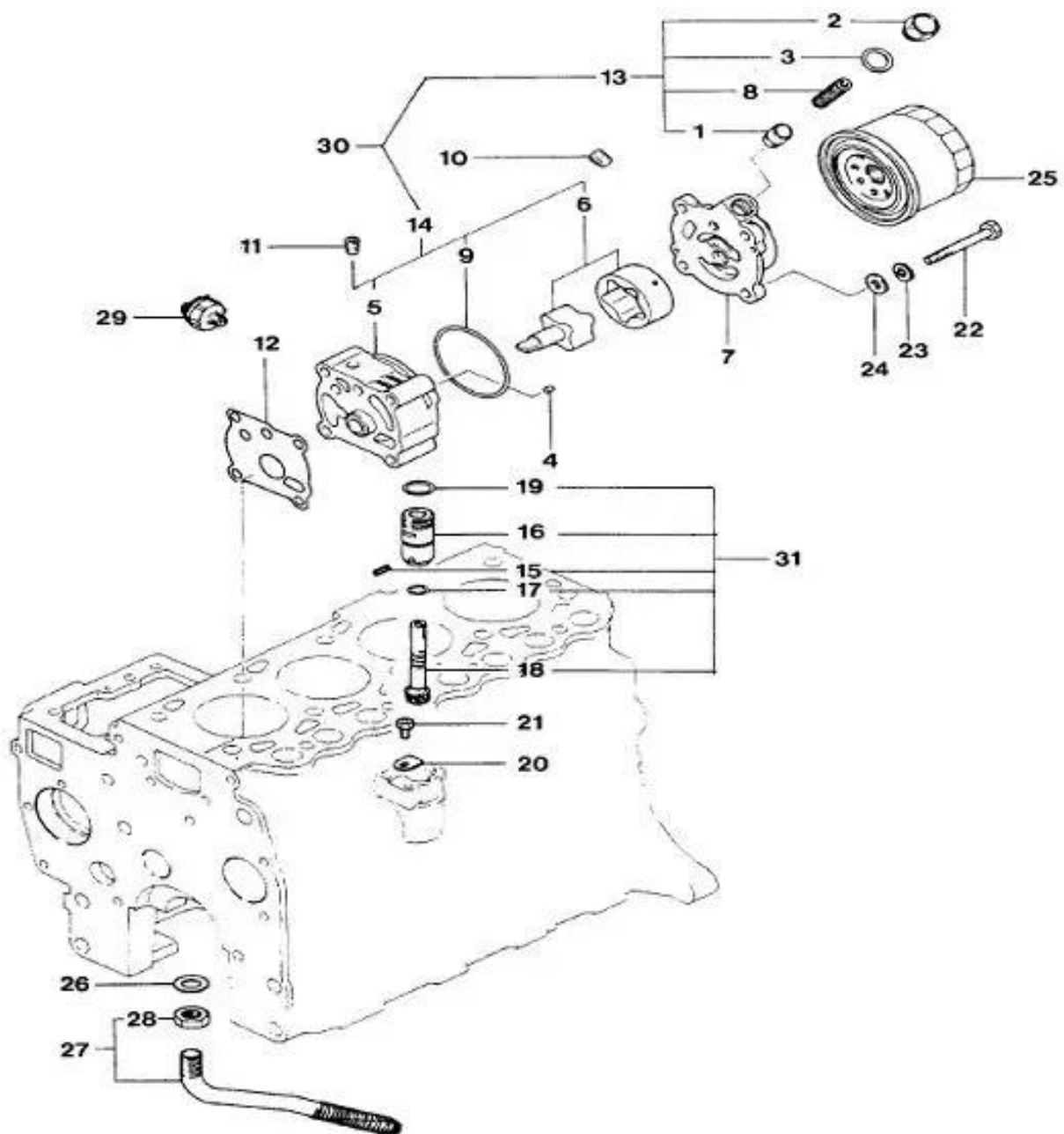


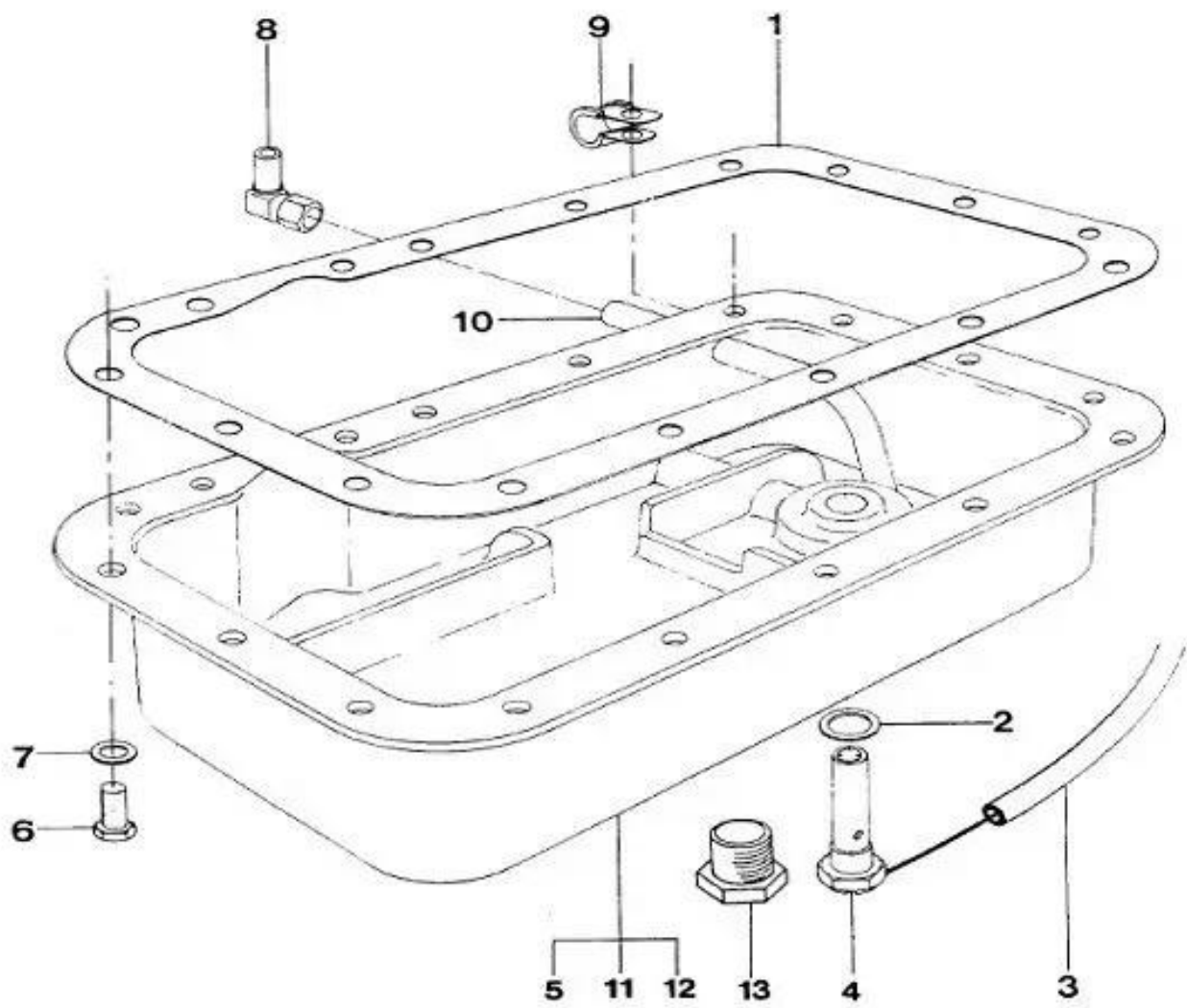


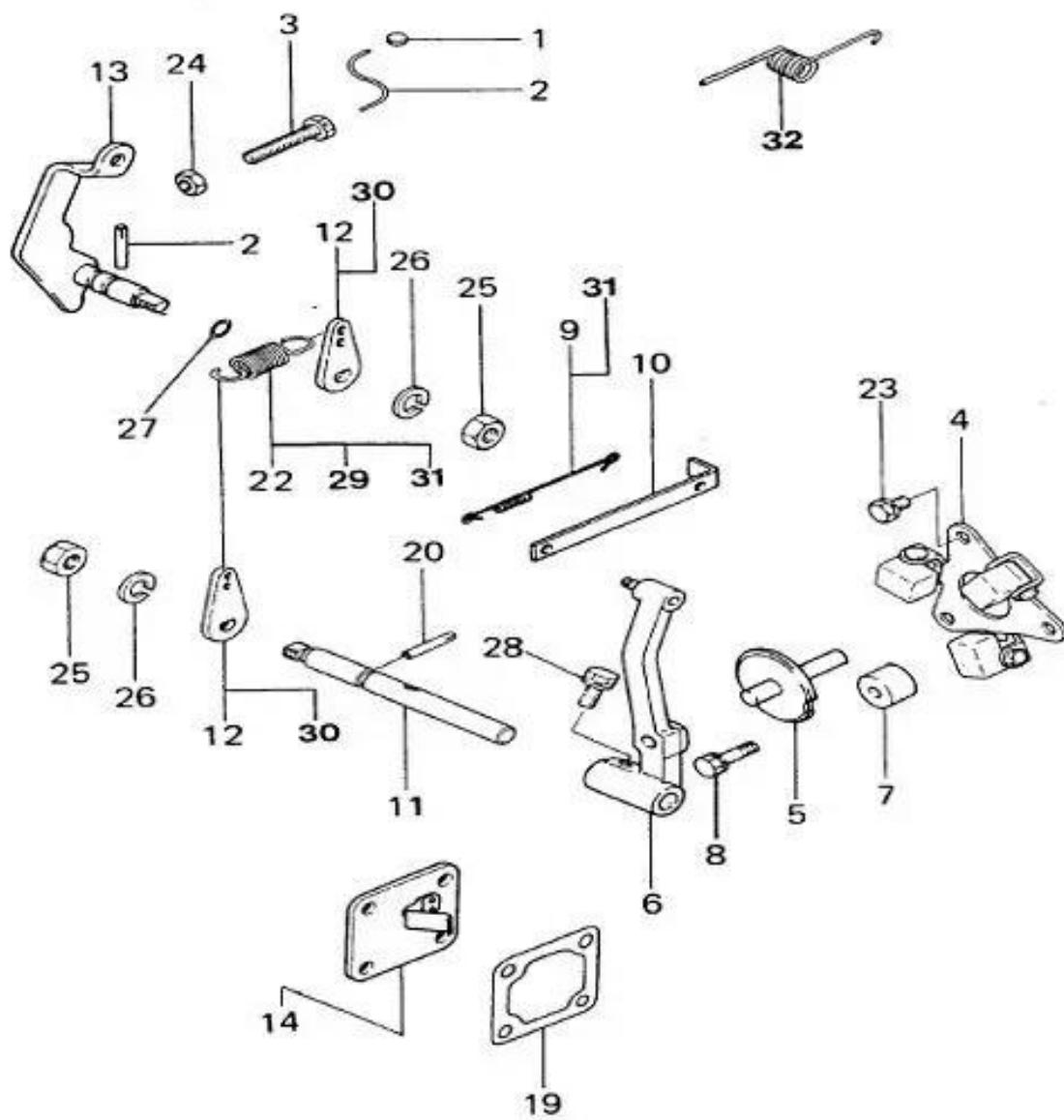


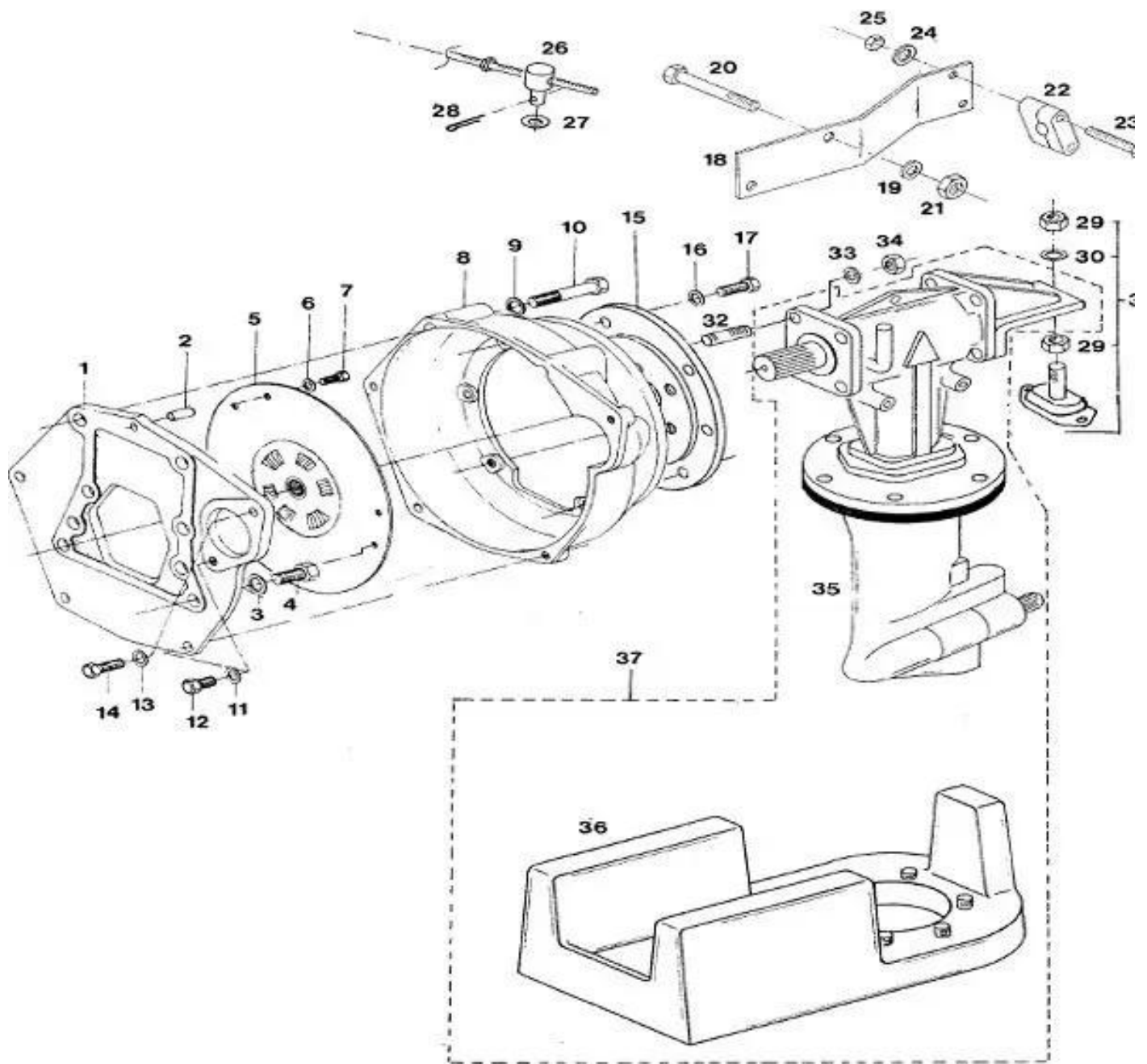


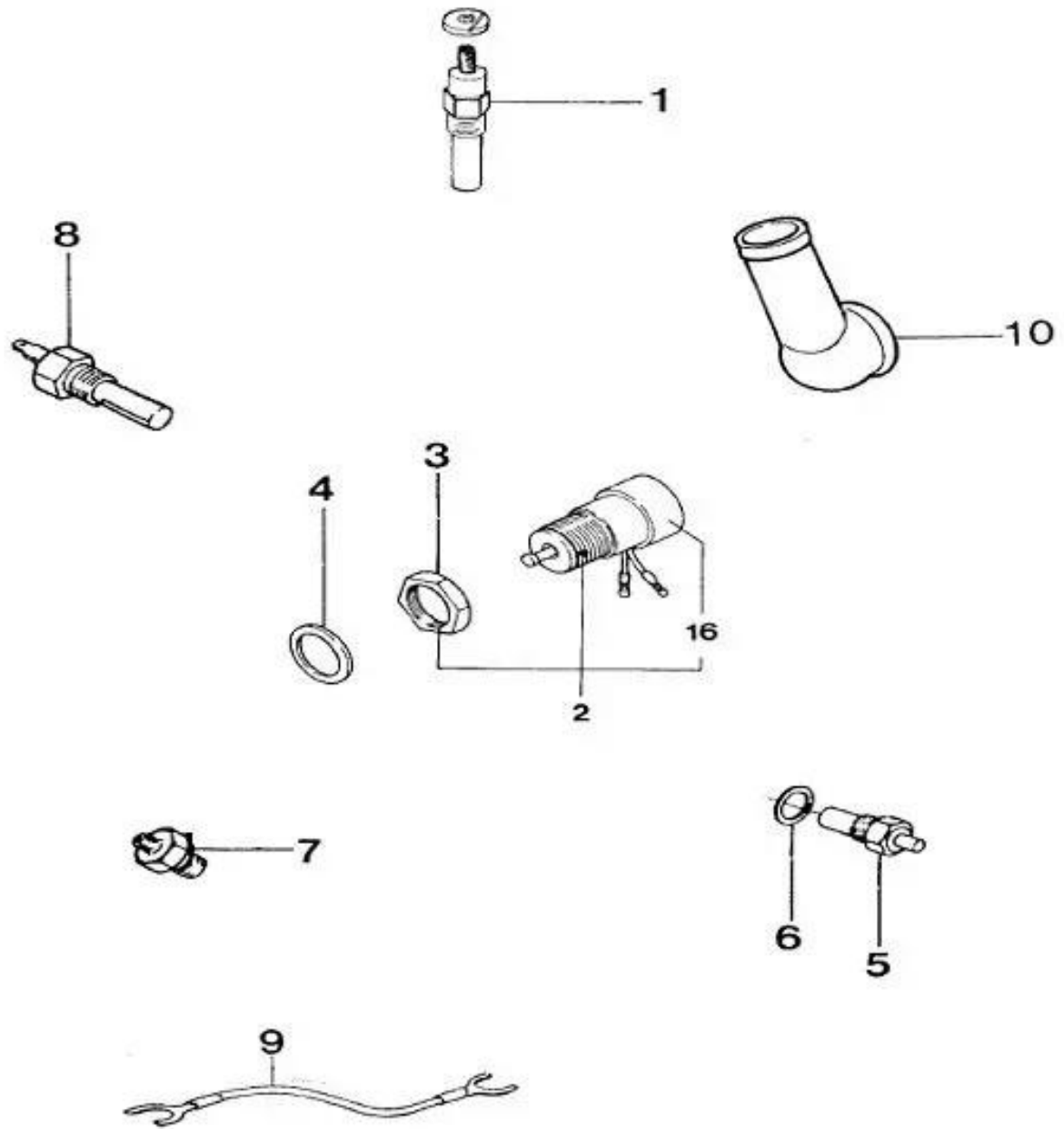




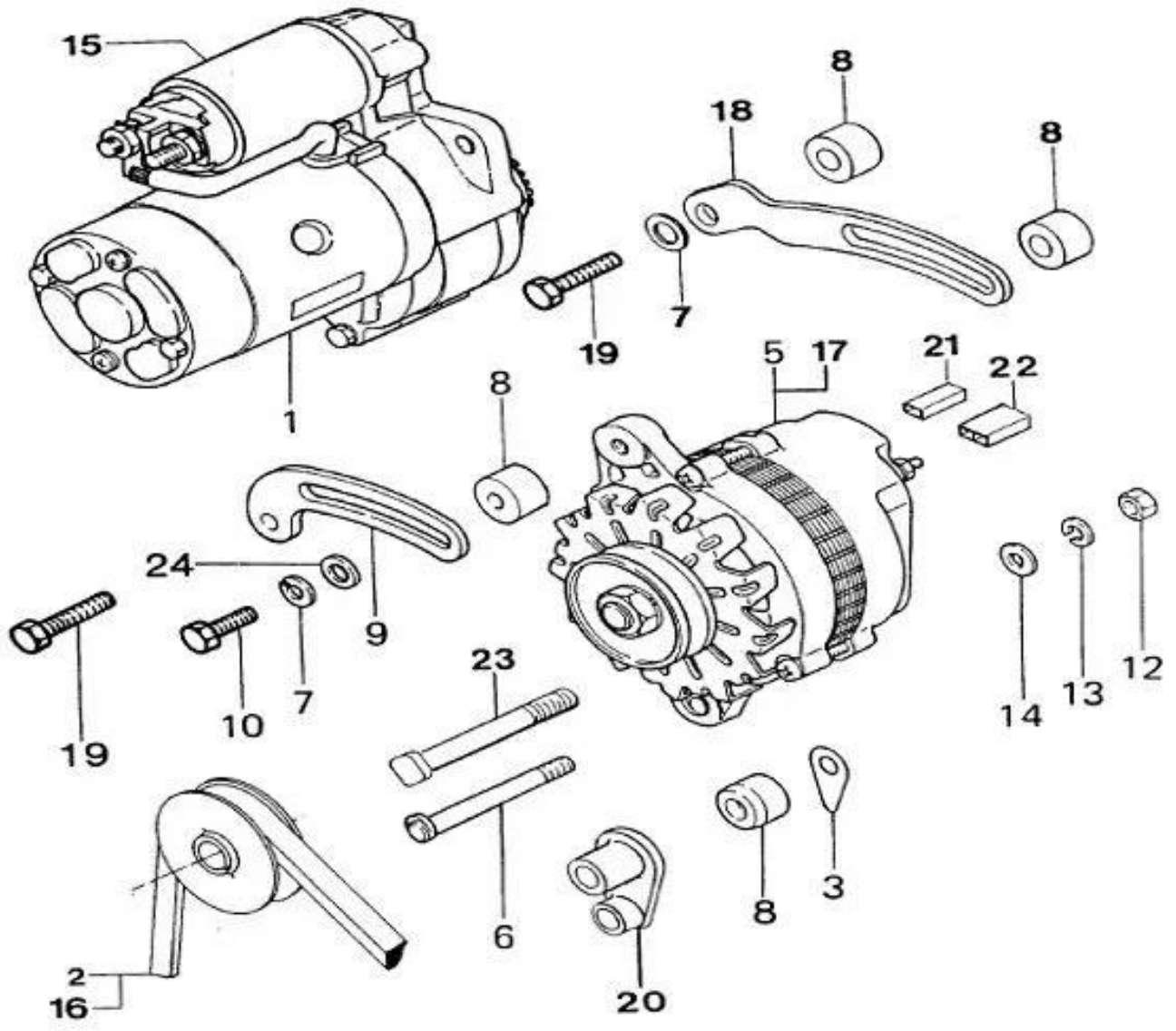




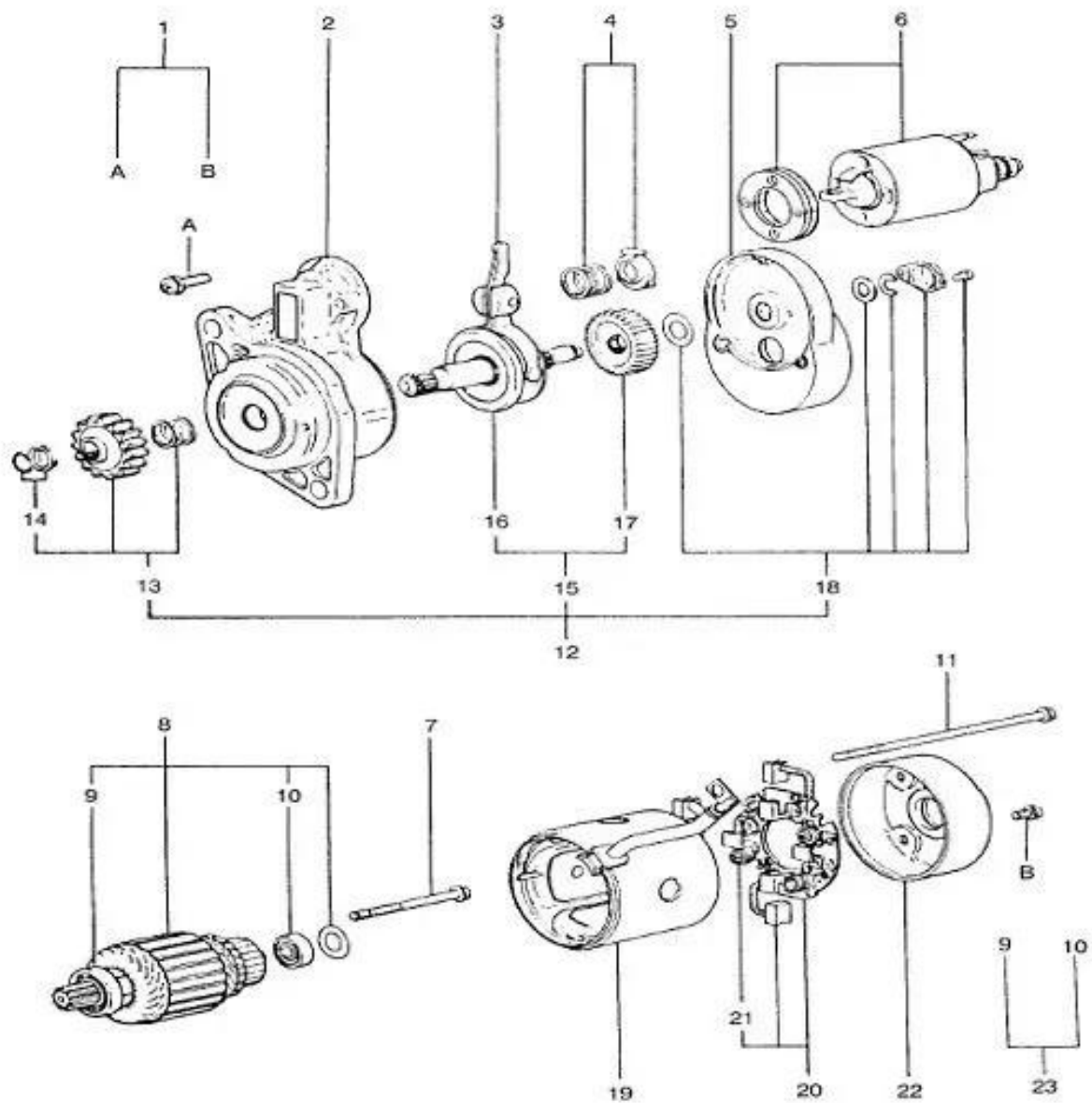




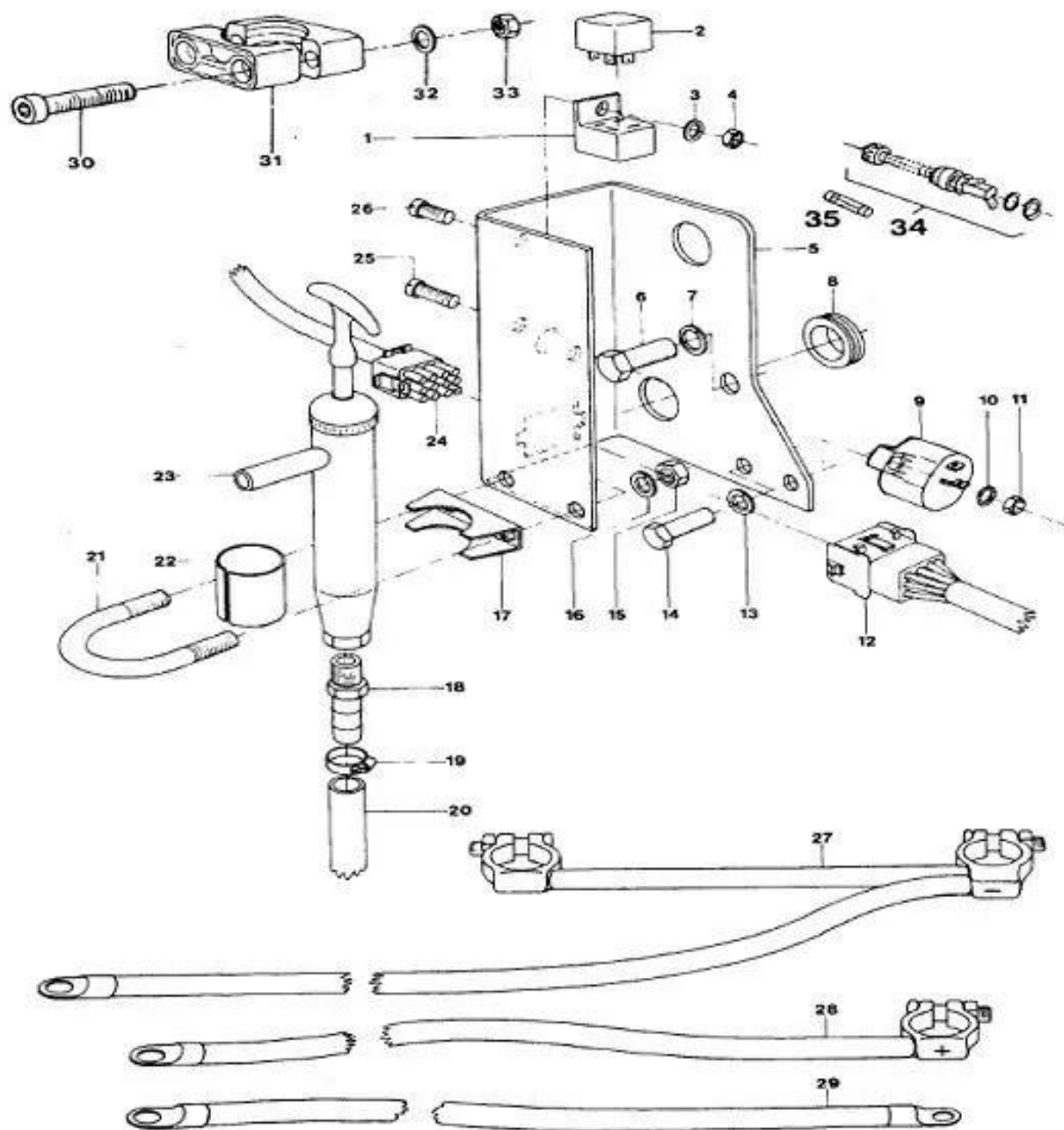
m4.14_starter_motor_and_alternator

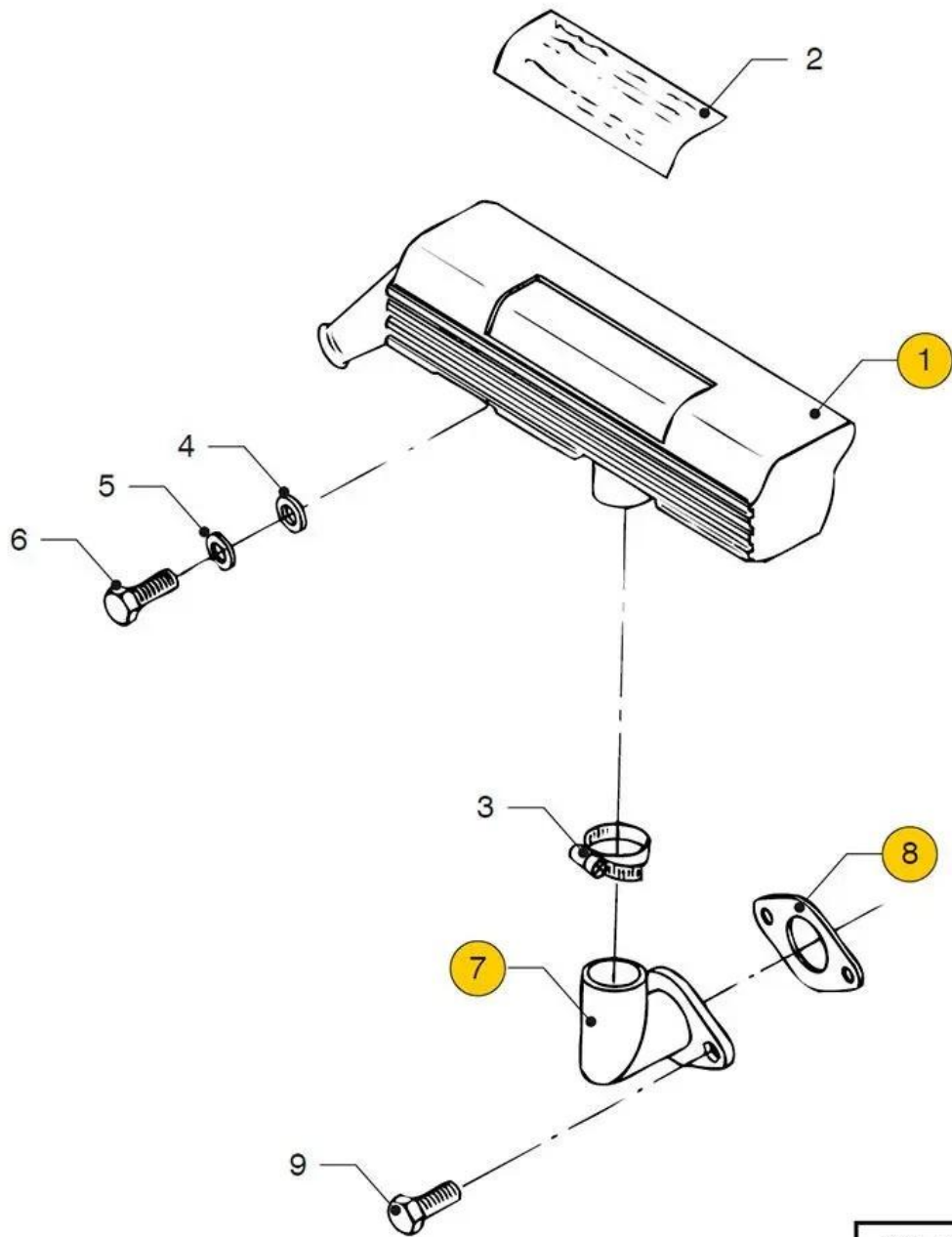


m4.14_startermotor



m4.14_startermotor





06-2009 <-

