

parts catalogue



M4.15
M4.17

Deze onderdelencatalogus bevat waardevolle informatie voor onderhoud en service aan uw motor.

Wij adviseren U, bij vervanging alleen originele **VETUS** onderdelen toe te passen.

Het typeplaatje bevat informatie over de typeaanduiding, het motornummer en de serie.

Gebruik deze informatie bij bestelling van onderdelen.

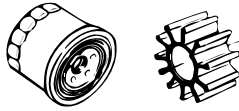
This parts'catalogue contains valuable information for maintenance and service over your engine.

For replacement, we recommend that you use only genuine **VETUS** parts.

The identification tag contains information about model, serial number and series.

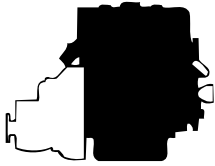
Use this information when ordering parts.

1



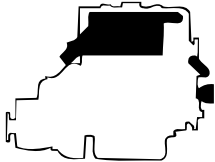
Reserve kits
Spare parts kit

2



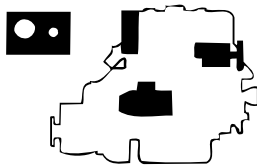
Motor
Engine

3



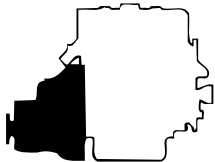
Koeling
Cooling

4



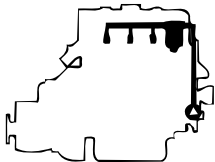
Electra, bediening en instrumenten
Electrics, controls, instruments

5



Aandrijving
Transmission

6



Brandstofsysteem
Fuel system

7

Generator
Generator

8

Gereedschappen
Tools

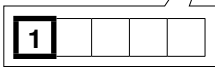
9

10

Accessoires
Optionals

MA15 MA17		Servicekit	Service kit	
pos.	qty	part	benaming	description
1	1	STM050	Brandstoffilter	Fuel filter
2	1	STM070	Injectief + pakking zeesaierpomp	Injector + gasket seawater pump
3	1	STM001	Oilfilter	Oil filter
4	1	STM090	Vervang 110 A dynamo	Vibelt 110 A alternator
5	1	STM040	Service kit opt. 102 A dynamo	Service kit opt. 102 A dynamo
5	1	STM040	Service kit opt. 110 A dynamo	Service kit opt. 110 A dynamo

113001-01 13/06/08 Rev. 0 1-1

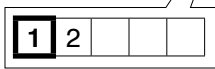


De volledige stuklijst staat op deze pagina.

The full parts list is shown on this page.

MA15 MA17		Motorblok	Engine block	
pos.	qty	part	benaming	description
1	1	STM742	Motorblok	Engine block
2	1	STM090	Motorblok	Engine block
3	3	STM743	Kap	Cap
4	3	STM744	Kap	Cap
5	10	STM745	Bout	Bush
6	1	STM746	Bus	Bush
7	1	STM007	Oleierol	Guide
8	1	STM747	Kap	Cap
9	3	STM748	Kap	Cap
10	1	STM749	Plug	Plug
11	4	STM750	Bus	Bush
12	2	STM010	Bus	Bush

113001-01 13/06/08 Rev. 0 2-1

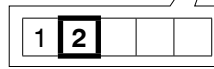


De stuklijst is verdeeld over 2 pagina's. Op deze pagina staat het **eerste** deel.

The parts list is spread over 2 pages. On this page the **first** part is shown.

MA15 MA17		Motorblok	Engine block	
pos.	qty	part	benaming	description
13	1	STM011	Bus	Bush
14	1	STM009	Plug	Plug
15	1	STM751	Pin	Pin
16	2	STM002	Pin	Pin
17	1	STM752	Ax	Shaft
18	1	STM753	Kogel	Ball
19	1	STM754	Ax	Shaft
20	4	STM755	Afsluiting	Seal
21	1	STM756	Ax	Shaft
22	2	STM757	Pin	Pin
23	1	STM758	Plug	Plug
24	1	STM007	Kap	Cap

113001-01 13/06/08 Rev. 0 2-2



De stuklijst is verdeeld over 2 pagina's. Op deze pagina staat het **tweede** deel.

The parts list is spread over 2 pages. On this page the **second** part is shown.

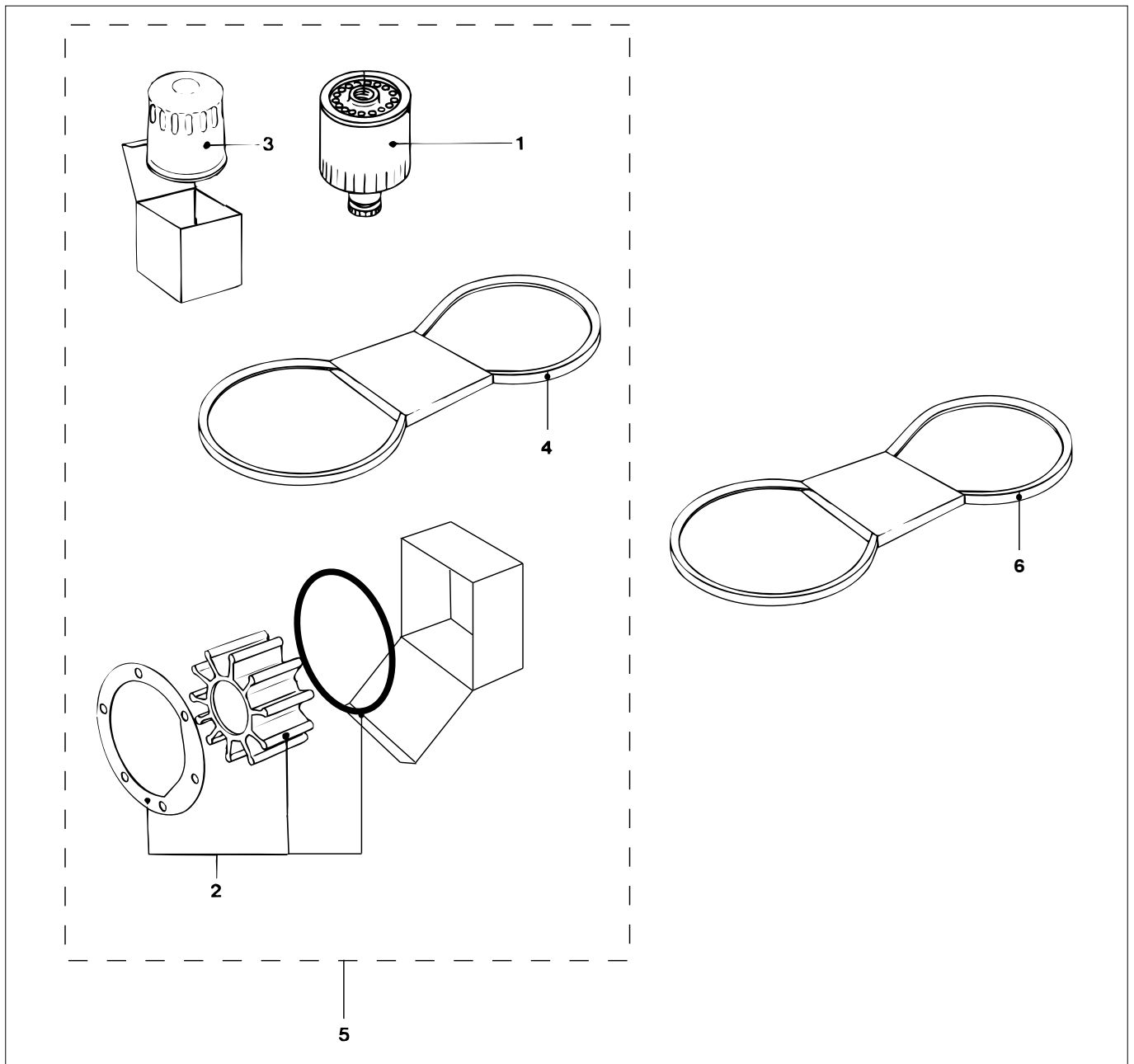
Inhoud

Contents

pag. page	type	omschrijving	description
1-1	M4.15 M4.17	Servicekit	Service kit
1-2			
2-1	M4.15 M4.17	Motorblok	Engine block
2-2	M4.15 M4.17	Motorblok	Engine block
2-3	M4.15 M4.17	Motorblok	Engine block
2-4	M4.15 M4.17	Krukas + zuiger	Crankshaft + piston
2-5	M4.15 M4.17	Krukas + zuiger	Crankshaft + piston
2-6	M4.15 M4.17	Kleppen	Valves
2-7	M4.15 M4.17	Kleppen	Valves
2-8	M4.15 M4.17	Cilinderkop	Cylinder head
2-9	M4.15 M4.17	Kleppendecksel + nokkenas	Rocker cover + camshaft
2-10	M4.15 M4.17	PTO	PTO
2-11	M4.15 M4.17	PTO	PTO
2-12	M4.15 M4.17	Carterpan + oliepomp	Oil pan + oil pump
2-13	M4.15 M4.17	Luchtinlaat	Airintake
2-14	M4.15 M4.17	Revisie pakkingset	Overhaul gasket kit
2-15	M4.15 M4.17	Revisie pakkingset	Overhaul gasket kit
2-16	M4.15 M4.17	Motorsteunen	Engine supports
3-1	M4.15 M4.17	Circulatiepomp	Circulation pump
3-2	M4.15 M4.17	Warmtewisselaar unit	Heatexchanger unit
3-3	M4.15 M4.17	Warmtewisselaar unit	Heatexchanger unit
3-4	M4.15 M4.17	Kielkoelspruitstuk	Keelcooler manifold
3-5	M4.15 M4.17	Kielkoelspruitstuk	Keelcooler manifold
3-6	M4.15 M4.17	Aansluiting circulatiepomp, kielkoeling 06-2009 <-	Connection of circulation pump, keelcooling 06-2009 <-
3-7	M4.15 M4.17	Aansluiting circulatiepomp, kielkoeling ->06-2009	Connection of circulation pump, keelcooling ->06-2009
3-8	M4.15 M4.17	Thermostaathuis	Thermostat housing
3-9	M4.15 M4.17	Slangen, binnenwater 06-2009 <-	Hoses, coolant 06-2009<-
3-10	M4.15 M4.17	Slangen, binnenwater 06-2009 ->	Hoses, coolant 06-2009 ->
3-11	M4.15 M4.17	Slangen, buitenwater	Hoses, raw water
3-12	M4.15 M4.17	Luchtinlaatkast 06-2009 <-	Air intake housing 06-2009 <-
3-13	M4.15 M4.17	Luchtinlaatkast 06-2009 ->	Air intake housing 06-2009 ->
3-14	M4.15 M4.17	Zee水泵	Seawater pump
4-1	M4.15 M4.17	Startmotor + dynamo	Starter motor + alternator
4-2	M4.15 M4.17	Startmotor + dynamo	Starter motor + alternator
4-3	M4.15 M4.17	Dynamo 110 A - 12 V 1P , Standaard	Alternator 110 A - 12 V Earth return, Standard
4-4	M4.15 M4.17	Dynamo 12V-110A 1p 2e dynamo, kielkoeling 06-2009<-	Alternator 12V-110A 1p 2nd alternator, keelcooling 06-2009<-
4-5	M4.15 M4.17	Dynamo 12V-110A 1p 2e dynamo, kielkoeling 06-2009<-	Alternator 12V-110A 1p 2nd alternator, keelcooling 06-2009<-
4-6	M4.15 M4.17	Tweede dynamo 12 V - 75 A, 1p., Interkoeling	Extension alternator 12 V - 75 A, 1p., Intercooling

pag. page	type	omschrijving	description
4-7	M4.15 M4.17	Tweede dynamo 12 V - 75 A, 1p., Interkoeling	Extension alternator 12 V - 75 A, 1p., Intercooling
4-8	M4.15 M4.17	Tweede dynamo 12 V - 110 A, 1p., kielkoeling	Extension alternator 12 V - 110 A, 1p., keelcooling
4-9	M4.15 M4.17	Tweede dynamo 12 V - 110 A, 1p., kielkoeling	Extension alternator 12 V - 110 A, 1p., keelcooling
4-10	M4.15 M4.17	Zenders + schakelaars	Sender units + switches
4-11	M4.15 M4.17	Bedradingskast 2001 <-	Terminal box 2001 <-
4-12	M4.15 M4.17	Bedradingskast 2001 ->	Terminal box 2001 ->
4-13	M4.15 M4.17	Instrumenten paneel '20' standaard 2001 <-	Instrument panel '20' standard 2001 <-
4-14	M4.15 M4.17	Instrumenten paneel '22' standaard 2001 <-	Instrument panel '22' standard 2001 <-
4-15	M4.15 M4.17	Instrumenten paneel '22' standaard 2001 ->	Instrument panel '20' standard 2001 ->
4-16	M4.15 M4.17	Instr. paneel model '22' voor motor met 2e dynamo, kielkoeling	Instr. panel model '22' for engine with 2nd alternator, keelcooling
4-17	M4.15 M4.17	Instr. paneel model '34'	Instr. panel model '34'
4-18	M4.15 M4.17	Instr. paneel model '34'	Instr. panel model '34'
4-19	M4.15 M4.17	Instr. paneel model '34'	Instr. panel model '34'
4-20	M4.15 M4.17	Instr. paneel model '34' voor motor met 2e dynamo, kielkoeling	Instr. panel model '34' for engine with 2nd alternator, keelcooling
4-21	M4.15 M4.17	Bediening, GAS	Controls, THROTTLE
4-22	M4.15 M4.17	Bediening, KEERKOPPELING	Controls, GEARBOX
5-1	M4.15	Vlieg wielhuis TMC40	Flywheel housing TMC40
5-2	M4.15	Vlieg wielhuis TMC60	Flywheel housing TMC60
5-3	M4.15	Vlieg wielhuis TM345H (A)	Flywheel housing TM345H (A)
5-4	M4.15	Vlieg wielhuis ZF10M	Flywheel housing ZF10M
5-5	M4.15	Vlieg wielhuis ZF12M	Flywheel housing ZF12M
5-6	M4.15	Vlieg wielhuis ZF15MA	Flywheel housing ZF15MA
5-7	M4.15	Vlieg wielhuis ZF12	Flywheel housing ZF12
5-8	M4.15	Vlieg wielhuis ZF25 (A)	Flywheel housing ZF25 (A)
5-9	M4.15	Vlieg wielhuis PRM150	Flywheel housing PRM150
5-10	M4.17	Vlieg wielhuis TMC40	Flywheel housing TMC40
5-11	M4.17	Vlieg wielhuis TMC60	Flywheel housing TMC60
5-12	M4.17	Vlieg wielhuis TM345H (A)	Flywheel housing TM345H (A)
5-13	M4.17	Vlieg wielhuis ZF10M	Flywheel housing ZF10M
5-14	M4.17	Vlieg wielhuis ZF12M	Flywheel housing ZF12M
5-15	M4.17	Vlieg wielhuis ZF15MA	Flywheel housing ZF15MA
5-16	M4.17	Vlieg wielhuis ZF12	Flywheel housing ZF12
5-17	M4.17	Vlieg wielhuis ZF25 (A)	Flywheel housing ZF25 (A)
5-18	M4.17	Vlieg wielhuis PRM150	Flywheel housing PRM150
5-19	M4.15 M4.17	Oliekoeler keerkoppeling	Oil cooler gearbox
5-20			
6-1	M4.15 M4.17	Regulateur	Regulator
6-2	M4.15 M4.17	Regulateur	Regulator
6-3	M4.15 M4.17	Brandstofleidingen	Fuel pipes
6-4	M4.15 M4.17	Brandstofpomp	Fuel pump
6-5	M4.15 M4.17	Brandstofpomp	Fuel pump

pag. page	type	omschrijving	description
6-6	M4.15 M4.17	Verstuiverhouder	Nozzle holder
6-7	M4.15 M4.17	Brandstoffilter	Fuel filter
6-8	M4.15 M4.17	Brandstoffilter	Fuel filter
6-9	M4.15 M4.17	Brandstoffilter	Fuel filter
6-10			
10-1	M4.15 M4.17	Verloopset saildrive 110S	Adaptor kit saildrive 110S
10-2	M4.15 M4.17	Verloopset saildrive 120S	Adaptor kit saildrive 120S
10-3	M4.15 M4.17	Verloopset saildrive 120SB	Adaptor kit saildrive 120SB
10-4	M4.15 M4.17	Saildrive ZF SD10	Saildrive ZF SD10
10-5	M4.15 M4.17	Saildrive ZF SD10	Saildrive ZF SD10
10-6	M4.15 M4.17	Saildrive ZF SD10	Saildrive ZF SD10
10-7	M4.15 M4.17	Boileraansluiting, interkoeling, 06-2009 <-	Calorifier connection, intercooling, 06-2009 <-
10-8	M4.15 M4.17	Boileraansluiting, interkoeling, 06-2009 ->	Calorifier connection, intercooling, 06-2009 ->
10-9	M4.15 M4.17	Boileraansluiting, kielkoeling, 06-2009 <-	Calorifier connection, keelcooling, 06-2009 <-
10-10	M4.15 M4.17	Boileraansluiting, kielkoeling, 06-2009 ->	Calorifier connection, keelcooling, 06-2009 ->
10-11	M4.15 M4.17	Aanbouwdelen hydraulische aandrijving	Adapter parts for hydraulic propulsion
10-12			
		Register	Index

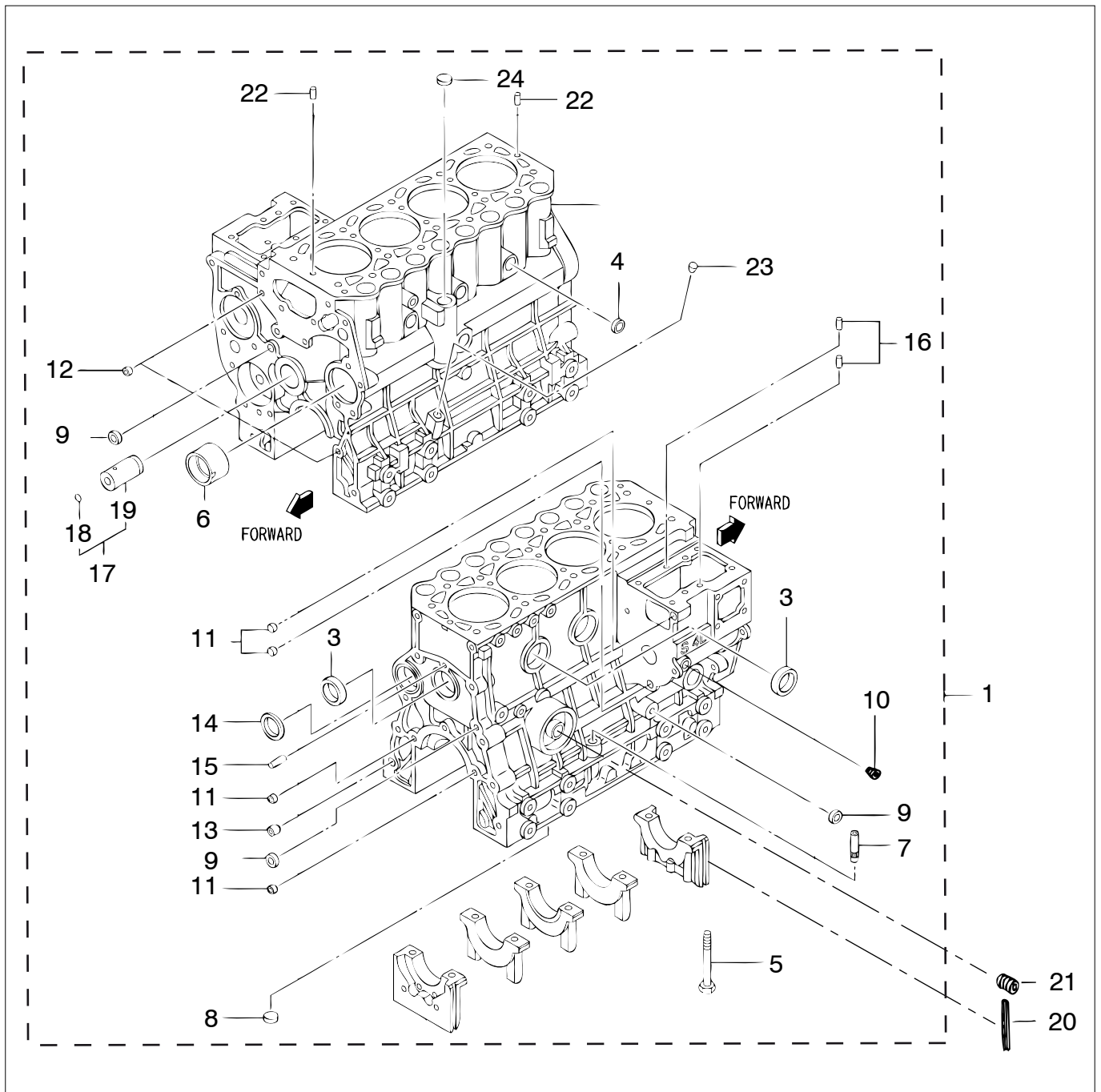


M4.15 M4.17

Servicekit

Service kit

pos.	qty	part	benaming	description
1	1	STM3690	Brandstoffilter	Fuel filter
2	1	STM8076	Impeller + pakking zeewaterpomp	Impeller + gasket seawater pump
3	1	STM0051	Oliefilter	Oil filter
4	1	STM7966	V-snaar 50 A dynamo	V-belt 50 A alternator
	1	STM7643	V-snaar 110 A dynamo AVX 10x995 la (SPZ)	V-belt 110 A alternator
5	1	STM9543	Service kit cpl. 50 A dynamo	Service kit cpl. 50 A dynamo
	1	STM9450	Service kit cpl. 110 A dynamo	Service kit cpl. 110 A dynamo
6	1	STM7444	V-snaar 110 A dynamo (kielkoeling) <-06-2009, zie pag. 4-4	V-belt 110 A alternator (keelcooling) <-06-2009, refer to page 4-4
	1	STM9857	V-snaar 75 A dynamo 06-2009 ->, zie pag. 4-6	V-belt 75 A alternator ->06-2009, refer to page 4-6
	1	STM9858	V-snaar 110 A dynamo 06-2009 ->, zie pag. 4-8	V-belt 110 A alternator ->06-2009, refer to page 4-8

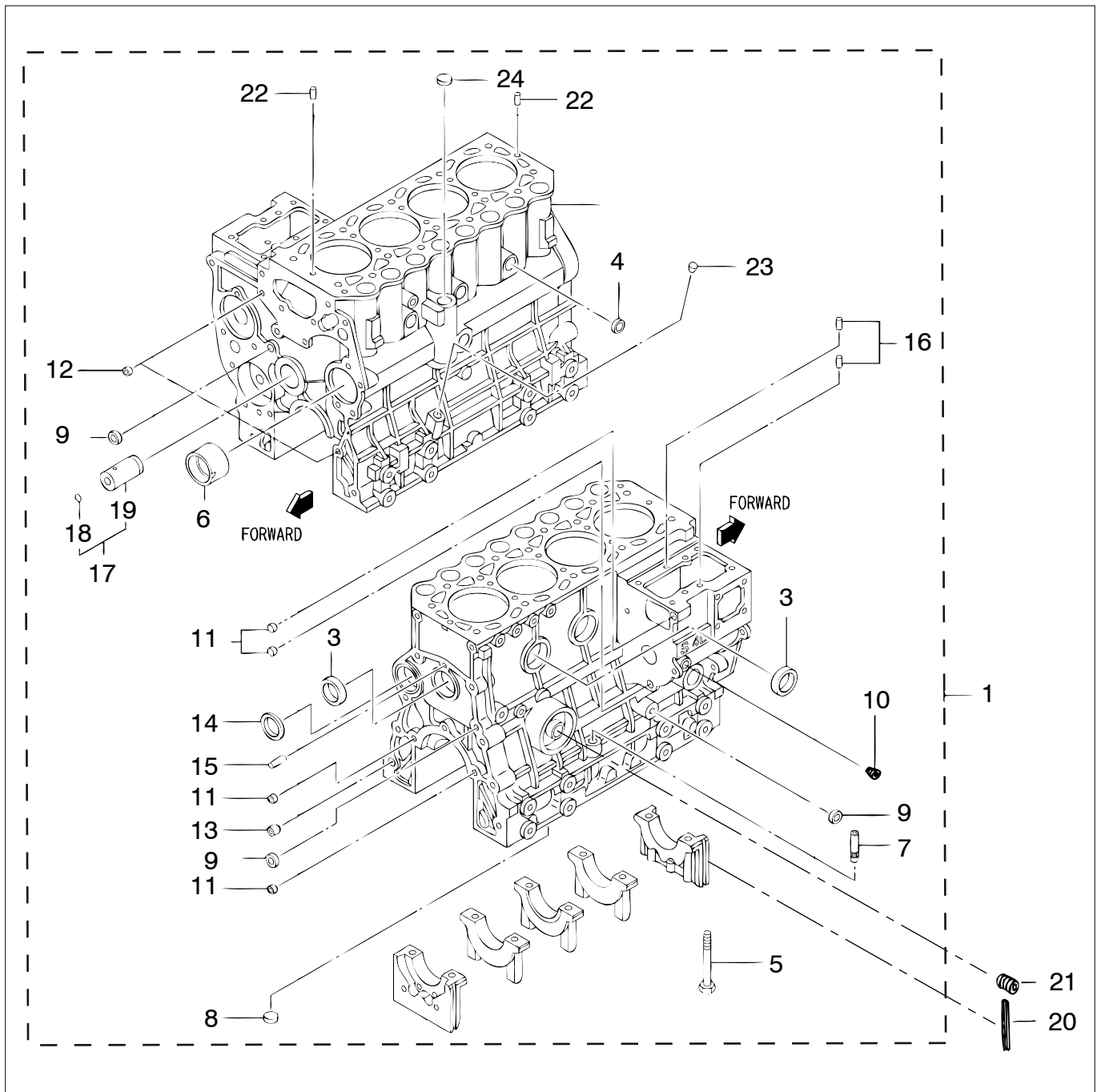


M4.15 M4.17

Motorblok

Engine block

pos.	qty	part	benaming	description
1	1	STM7742	Motorblok	Engine block
3	3	STM7743	Kap	Cap
4	3	STM7744	Kap	Cap
5	10	STM7745	Bout	Bolt
6	1	STM7746	Bus	Bush
7	1	STM3387	Geleider	Guide
8	1	STM7747	Kap	Cap
9	3	STM7748	Kap serienr. 131522 <-	Cap serial nr. 131522 <-
	1	STM7748	Kap serienr. 131523 ->	Cap serial nr. 131523 ->
	2	STM9477	Plug serienr. 131523 ->	Plug serial nr. 131523 ->
10	1	STM7749	Plug	Plug
11	4	STM7750	Bus	Bush
12	2	STM2510	Bus	Bush

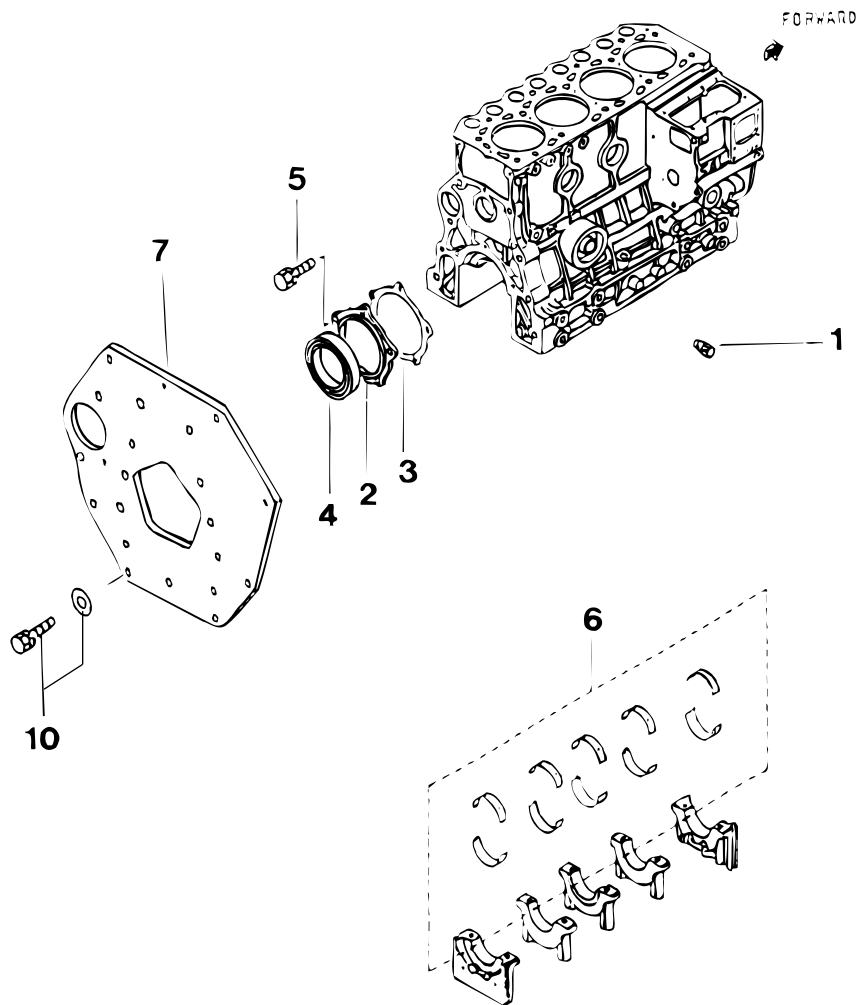


M4.15 M4.17

Motorblok

Engine block

pos.	qty	part	benaming	description
13	1	STM2511	Bus	Bush
14	1	STM2508	Plug	Plug
15	1	STM7751	Pen	Pin
16	2	STM2492	Pen	Pin
17	1	STM7752	As	Shaft
18	1	STM7753	Kogel	Ball
19	1	STM7754	As	Shaft
20	4	STM7755	Afdichting	Seal
21	1	STM7756	As	Shaft
22	2	STM7757	Pen	Pin
23	1	STM7758	Plug	Plug
24	1	STM2537	Kap	Cap

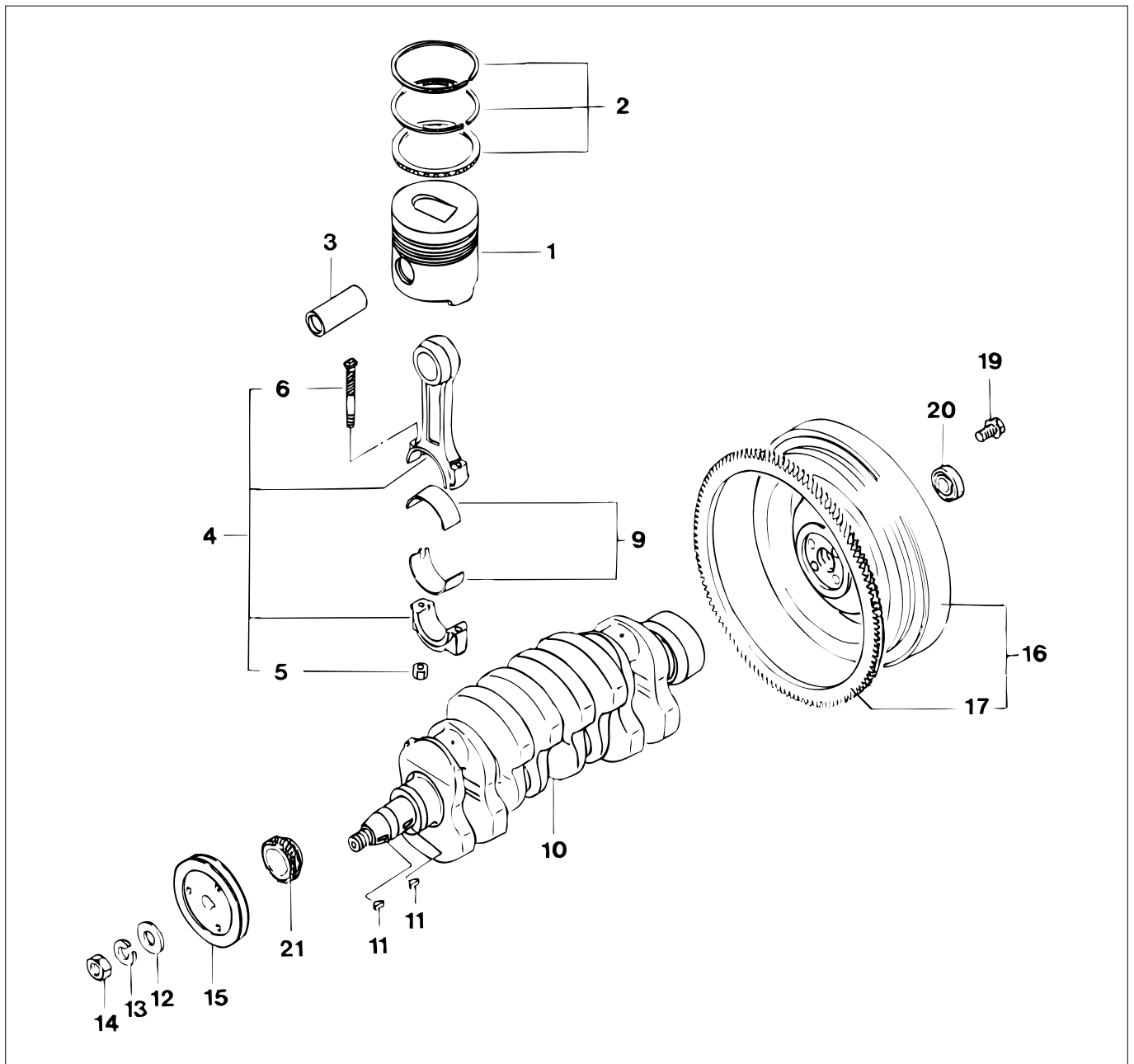


M4.15 M4.17

Motorblok

Engine block

pos.	qty	part	benaming	description
1	1	STM2513	Plug	Plug
2	1	STM7760	Huis	Case
3	1	STM7761	Pakking	Gasket
4	1	STM7762	Afdichting	Seal
5	5	STM7763	Bout	Bolt
6	1	STM3389	Lagerset std.	Bearing kit std.
		1 STM7764	Lagerset 0,25	Bearing kit 0.25
		1 STM7765	Lagerset 0,50	Baering kit 0.50
		1 STM7766	Lagerset 0,75	Bearing kit 0.75
7	1	STM7767	Achterplaat	Rear plate
10	6	STM7769	Bout + Ring	Bolt + Washer

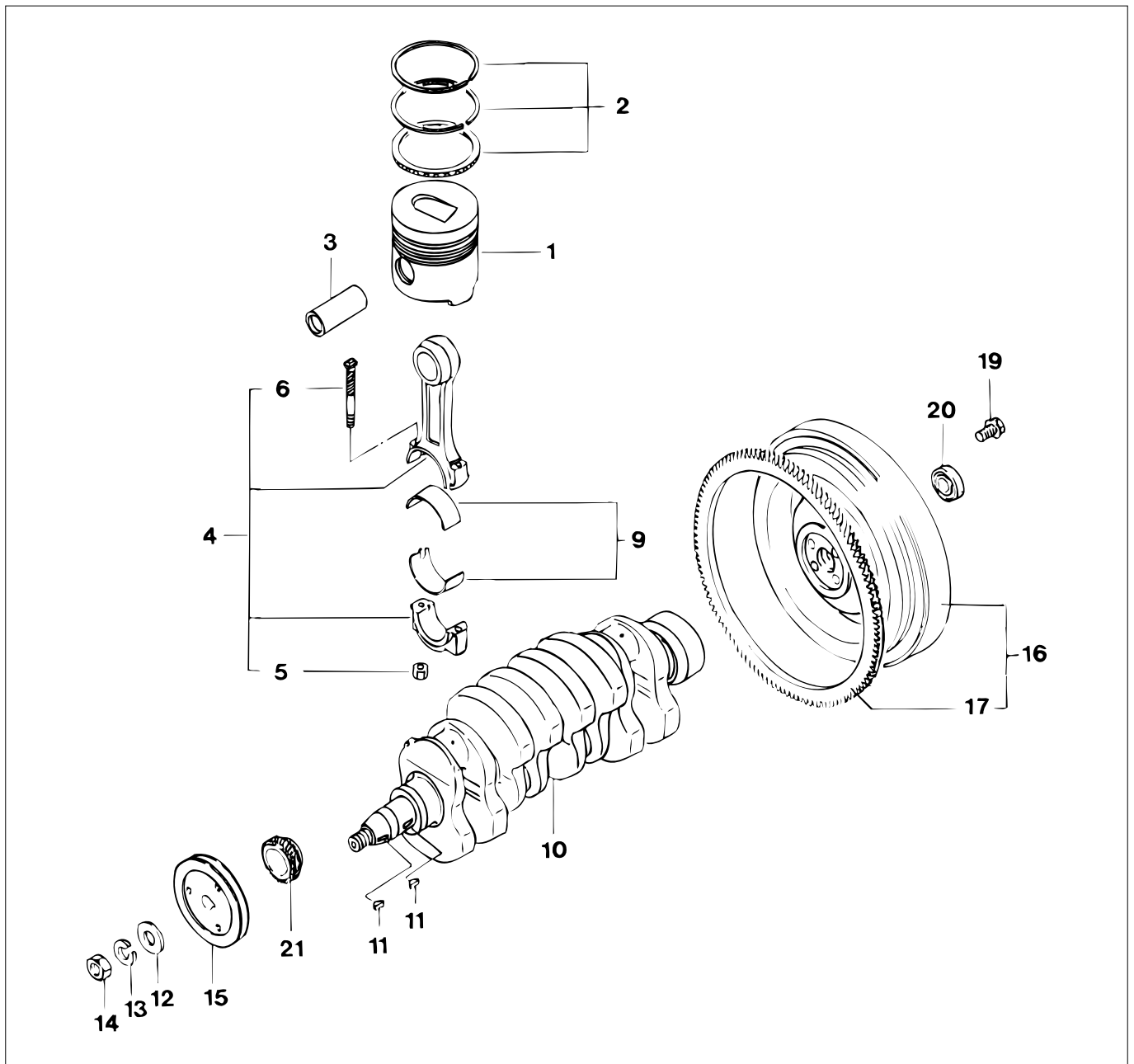


M4.15 M4.17

Krukas + zuiger

Crankshaft + piston

pos.	qty	part	benaming	description
1	4	STM7787	Zuiger std.	Piston std.
	4	STM7788	Zuiger 0,25	Piston 0.25
	4	STM7789	Zuiger 0,50	Piston 0.50
2	4	STM7790	Ringen set std.	Ring set std.
	4	STM7791	Ringen set 0,25	Ring set 0.25
	4	STM7792	Ringen set 0,50	Ring set 0.50
3	4	STM7793	Piston pen	Piston pin
4	4	STM7410	Drijfstang cpl. M4.15	Rod cpl. M4.15
	4	STM7794	Drijfstang cpl. M4.17	Rod cpl. M4.17
5	8	STM7795	Moer	Nut
6	8	STM7796	Bout	Bolt
9	4	STM7799	Lagerset std.	Bearing set std
	4	STM7800	Lagerset 0,25	Bearing set 0.25
	4	STM7801	Lagerset 0,50	Bearing set 0.50

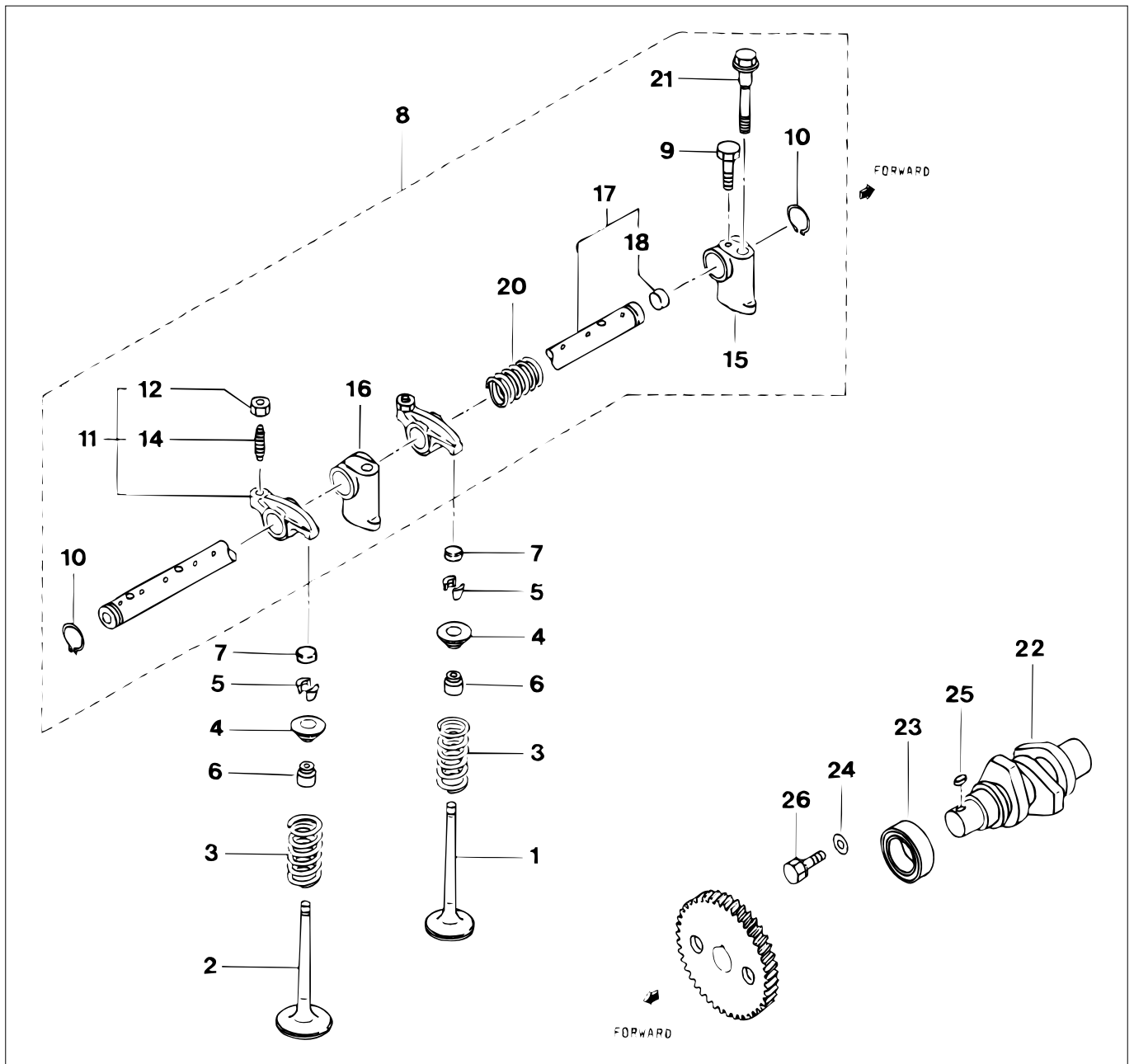


M4.15 M4.17

Krukas + zuiger

Crankshaft + piston

pos.	qty	part	benaming	description
	4	STM7802	Lagerset 0,75	Bearing set 0.75
10	1	STM7411	Krukas M4.15	Crankshaft M4.15
	1	STM7803	Krukas M4.17	Crankshaft M4.17
11	2	STM2569	Spie	Key
12	1	STM7804	Ring	Washer
13	1	STM7805	Ring	Washer
14	1	STM7806	Moer	Nut
15	1	STM7807	Snaarschijf	Pulley
16	1	STM7809	Vliegwiel + krans	Flywheel + gear ring
17	1	STM7810	Starterkrans	Gear ring
19	4	STM3448	Bout	Bolt
20	1	STM2574	Lager	Bearing
21	1	STM7812	Tandwiel	Gear

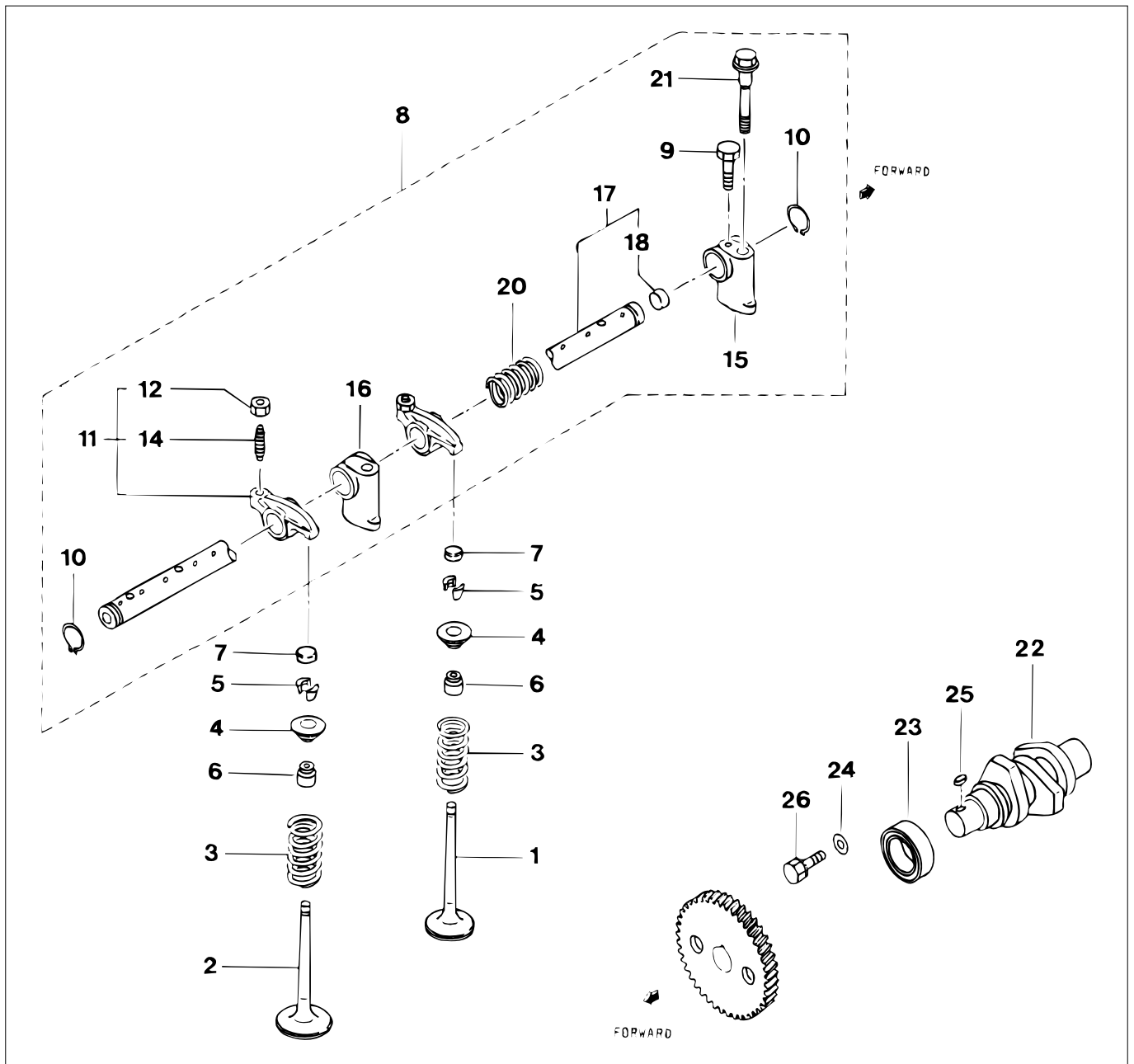


M4.15 M4.17

Kleppen

Valves

pos.	qty	part	benaming	description
1	4	STM7712	Inlaatklep	Inlet valve
2	4	STM7713	Uitlaatklep	Exhaust valve
3	8	STM7714	Veer	Spring
4	8	STM7715	Veerschotel	Retainer valve spring
5	16	STM2588	Klepspie	Lock valve retainer
6	8	STM2589	Ring	Washer
7	8	STM7716	Kap	Cap
8	1	STM7717	Tuimelaaras, cpl.	Rockershaft, cpl.
9	1	STM7718	Bout	Bolt
10	2	STM2603	Borgveer	Ring snap
11	8	STM7719	Tuimelaar cpl.	Rocker cpl.
12	8	STM7720	Moer	Nut
14	8	STM7721	Stelbout	Bolt
15	1	STM7722	Steun	Bracket
16	3	STM7723	Steun	Bracket

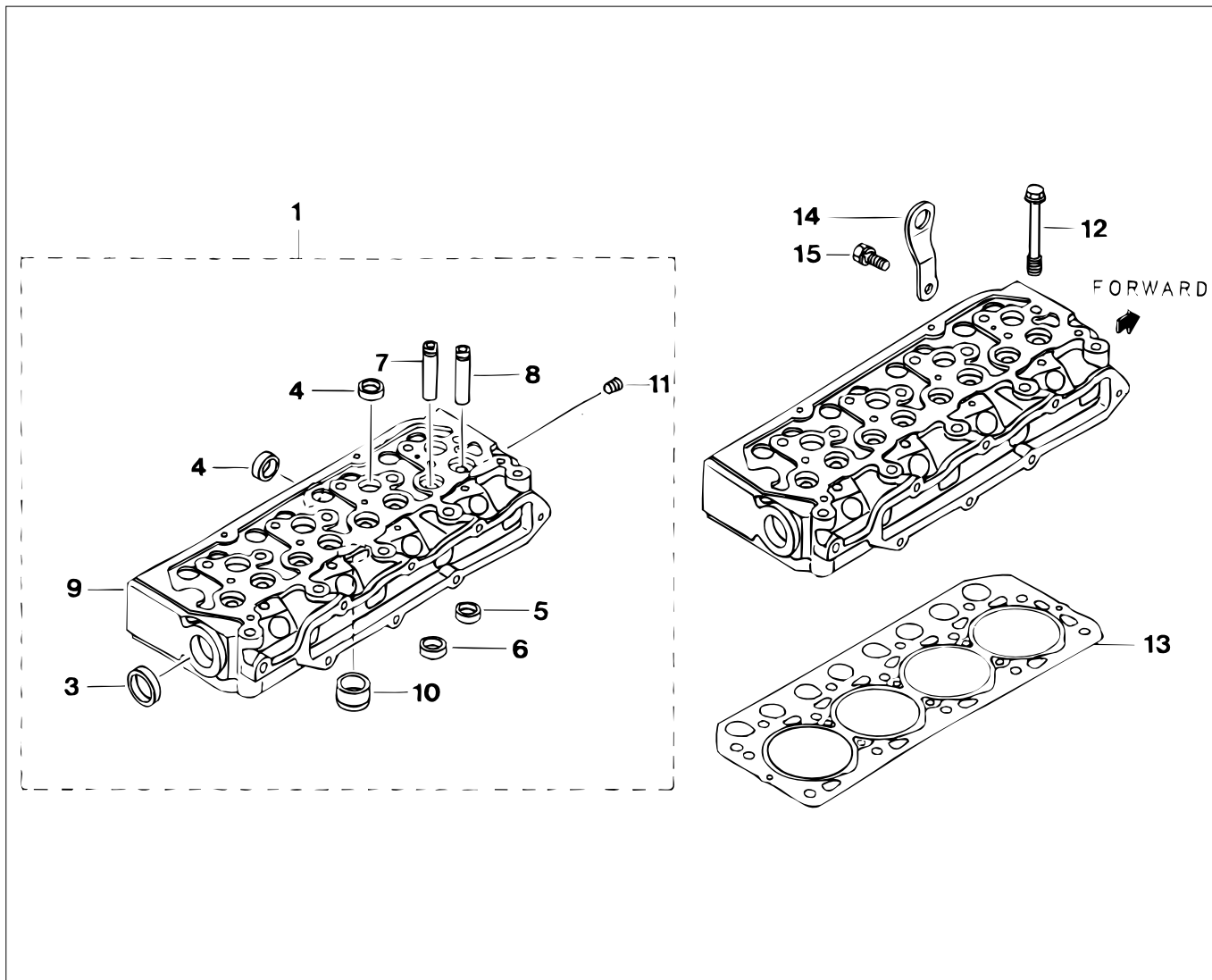


M4.15 M4.17

Kleppen

Valves

pos.	qty	part	benaming	description
17	1	STM7724	As	Shaft
18	2	STM7725	Kap	Cap
20	3	STM7727	Veer	Spring
21	4	STM7728	Bout	Bolt
22	1	STM7729	As (brandstofpomp)	Shaft (fuel inj. pump)
23	1	STM2583	Lager	Bearing
24	1	STM2580	Ring	Washer
25	1	STM7730	Spie	Key
26	1	STM7731	Bout	Bolt

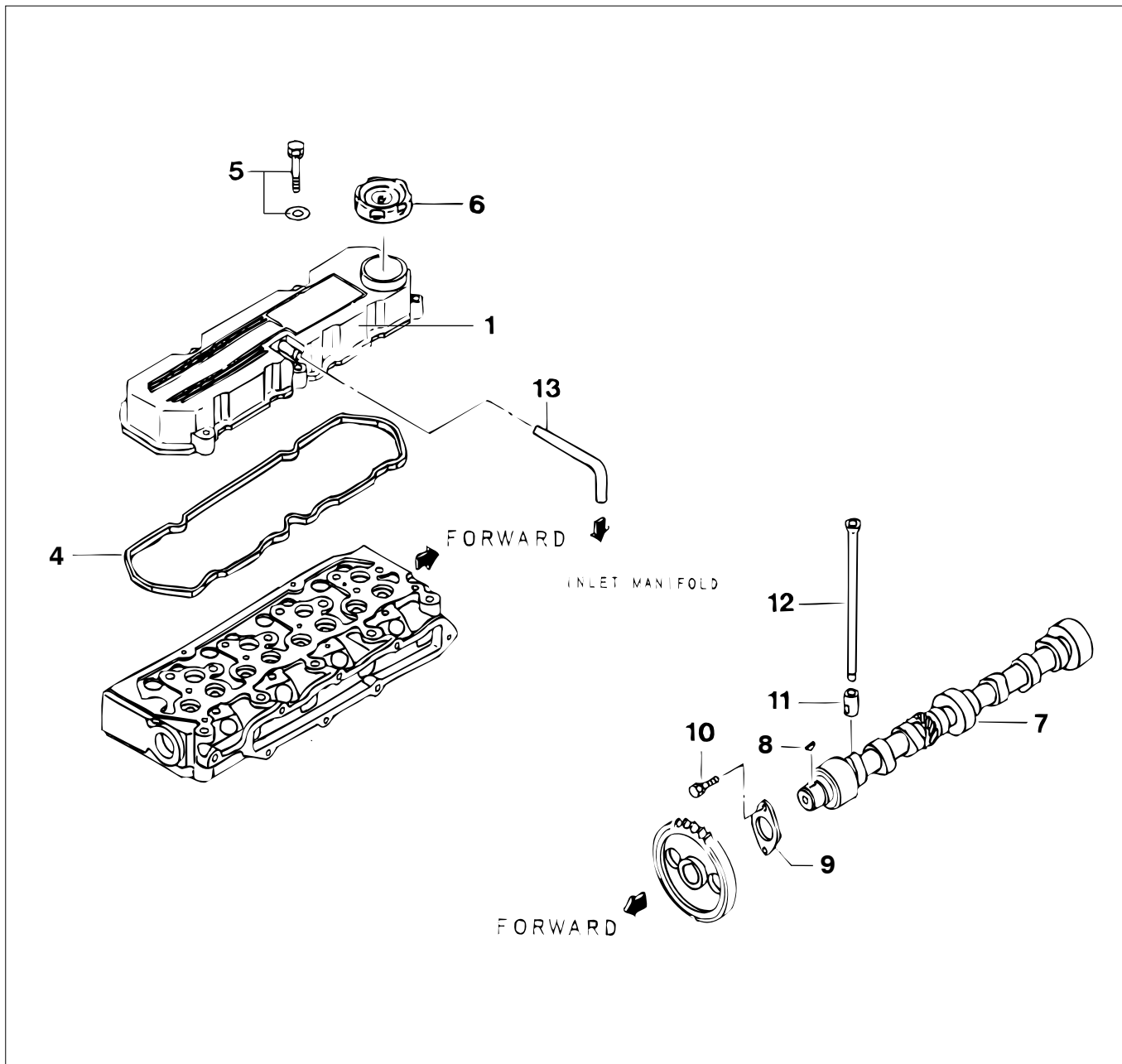


M4.15 M4.17

Cilinderkop

Cilinder head

pos.	qty	part	benaming	description
1	1	STM7412	Cilinderkop cpl. M4.15	Cilinder head cpl. M4.15
	1	STM7700	Cilinderkop cpl. M4.17 serienr.111591 <-	Cilinder head cpl. M4.17 serial nr. 111591 <-
	1	STM9901	Cilinderkop cpl. M4.17 serienr.113342->	Cilinder head cpl. M4.17 serial nr. 113342->
3	1	STM7702	Kap	Cap
4	7	STM7414	Kap M4.17	Cap M4.17
	7	STM1108	Kap M4.15	Cap M4.15
5	4	STM7959	Inlaatklep zitting	Inlet seal valve
6	4	STM7960	Uitlaatklep zitting	Exhaust seal valve
7	4	STM7704	Klep geleider uitlaat	Guide exhaust valve
8	4	STM7705	Klep geleider inlaat	Guide inlet valve
9	1	STM7961	Cilinderkop	Cilinder head
10	4	STM7415	Bus M4.15	Bush M4.15
	4	STM7706	Bus M4.17 serienr.111591 <-	Bush M4.17 serial nr. 111591 <-
	4	STM9986	Bus M4.17 serienr.113342->	Bush M4.17 serial nr. 113342->
11	1	STM7707	Plug	Plug
12	14	STM7708	Bout	Bolt
13	1	STM7709	Pakking	Gasket
14	1	STM7710	Hijsoog	Lifting eye
15	1	STM7711	Bout	Bolt

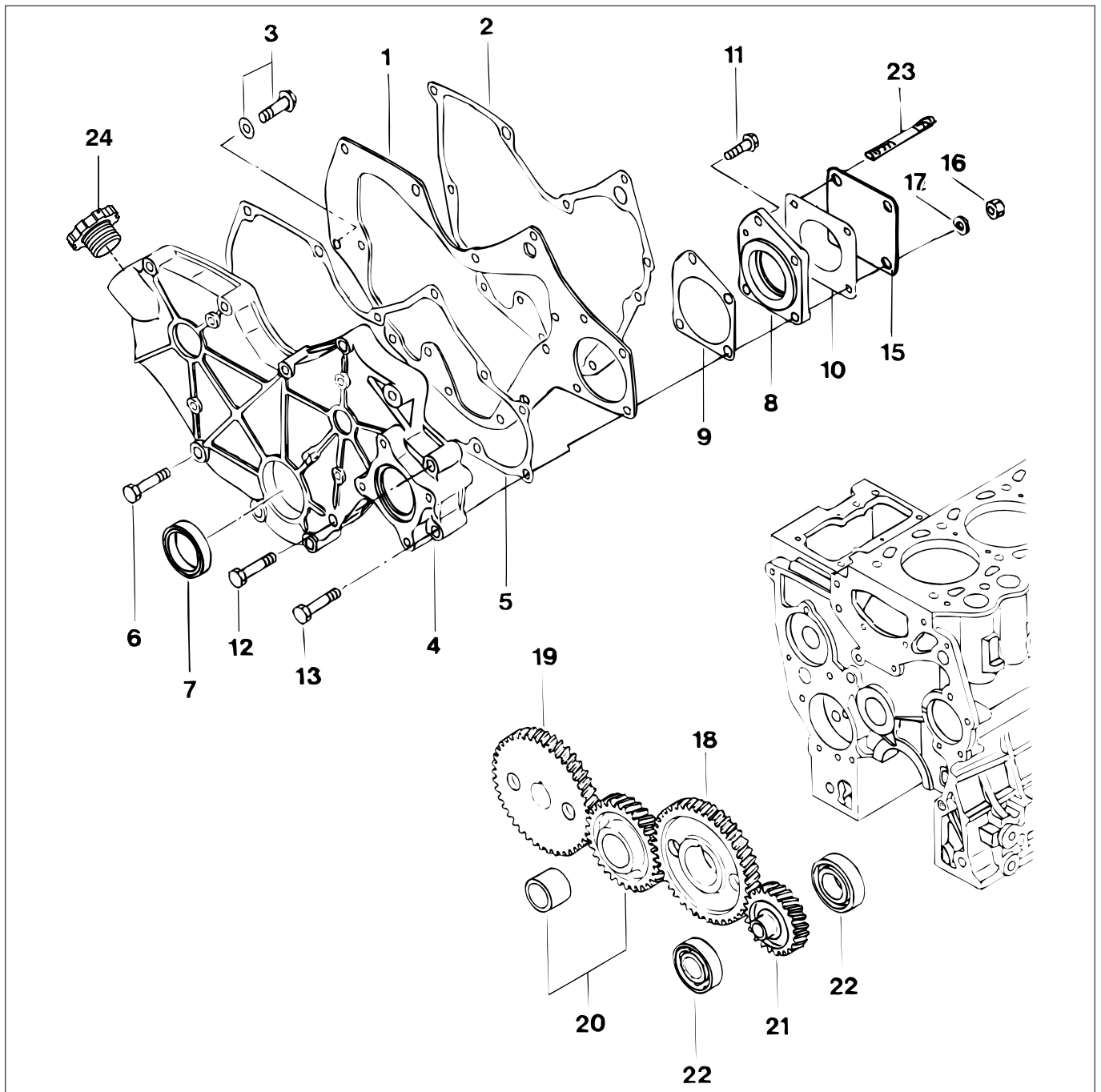


M4.15 M4.17

Kleppendeksel + nokkenas

Rocker cover + camshaft

pos.	qty	part	benaming	description
1	1	STM7732	Kleppendeksel	Rocker cover
4	1	STM7734	Pakking	Gasket
5	5	STM7736	Bout + Ring	Bolt + Washer
6	1	STM2532	Dop	Cap
7	1	STM7737	Nokkenas	Cam shaft
8	1	STM2579	Spie	Key
9	1	STM7738	Plaat	Plate
10	2	STM7739	Bout	Bolt
11	8	STM2591	Klepstoter	Tappet
12	4	STM7740	Stoterstang	Rod
13	1	STM7741	Slang	Hose

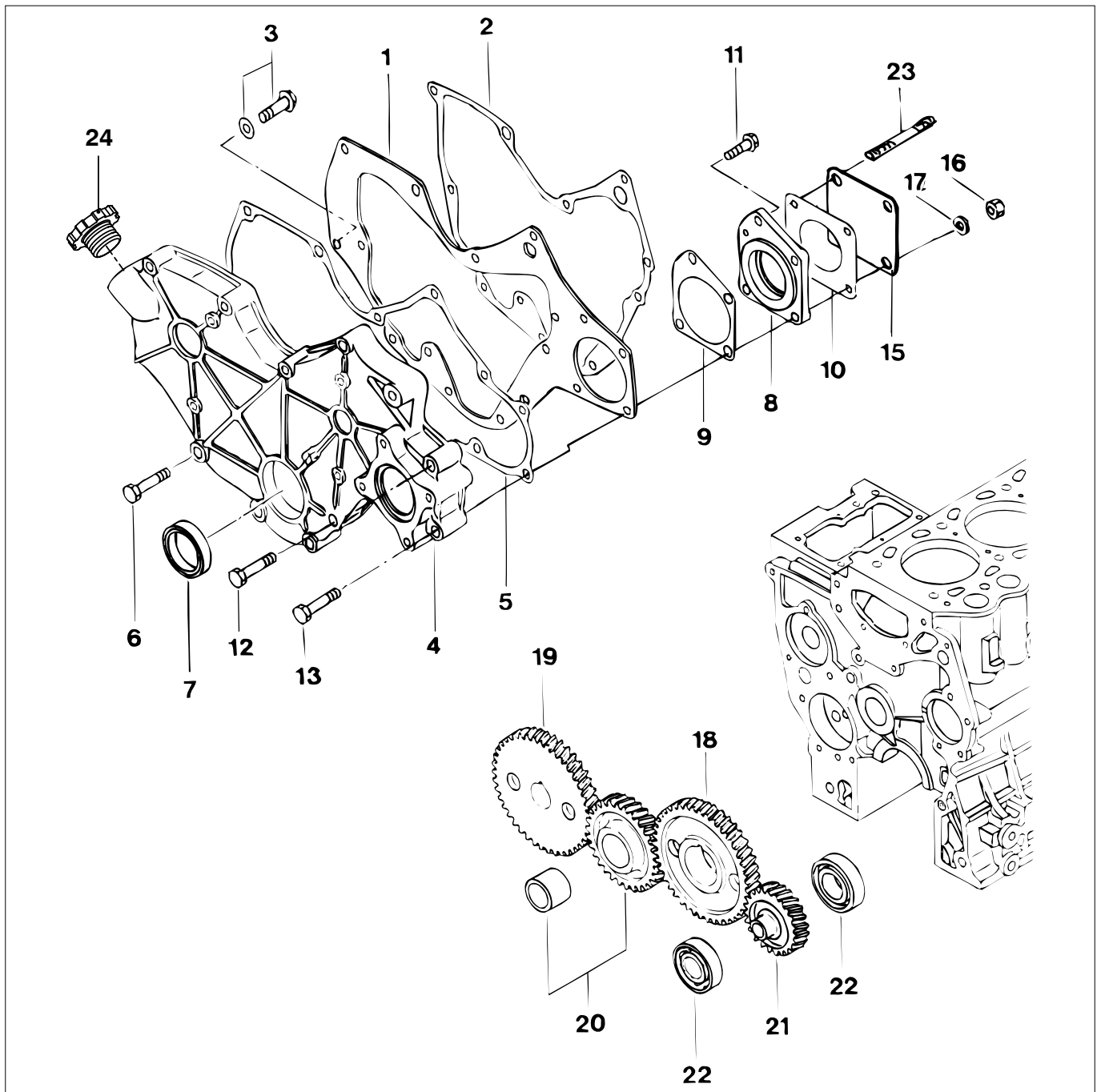


M4.15 M4.17

PTO

PTO

pos.	qty	part	benaming	description
1	1	STM7770	Plaat	Plate
2	1	STM7771	Pakking	Gasket
3	5	STM7772	Bout + Ring	Bolt + Washer
4	1	STM7773	Deksel	Cover
5	2	STM7774	Pakking	Gasket
6	8	STM2528	Bout	Bolt
7	1	STM2527	Keerring	Seal
8	1	STM7776	Huis	Case
9	1	STM7777	Pakking	Gasket
10	2	STM2526	Pakking	Gasket
11	1	STM7778	Bout	Bolt
12	1	STM7779	Bout	Bolt
13	1	STM7779	Bout	Bolt
14	2	STM7781	Bout	Bolt

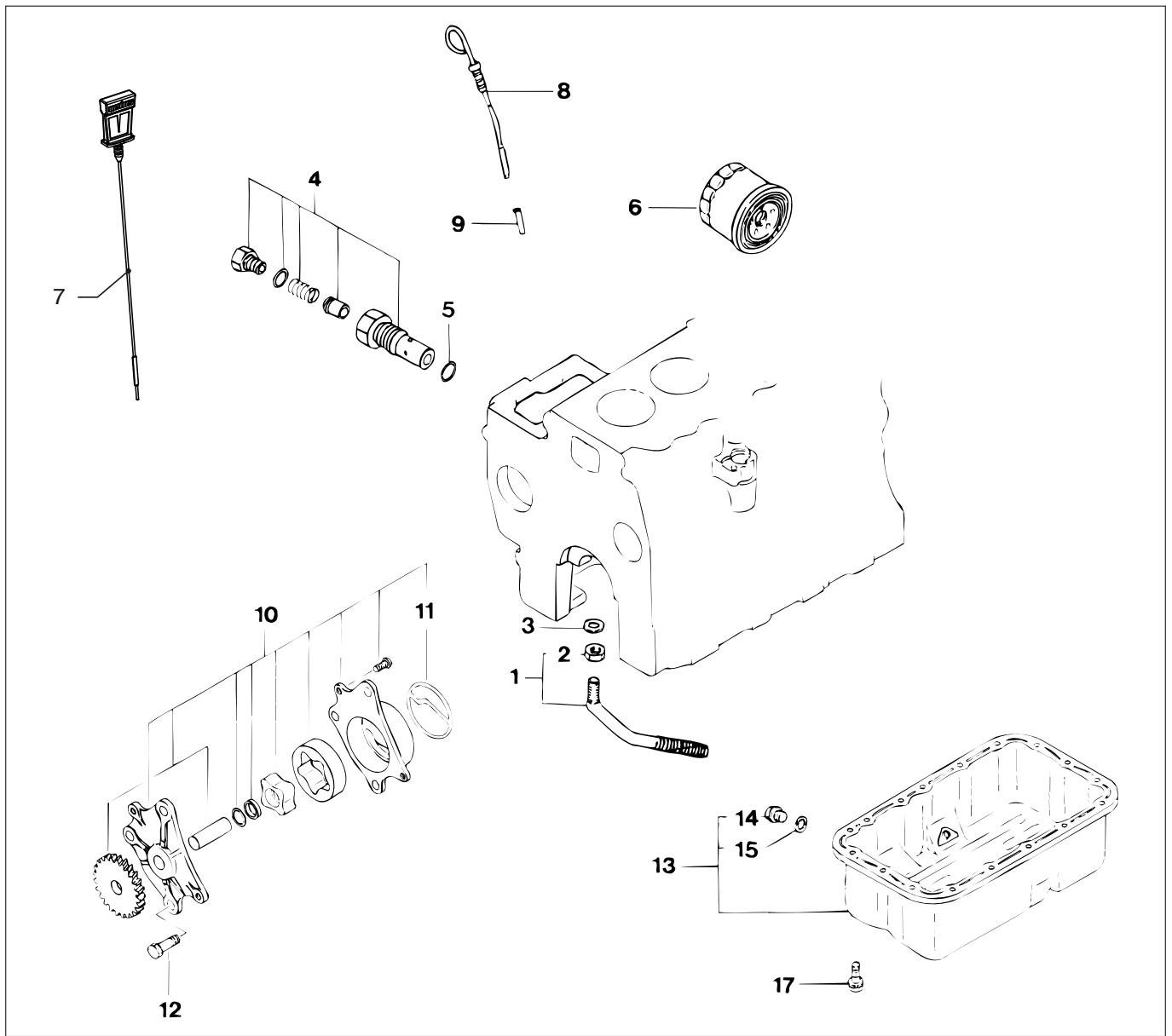


M4.15 M4.17

PTO

PTO

pos.	qty	part	benaming	description
15	1	STM2525	Deksel	Cover
16	4	STM7940	Moer	Nut
17	4	STM7941	Ring	Washer
18	1	STM7814	Tandwiel	Gear wheel
19	1	STM7815	Tandwiel	Gear wheel
	1	STM9998	Tandwiel M4.17 serienr. 113342 ->	Gear wheel M4.17 serial nr. 113342 ->
20	1	STM7816	Tandwiel cpl.	Gear wheel cpl.
21	1	STM7817	Tandwiel	Gear wheel
22	2	STM7818	Lager	Bearing
23	2	STM7780	Tapeind	Stud
24	1	STM3912	Oliedop	Oil cap

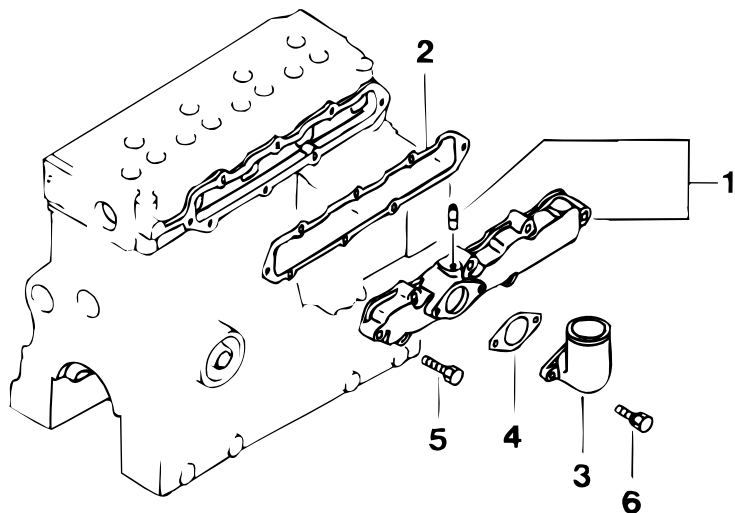


M4.15 M4.17

Carterpan + oliepomp

Oil pan + oil pump

pos.	qty	part	benaming	description
1	1	STM7829	Pijp cpl.	Pipe cpl.
2	1	STM7831	Moer	Nut
3	1	STM2672	Pakking	Gasket
4	1	STM7962	Klep cpl.	Valve cpl.
5	1	STM7832	Afdichtring	Seal washer
6	1	STM0051	Oliefilter	Oil filter
7	1	STM7442	Verlengde oliepeilstok	Extended dipstick
8	1	STM7835	Peilstok	Dipstick
9	1	STM7836	Pijp	Pipe
10	1	STM7826	Oliepomp cpl.	Oil pump cpl.
11	1	STM7827	Pakking	Gasket
12	3	STM7828	Bout	Bolt
13	1	STM7782	Carterpan cpl.	Oil pan cpl.
14	1	STM7783	Plug	Plug
15	1	STM7784	Afdichtring	Seal washer
17	17	STM7786	Bout	Bolt

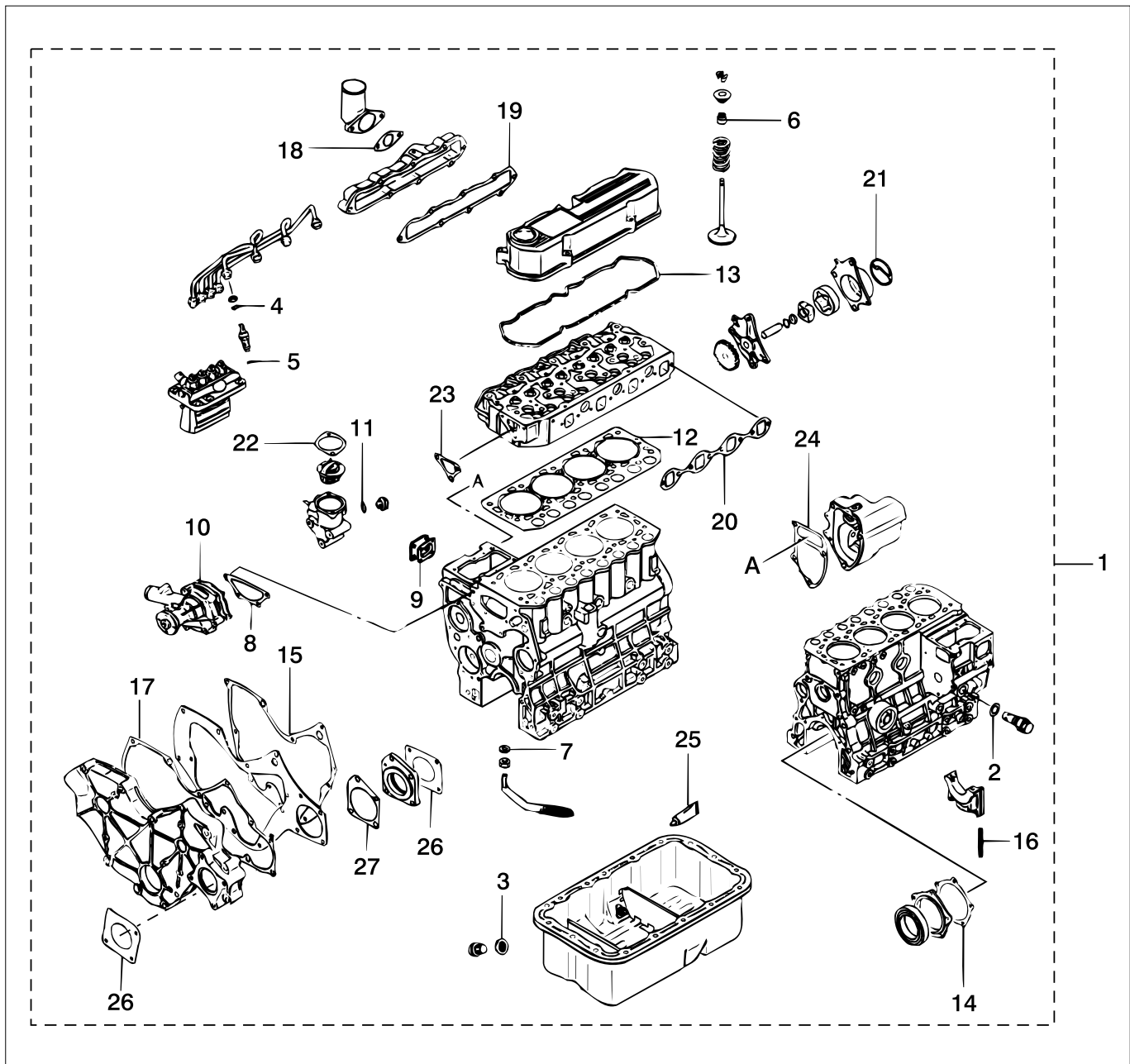


M4.15 M4.17

Luchtinlaat

Airintake

pos.	qty	part	benaming	description
1	1	STM7819	Deksel cpl.	Cover cpl.
2	1	STM7820	Pakking	Gasket
3	1	STM7821	Pijp	Pipe
4	1	STM7822	Pakking	Gasket
5	8	STM7823	Bout	Bolt
6	2	STM7824	Bout	Bolt

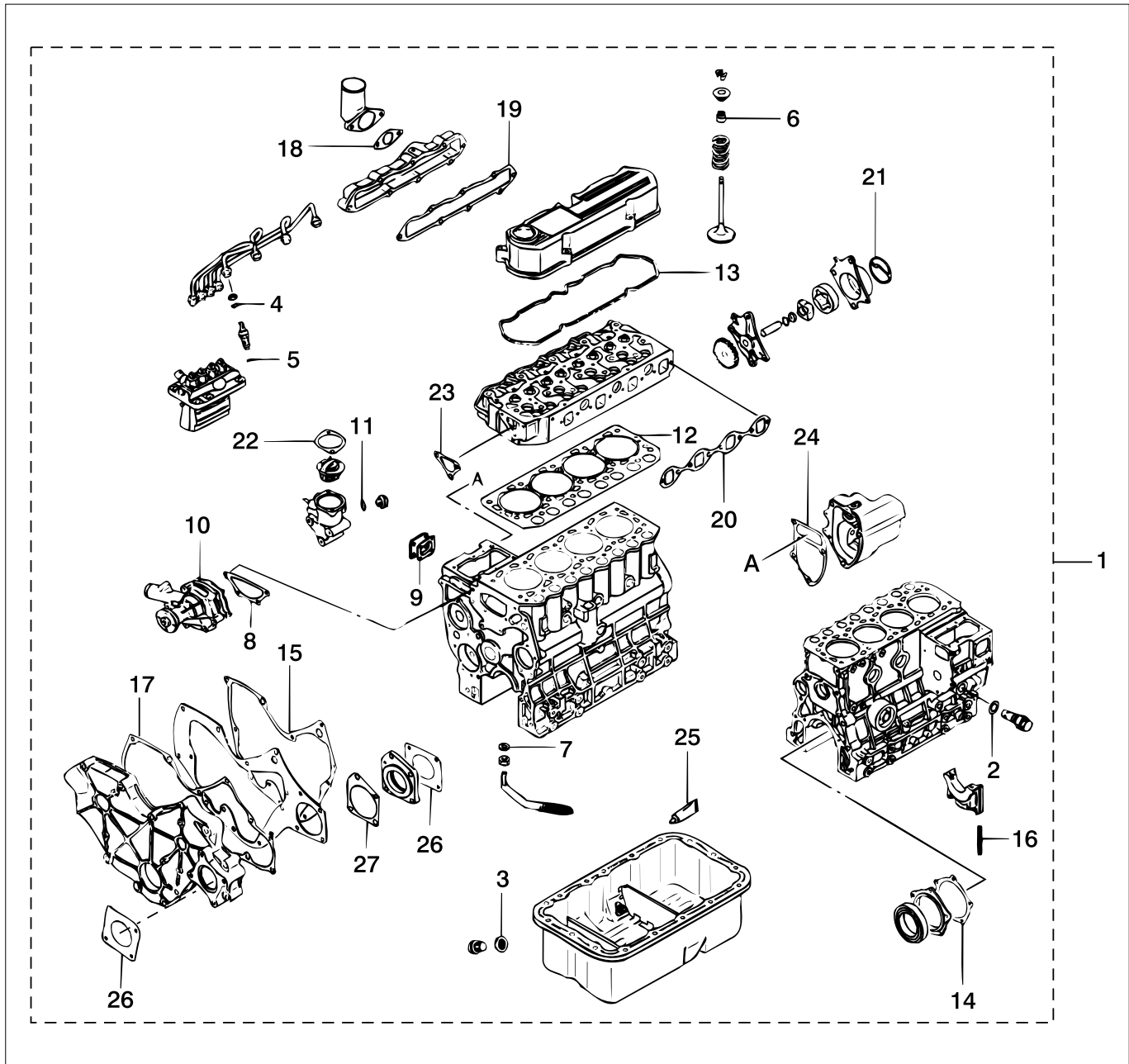


M4.15 M4.17

Revisie pakkingset

Overhaul gasket kit

pos.	qty	part	benaming	description
1	1	STM7965	Pakkingset M4.15 / M4.17	Gasket kit M4.15 / M4.17
2	1	STM7963	Pakking	Gasket
3	1	STM7784	Pakking	Gasket
4	4	STM7862	Pakking	Gasket
5	4	STM7861	Pakking	Gasket
6	8	STM2589	Afdichting	Seal
7	1	STM2672	Pakking	Gasket
8	1	STM7846	Pakking	Gasket
9	1	STM7927	Pakking	Gasket
10	1	STM2682	Pakking	Gasket
11	3	STM7953	Pakking	Gasket
12	1	STM7709	Pakking	Gasket
13	1	STM7734	Pakking	Gasket
14	1	STM7761	Pakking	Gasket
15	1	STM7771	Pakking	Gasket
16	4	STM7755	Afdichting	Seal

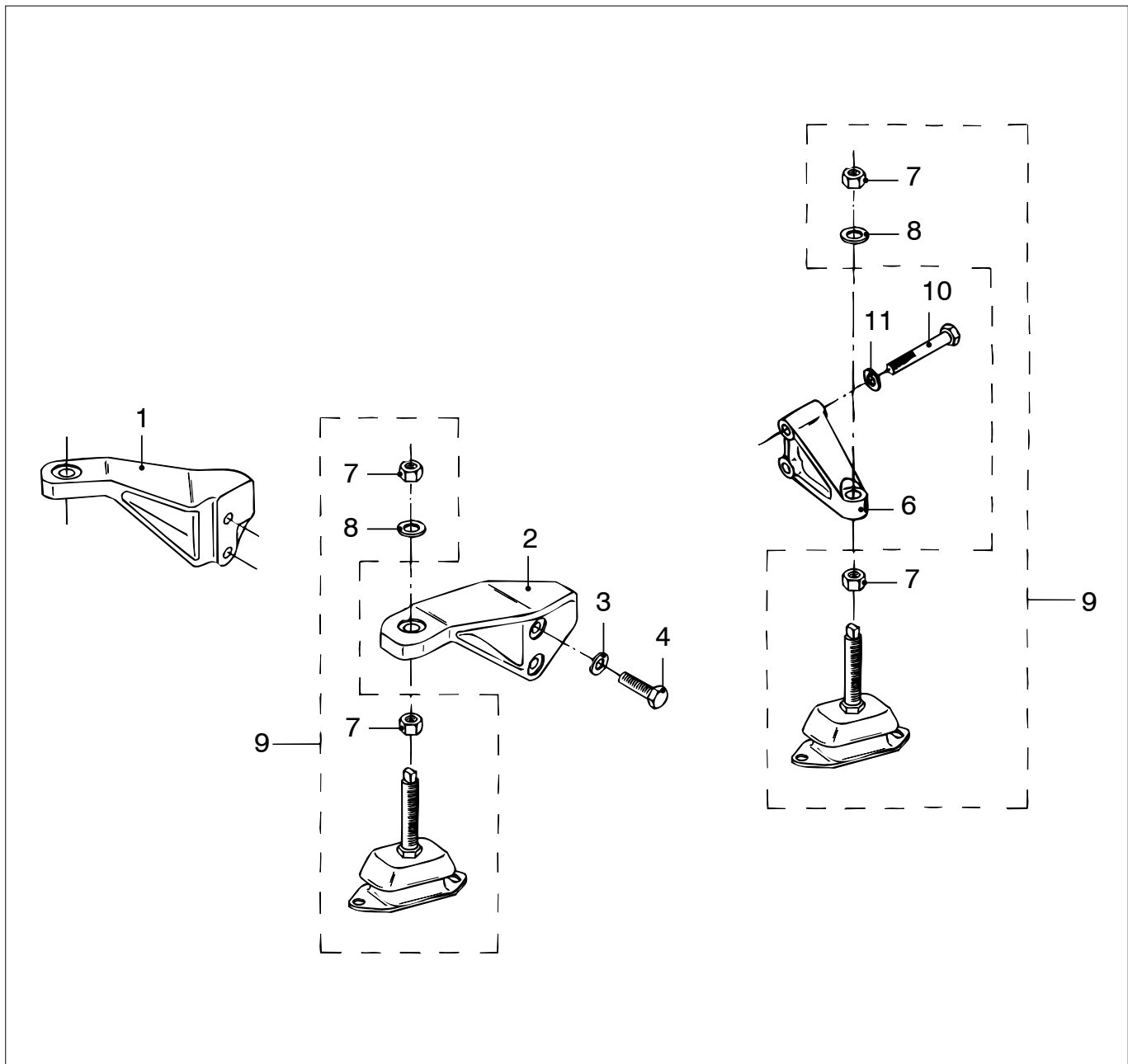


M4.15 M4.17

Revisie pakkingset

Overhaul gasket kit

pos.	qty	part	benaming	description
17	1	STM7774	Pakking	Gasket
18	1	STM7822	Pakking	Gasket
19	1	STM7820	Pakking	Gasket
20	1	STM7825	Pakking	Gasket
21	1	STM7821	Pakking	Gasket
22	1	STM7855	Pakking	Gasket
23	1	STM7856	Pakking	Gasket
24	1	STM7918	Pakking	Gasket
25	1	STM7964	Pakking vloeibaar	Gasket liquid
26	2	STM2526	Pakking	Gasket
27	1	STM7777	Pakking	Gasket

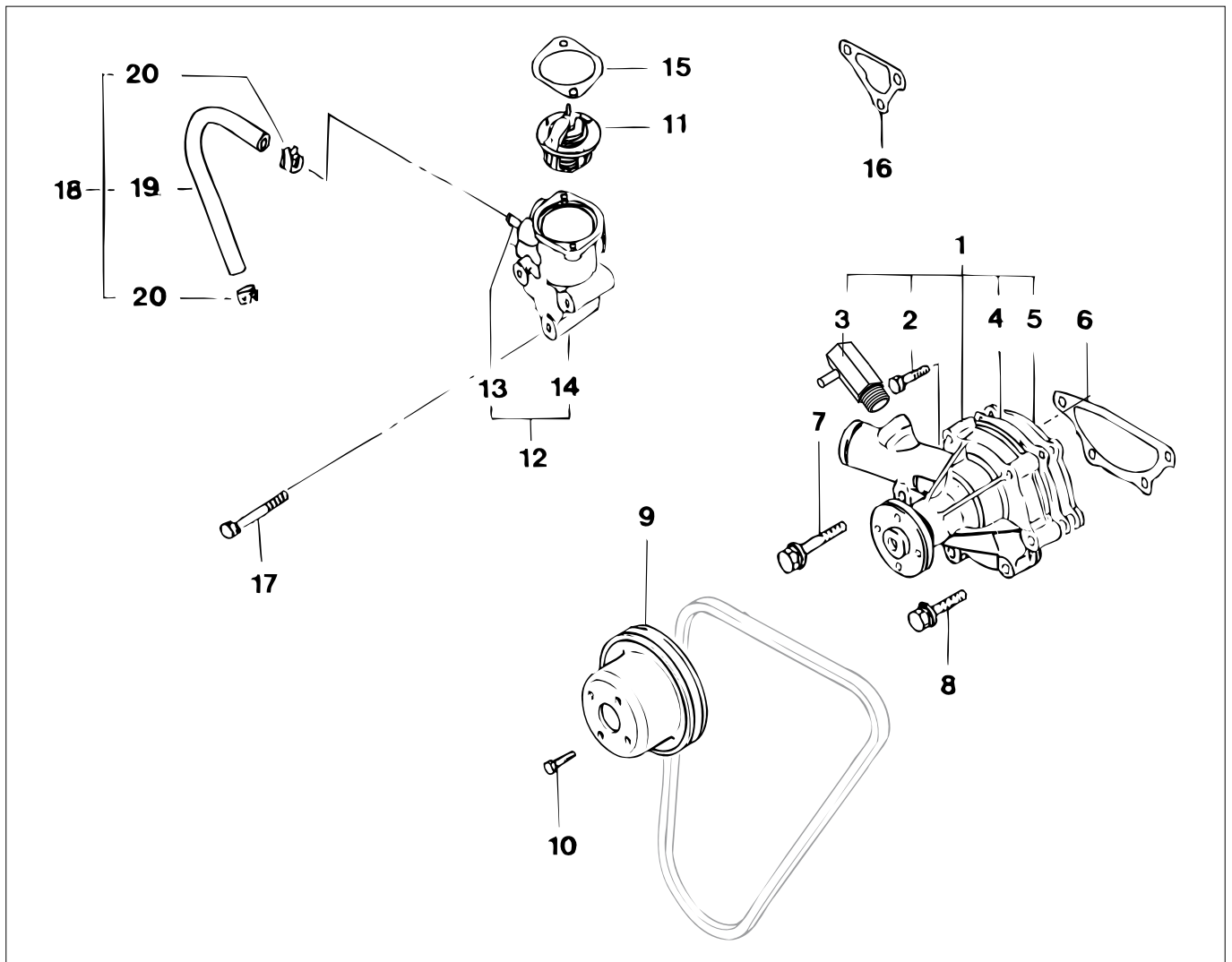


M4.15 M4.17

Motorsteunen

Engine supports

pos.	qty	part	benaming	description
1	1	STM7570	Motorsteun SB	Engine support SB
2	1	STM7571	Motorsteun BB	Engine support PS
3	8	STM4056	Gegolfde veerring M12	Wave spring washer M12
4	4	STM4060	Bout M12x1,25x35	Bolt M12x1.25x35
5	2	STM4010	Moer M16x1,5	Nut M16x1.5
6	2	STM7584	Motorsteun SB-BB	Engine support SB-PS
7	4	STM7595	Bout M12x1,75x65	Bolt M12x1.75x65
8	1	STM4011	Ring M16	Washer M16
9	4	KSTEUN75	Trillingdemper	Engine mount
10	4	STM7595	Bout M12x1,75x65	Bolt M12x1.75x65
11	4	STM4056	Gegolfde veerring M12	Waved spring washer M12

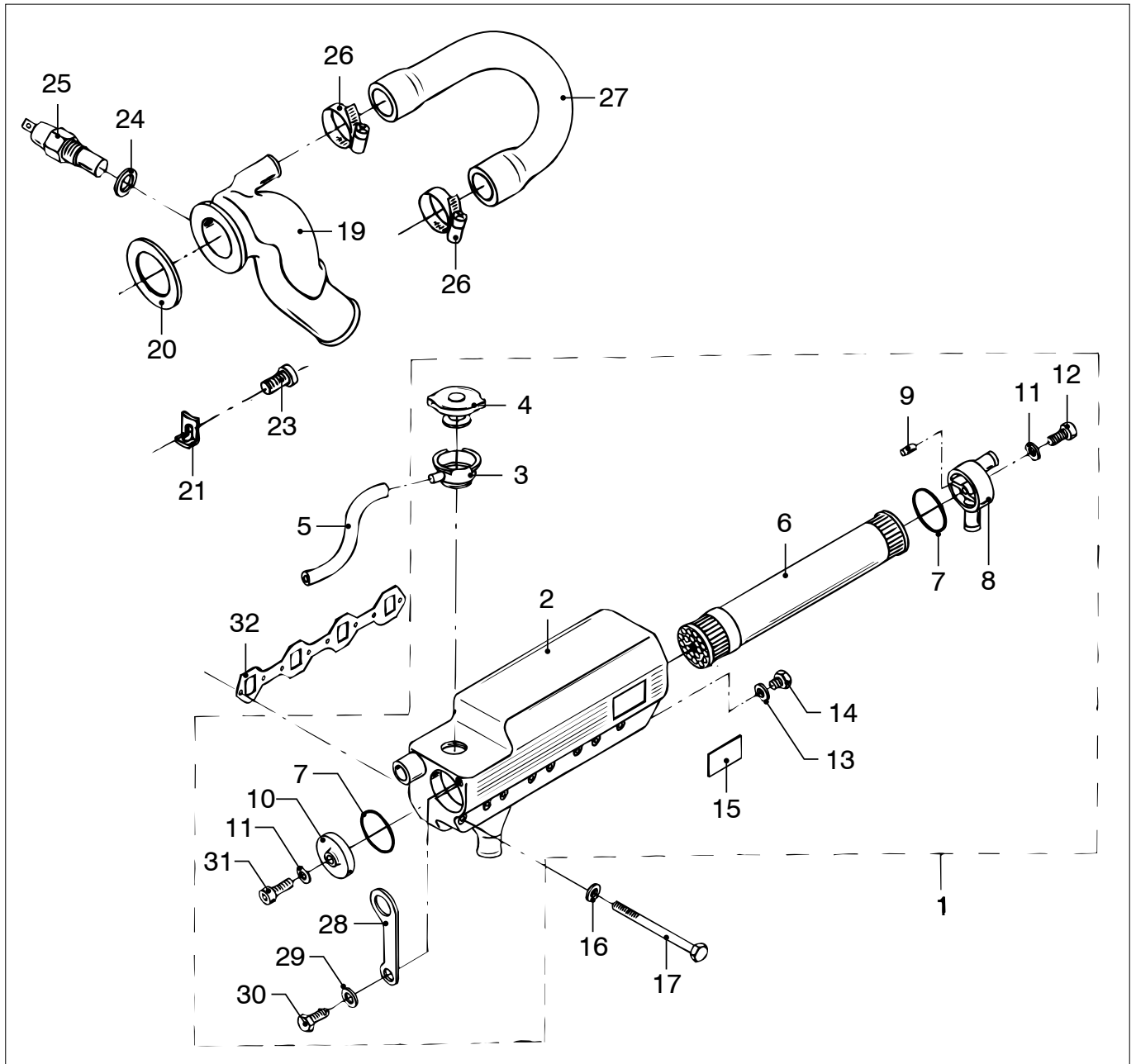


M4.15 M4.17

Circulatiepomp

Circulation pump

pos.	qty	part	benaming	description
1	1	STM7843	Circulatiepomp cpl.	Circulation pump cpl.
2	2	STM7844	Bout	Bolt
3	1	STM7845	Nippel	Nipple
	1	STM9441	Slangpilaar (tbv extra dynamo 06-2009 ->)	Hose pillar (for extra alternator 06-2009 ->)
4	1	STM2682	Pakking	Gasket
5	1	STM2683	Plaat	Plate
6	1	STM7846	Pakking	Gasket
7	3	STM7847	Bout	Bolt
8	1	STM7848	Bout	Bolt
9	1	STM7849	Pulley	Pulley
10	4	STM7850	Bout	Bolt
11	1	STM7654	Thermostaat 76,5°C	Thermostat 76,5°C
12	1	STM7852	Thermostaathuis cpl.	Thermostat housing cpl.
13	1	STM7853	Pijp	Pipe
14	1	STM7854	Thermstaathuis	Thermostat housing
15	1	STM7855	Pakking	Gasket
16	1	STM7856	Pakking	Gasket
17	3	STM7857	Bout	Bolt
18	1	STM7858	Slang	Hose
19	1	STM7859	Slang	Hose
	1	STM9440	Slang voor korte nippel 06-2009 ->	Hose for short nipple 06-2009 ->
20	2	STM7860	Klem	Clamp

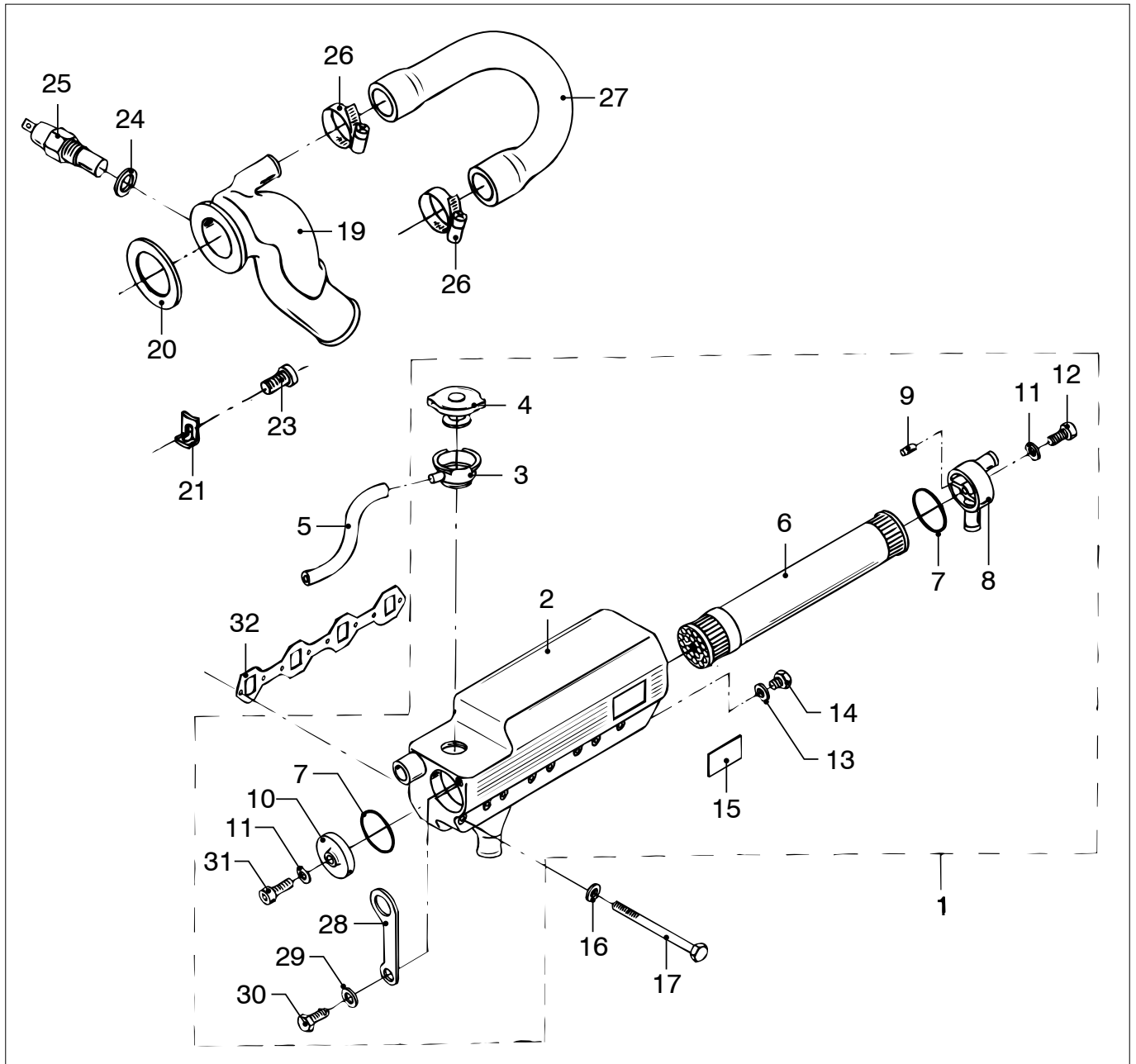


M4.15 M4.17

Warmtewisselaar unit

Heatexchanger unit

pos.	qty	part	benaming	description
1	1	STM7552	Warmtewisselaar compleet	Heatexchanger cpl.
2	1	STM7551	Warmtewisselaarhuis	Heatexchanger housing
3	1	STM6108	Vulnek	Filler neck
4	1	STM1017	Vuldop 0,5bar	Filler cap 0.5bar
5	1	STM1027	Slang vulnek l=0,4mtr.	Hose fillerneck l=0.4mtr.
6	1	STM7555	Pijpenbundel	Tube stack
7	2	STM6113	O-ring 61x2,5 FPM (groen)	O-ring 61x2.5 FPM (green)
8	1	STM6503	Aansluitdeksel	Cover
9	1	STM6130	Spanbus	Spring type straith pin slotted
10	1	STM7446	Deksel	Cover
11	2	STM1007	Afdichtring	Seal washer
12	1	STM1006	Inbusbout M8x30	Allen screw M8x30
13	1	STM1062	Afdichtring	Seal washer
14	1	STM1059	Plug M14x1,5	Plug M14x1.5
15	1	STM6531	Logo plaatje	Model plate
16	8	STM1019	Gegolfde veerring M8	Wave spring washer M8

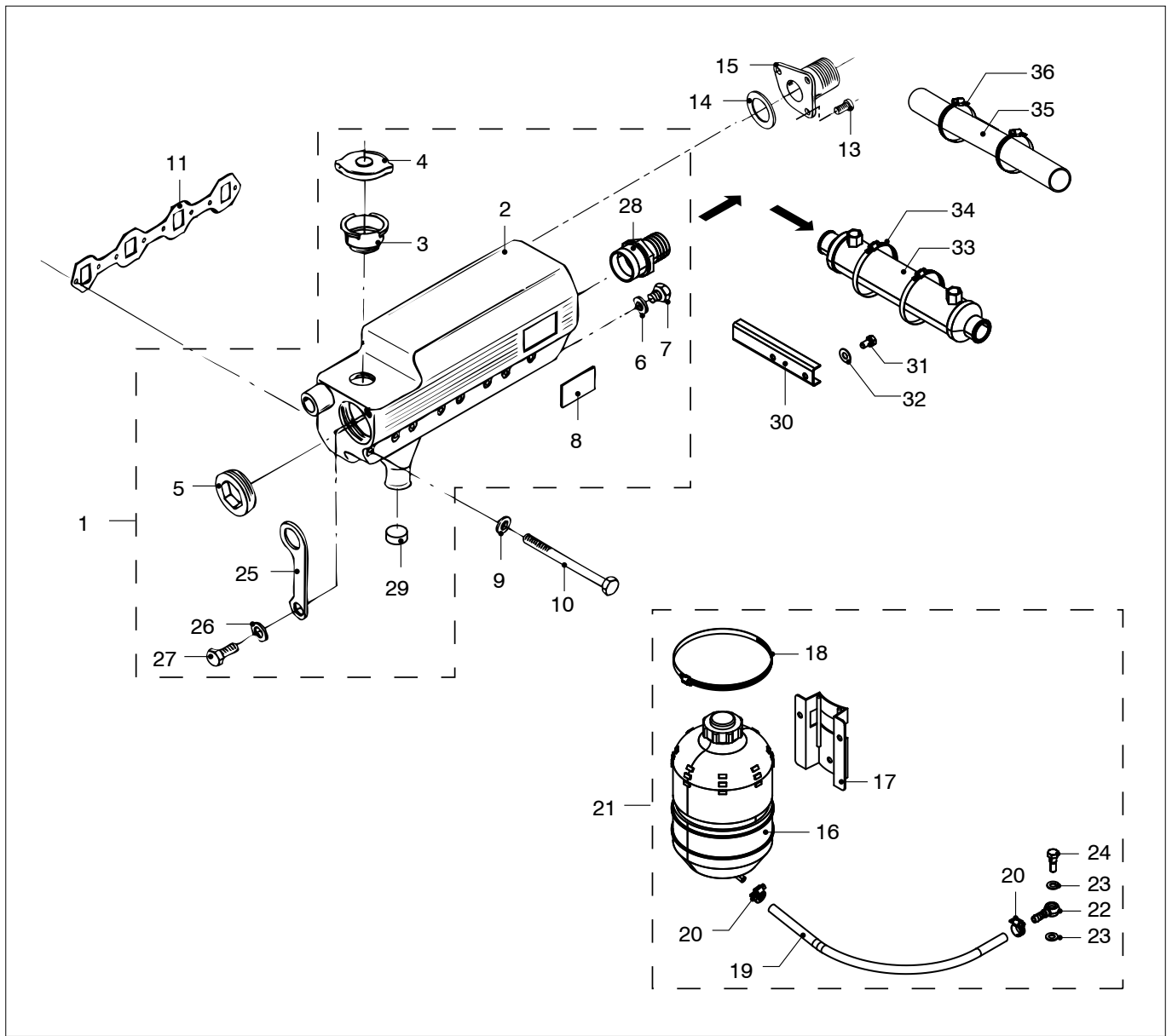


M4.15 M4.17

Warmtewisselaar unit

Heatexchanger unit

pos.	qty	part	benaming	description
17	8	STM6121	Bout M8x1,25x110	Bolt M8x1.25x110
18	1	STM7825	Uitlaatpakking	Exhaust gasket
19	1	STM7557	Uitlaatinjectiebocht ø50	Exhaust inj.elbow ø50
20	1	STM7558	Pakking	Gasket
21	3	STM6126	Kikkerplaatje	Clamp plate
23	3	STM6299	Inbusbout M8x20	Allen screw 8x20
24	1	STM2019	Afdichtring	Seal washer
25	1	STM2006	Temperatuurschakelaar 75°C M18x1,5	Thermoswitch 75°C M18x1,5
26	2	STM2012	Slangklem 19-29	Hose clamp 19-29
27	1	STM7585	Slang ww <-> injectiebocht	Hose heatexchanger <-> inj.elbow
28	1	STM7710	Hijsoog	Lifting eye
29	1	STM4014	Veerring M10	Spring washer
30	1	STM3705	Bout M10x1,25x25	Bolt M10x1.25x25
31	1	STM7648	Imbusbout M8 x 20 lage kop	Allen screw M8 x 20 low head
32	1	STM7825	Pakking	Gasket

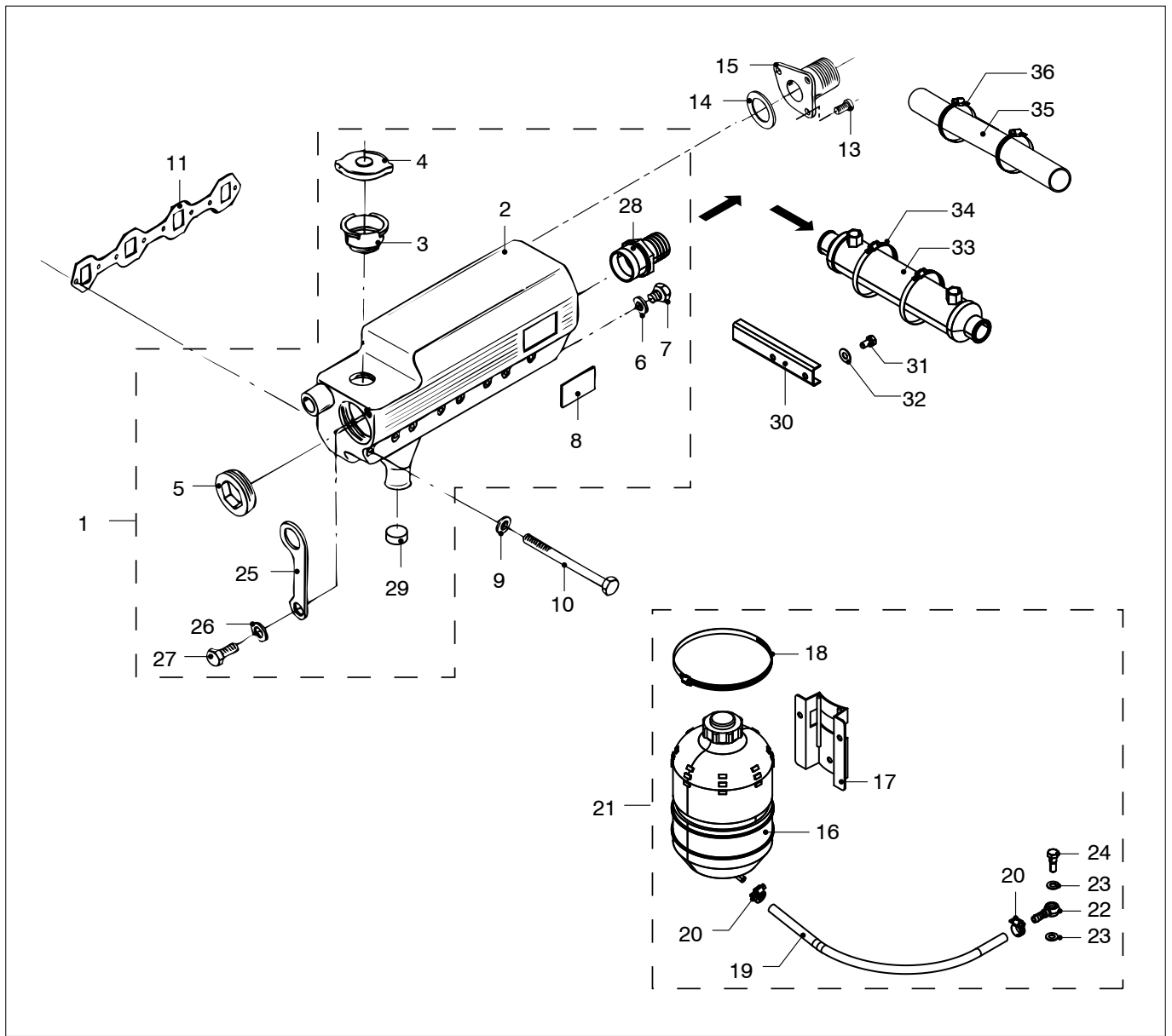


M4.15 M4.17

Kielkoelspruitstuk

Keelcooler manifold

pos.	qty	part	benaming	description
1	1	STM7554	Kielkoelspruitstuk cpl.	Keelcooler manifold cpl.
2	1	STM7553	Kielkoelspruitstuk	Keelcooler manifold
3	1	STM3750	Vulnek	Filler neck
4	1	STM9507	Vuldop 'do not open'	Filler cap 'do not open'
5	1	STM4043	Plug G1 1/2	Plug G1 1/2
6	1	STM1062	Afdichtring	Seal washer
7	1	STM1059	Plug M14x1,5	Plug M14x1.5
8	1	STM6531	Logo plaatje	Model plate
9	8	STM1019	Gegolfde veerring M8	Wave spring washer M8
10	8	STM6121	Bout M8x1,25x110	Bolt M8x1.25x110
11	1	STM7825	Uitlaatpakking	Exhaust gasket
13	3	STM6299	Inbusbout M8x20	Allen screw M8x20
14	1	STM7558	Pakking	Gasket
15	1	STM7583	Uitlaatflens G1 1/2	Exhaust flange G1 1/2
16	1	STM9501	Expansietank	Headertank
17	1	STM9502	Bevestigingsbeugel	Support
18	1	STM9503	Slangklem 120-140	Hoseclamp 120-140

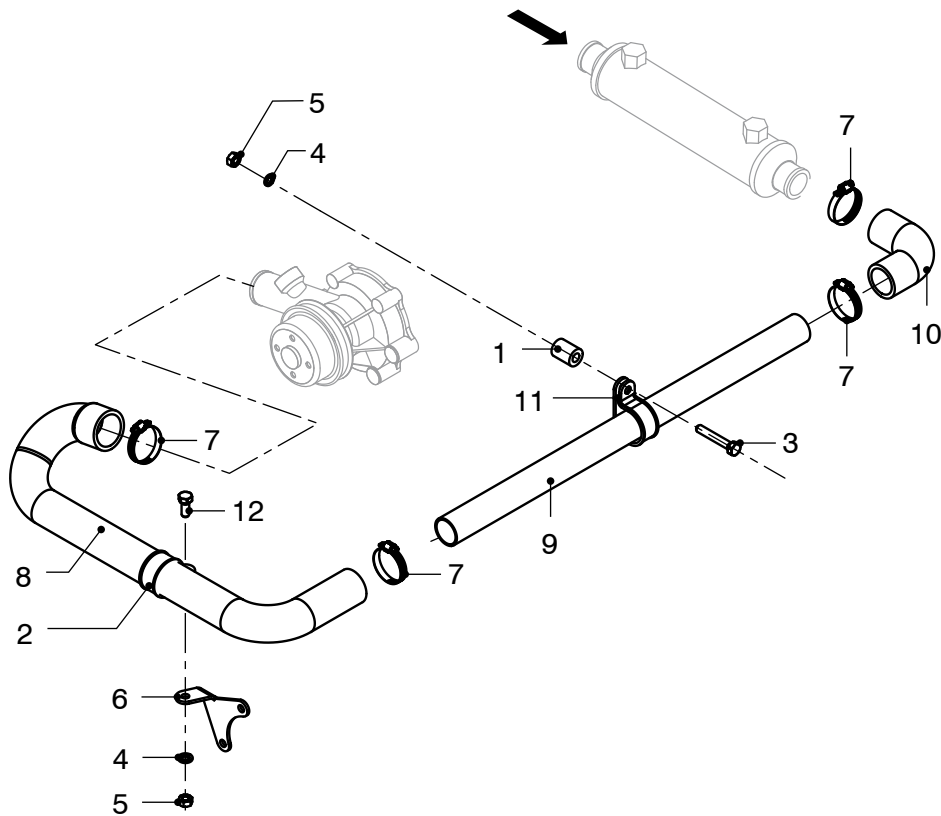


M4.15 M4.17

Kielkoelspruitstuk

Keelcooler manifold

pos.	qty	part	benaming	description
19	1	STM9504	Slang l=1,5mtr.	Hose l=1.5mtr.
20	2	STM9505	Slangklem mini 14	Hoseclamp mini 14
21	1	STM9500	Expansietank compleet	Headertank cpl.
22	1	STM6198	Banjo-oog	Banjo eye
23	2	STM2018	Afdichting	Seal washer
24	1	STM7586	Banjo bout M8x1,25	Banjo bolt M8x1.25
25	1	STM7710	Hijsoog	Lifting eye
26	1	STM4014	Veerring M10	Spring washer M10
27	1	STM3705	Bout M10x1,25x25	Bolt M10x1.25x25
28	1	STM7673	Slangpilaar G 1 1/2 - ø32	Hose pillar G 1 1/2 - ø32
29	1	STM7679	Plug M30x1,5	Plug M30x1.5
30	1	STM7568	Bevestigingssteun	Support
31	2	STM3355	Bout M8x1,25x20	Bolt M8x1.25x20
32	2	STM1056	Veerring M8	Spring washer M8
33	1	STM3771	Oliekoeler 9"×ø55-G3/4-ø33 (Hydr. keerkopp.)	Oilcooler 9"×ø55-G3/4-ø33 (Hydr. gearbox)
34	2	STM8150	Slangklem 77-95	Hose clamp 77-95
35	1	08-01005	Pijp (Mechanische keerkoppeling)	Pipe (Mechanical gearbox)
36	2	STM3012	Slangklem 40-60	Hose clamp 40-60



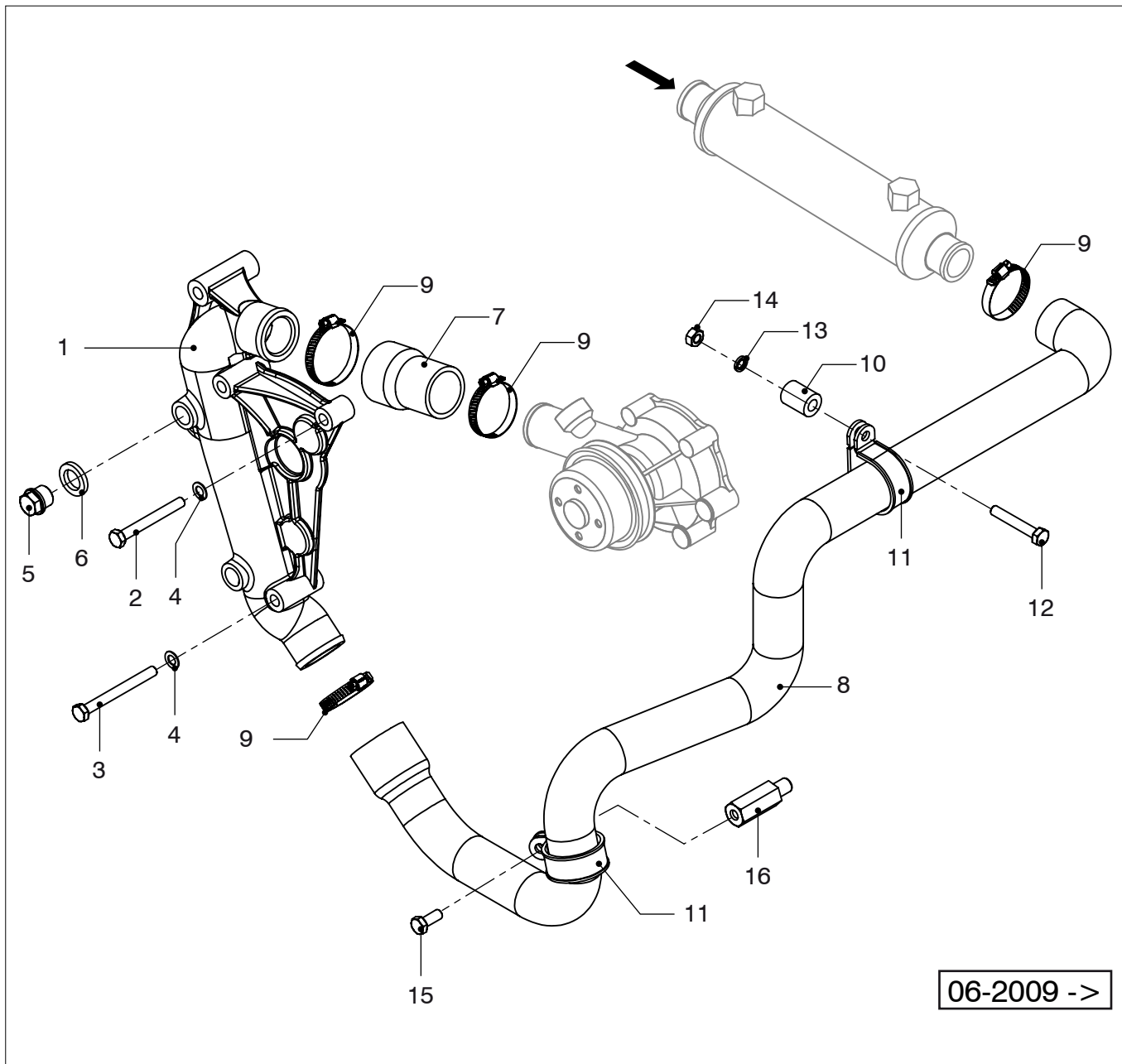
06-2009 <-

M4.15 M4.17

**Aansluiting circulatiepomp, kielkoeling
06-2009 <-**

**Connection of circulation pump, keelcooling
06-2009 <-**

pos.	qty	part	benaming	description
1	1	STM7674	Bus	Bushing
2	1	STM3061	Klem RSGU1.35/20W1	Clamp RSGU1.35/20W1
3	1	STM6561	Bout M8x50	Bolt M8x50
4	2	STM1056	Veerring M8	Spring washer M8
5	2	STM2005	Moer M8	Nut M8
6	1	STM7565	Bev. steun	Support
7	4	STM3005	Slangklem 32-44	Hoseclamp 32-44
8	1	STM7675	Slang	Hose
9	1	STM7676	Pijp $\varnothing 28\text{-}\varnothing 32$ l=0,52 mtr.	Tube $\varnothing 28\text{-}\varnothing 32$ l=0.52 mtr.
10	1	STM7677	Slang	Hose
11	1	STM7564	Klem RSGU1.30/20W1	Clamp RSGU1.30/20W1
12	1	STM3355	Bout M8x20	Bolt M8x20

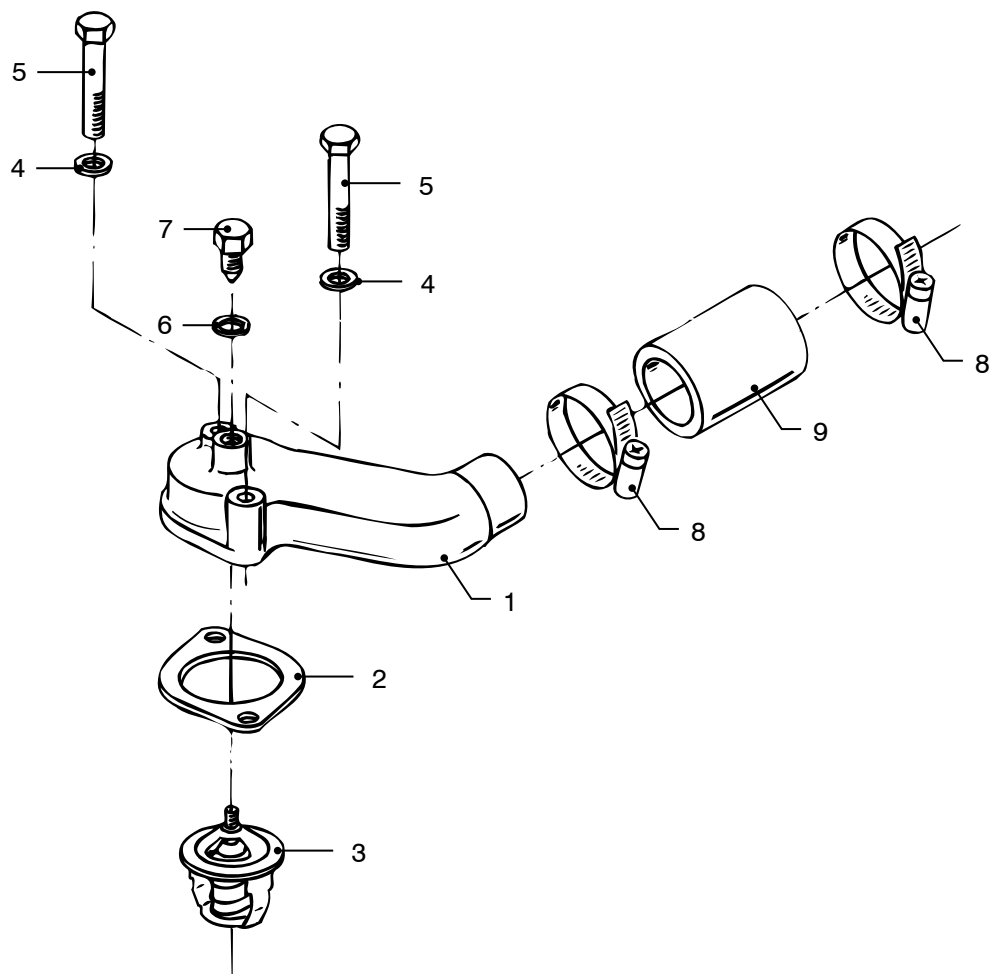


M4.15 M4.17

Aansluiting circulatiepomp, kielkoeling ->06-2009

Connection of circulation pump, keelcooling ->06-2009

pos.	qty	part	benaming	description
1	1	STM9851	Dynamosteun/koelwaterpijp	Alternator bracket/coolant pipe
2	1	STM9682	Bout M8x75	Bolt M8x75
3	2	STM8126	Bout M8x90	Bolt M8x90
4	3	STM1019	Gegolfde veerring M8	Wave spring washer M8
5	3	STM7285	Plug G3/8	Plug G3/8
6	3	STM6617	Afdichtring M16	Seal washer M16
7	1	STM9852	Slang	Hose
8	1	STM9895	Slang	Hose
9	4	STM3005	Slangklem 32-44	Hose clamp 32-44
10	1	STM7674	Bus	Spacer
11	2	STM9859	Klem	Clamp
12	1	STM3355	Bout	Bolt
13	1	STM1056	Veerring	Spring washer
14	1	STM2005	Moer	Nut
15	1	STM3355	Bout	Bolt
16	1	STM9860	Adapter	Adapter

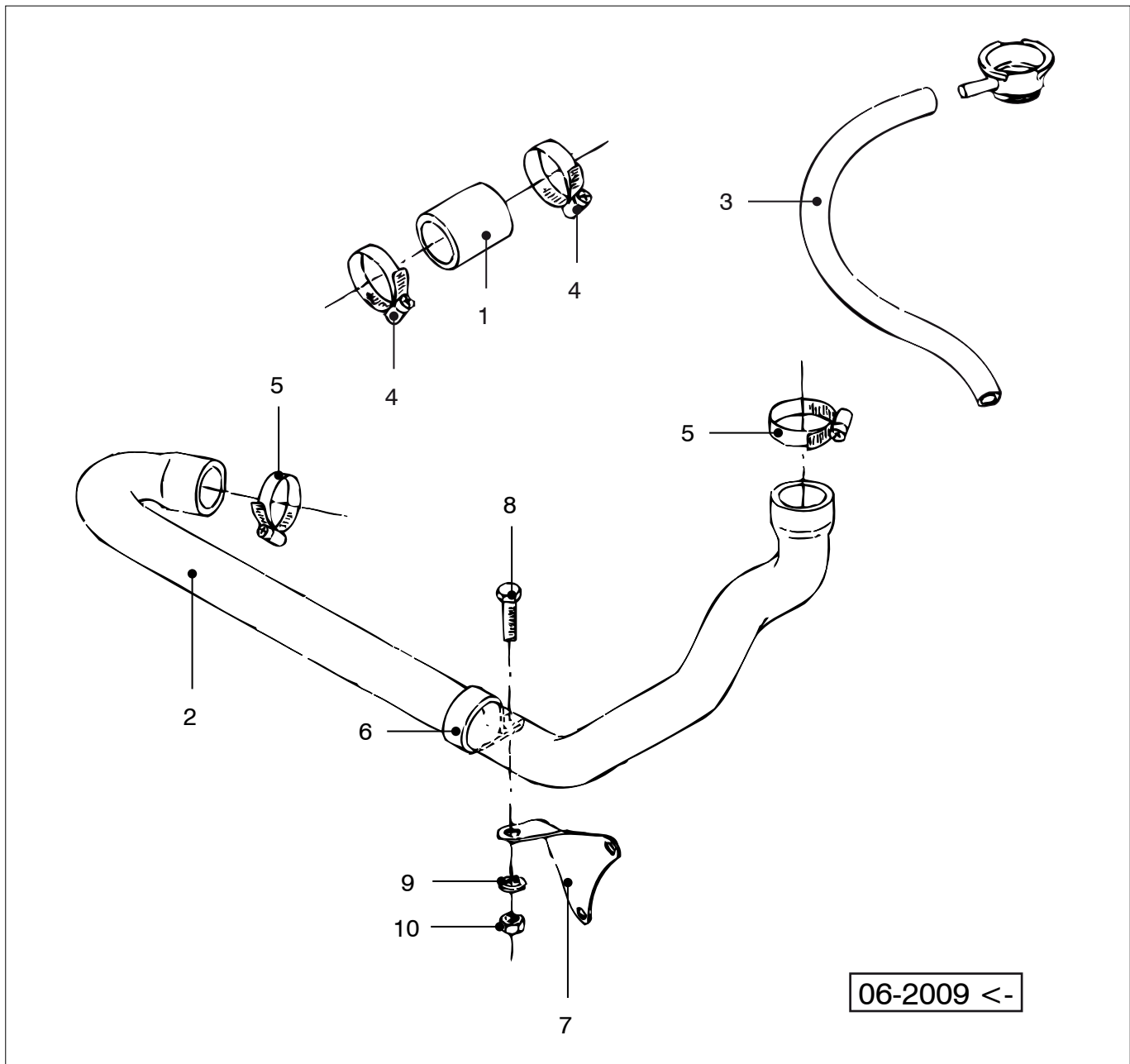


M4.15 M4.17

Thermostaathuis

Thermostat housing

pos.	qty	part	benaming	description
1	1	STM7559	Thermostaathuis	Thermostat housing
2	1	STM7855	Pakking	Gasket
3	1	STM7654	Thermostaat 76,5°C	Thermostat 76,5°C
4	2	STM1019	Gegolfde veerring M8	Wave spring washer M8
5	2	STM2261	Bout M8x1,25x40	Bolt M8x1.25x40
6	1	STM1007	Afdichtring	Seal washer
7	1	STM3796	Bout M8x1,25x10	Bolt M8x1.25x10
8	2	STM3005	Slangklem 32-44	Hose clamp 32-44
9	1	STM7560	Slang thermostaathuis <-> WW	Hose thermostathousing <-> headex.

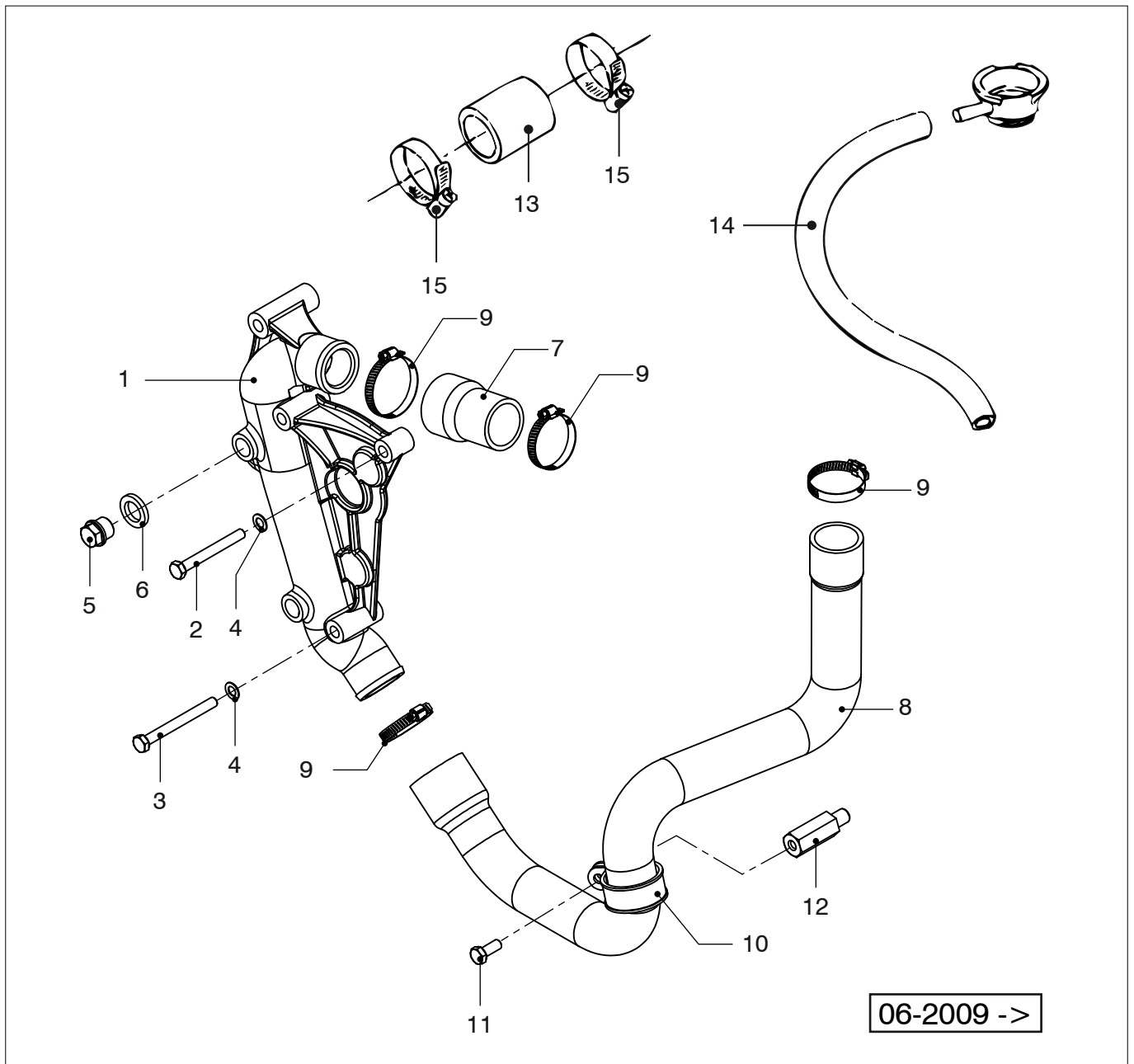


M4.15 M4.17

Slangen, binnenwater 06-2009 <-

Hoses, coolant 06-2009<-

pos.	qty	part	benaming	description
1	1	STM7560	Slang thermostaathuis <-> ww	Hose thermostathousing <-> heatex.
2	1	STM3091	Slang ww <-> binnenwaterpomp	Hose heatexchanger <-> pump
3	1	STM1027	Slang vulnek l=0,4mtr.	Hose l=0.4mtr.
4	2	STM3005	Slangklem 32-44	Hoseclamp 32-44
5	2	STM3005	Slangklem 32-44	Hoseclamp 32-44
6	1	STM3061	Klem RSGU1.35/20W1	Clamp RSGU1.35/20W1
7	1	STM7565	Bevestigingssteun	Support
8	1	STM3355	Bout M8x20	Bolt M8x20
9	1	STM1056	Veerring M8	Spring washer M8
10	1	STM2005	Moer M8	Nut M8

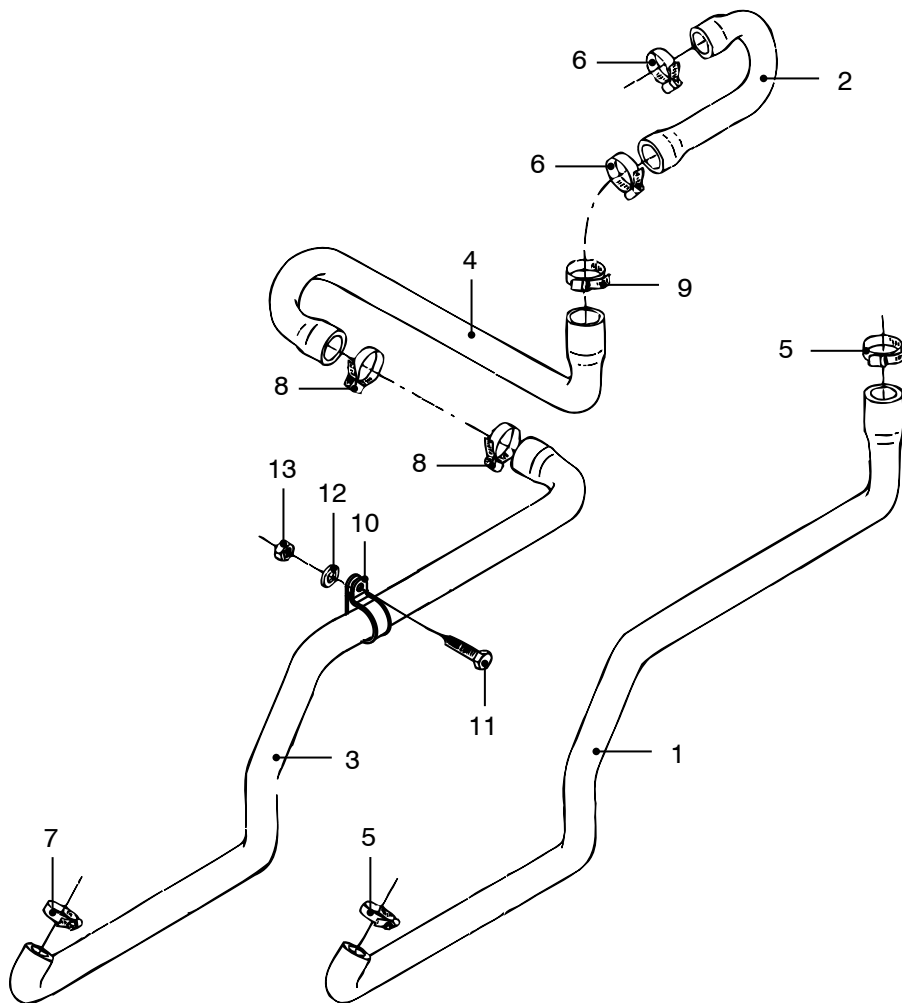


M4.15 M4.17

Slangen, binnenwater 06-2009 ->

Hoses, coolant 06-2009 ->

pos.	qty	part	benaming	description
1	1	STM9851	Dynamosteun/koelwaterpijp	Alternator bracket/coolant pipe
2	1	STM9682	Bout M8x75	Bolt M8x75
3	2	STM8126	Bout M8x90	Bolt M8x90
4	3	STM1019	Gegolfde veerring M8	Wave spring washer M8
5	3	STM7285	Plug G3/8	Plug G3/8
6	3	STM6617	Afdichtring M16	Seal washer M16
7	1	STM9852	Slang	Hose
8	1	STM9853	Slang	Hose
9	4	STM3005	Slangklem 32-44	Hose clamp 32-44
10	1	STM9859	Klem 45mm	Clamp 40mm
11	1	STM3355	Bout M8x20	Bolt M8x20
12	1	STM9860	Adapter M12x1,25->M8x1,25	Adapter
13	1	STM7560	Slang thermostaathuis <-> ww	Hose thermostathousing <-> heatex.
14	1	STM1027	Slang vulnek l=0,4mtr.	Hose l=0.4mtr.
15	2	STM3005	Slangklem 32-44	Hoseclamp 32-44

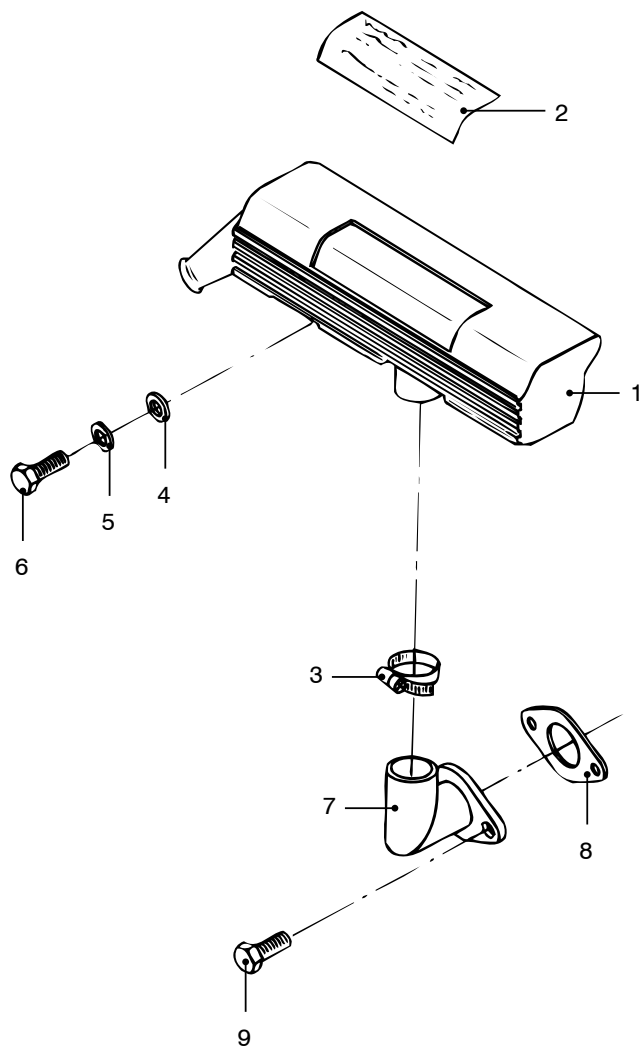


M4.15 M4.17

Slangen, buitenwater

Hoses, raw water

pos.	qty	part	benaming	description
1	1	STM7561	Slang buitenwaterpomp <-> ww	Hose seawaterpump <-> heatexchanger
2	1	STM7585	Slang ww <-> injectiebocht	Hose heatexchanger <-> inj.elbow
3	1	STM7562	Slang buitenw.pomp <-> oliekoeler	Hose pump <-> oilcooler
4	1	STM7563	Slang oliekoeler <-> ww	Hose oilcooler <-> heatex.housing
5	2	STM2012	Slangklem 19-28	Hoseclamp 19-28
6	2	STM2012	Slangklem 19-28	Hoseclamp 19-28
7	1	STM2012	Slangklem 19-28	Hoseclamp 19-28
8	2	STM6116	Slangklem 26-38	Hoseclamp 26-38
9	1	STM2012	Slangklem 19-28	Hoseclamp 19-28
10	1	STM7564	Klem RSGU1.30/20W1	Clamp RSGU1.30/20W1
11	1	STM7059	Bout M8x30	Bolt M8x30
12	1	STM1019	Gegolfde veerring M8	Wave spring washer M8
13	1	STM2005	Moer M8	Nut M8



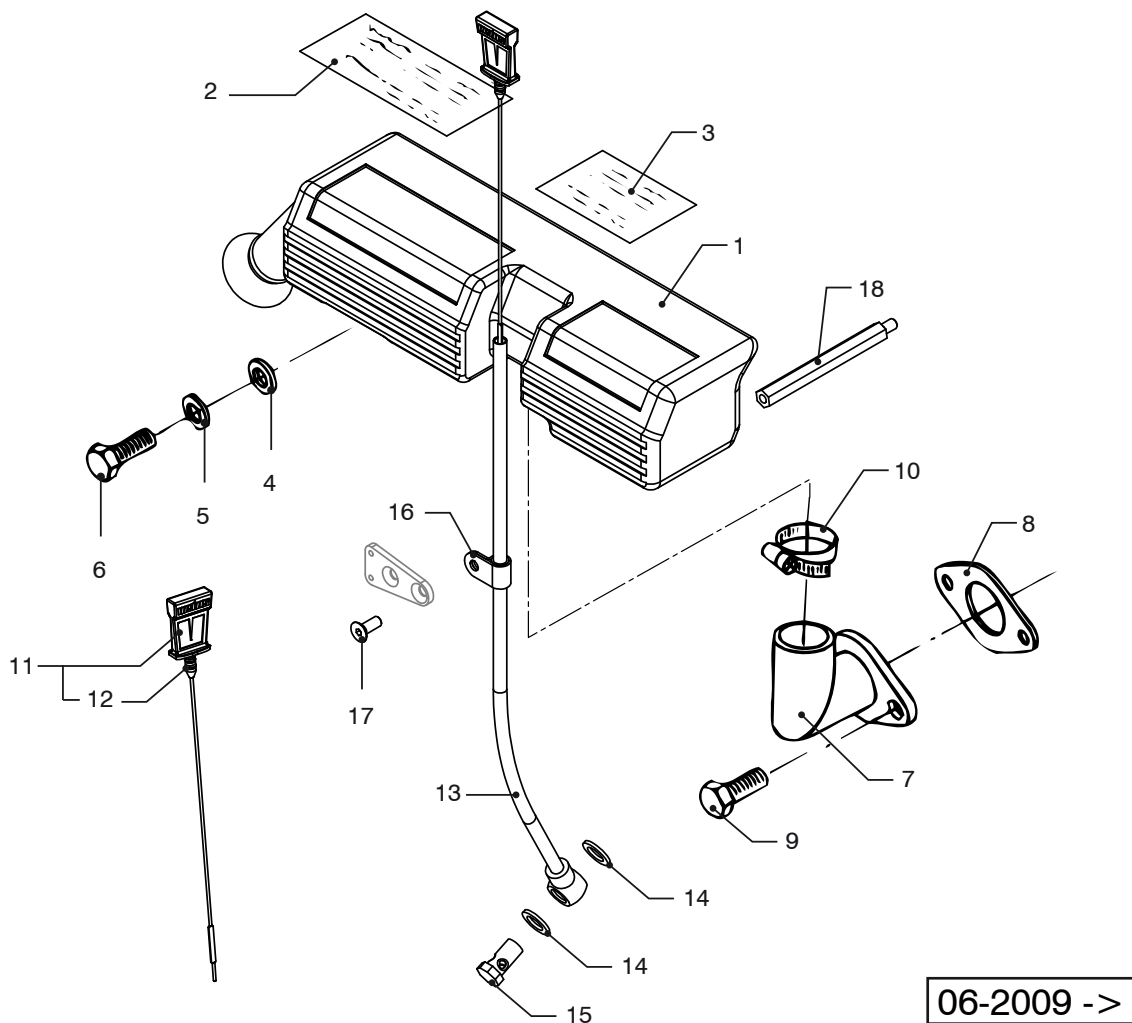
06-2009 <-

M4.15 M4.17

Luchtinlaatkast 06-2009 <-

Air intake housing 06-2009 <-

pos.	qty	part	benaming	description
1	1	STM7573	Luchtinlaatkast	Air intake housing
2	1	STM7589	Sticker M4.15	Sticker M4.15
	1	STM7574	Sticker M4.17	Sticker M4.17
3	1	STM3012	Slangklem 38-50	Hoseclamp 38-50
4	1	STM3749	Ring M8	Washer M8
5	1	STM1056	Veerring M8	Spring washer M8
6	1	STM1651	Bout M8x1,25x35	Nut M8x1.25x35
7	1	STM7821	Luchtinlaatbocht	Air intake elbow
8	1	STM7822	Pakking	Gasket
9	2	STM7824	Bout	Bolt

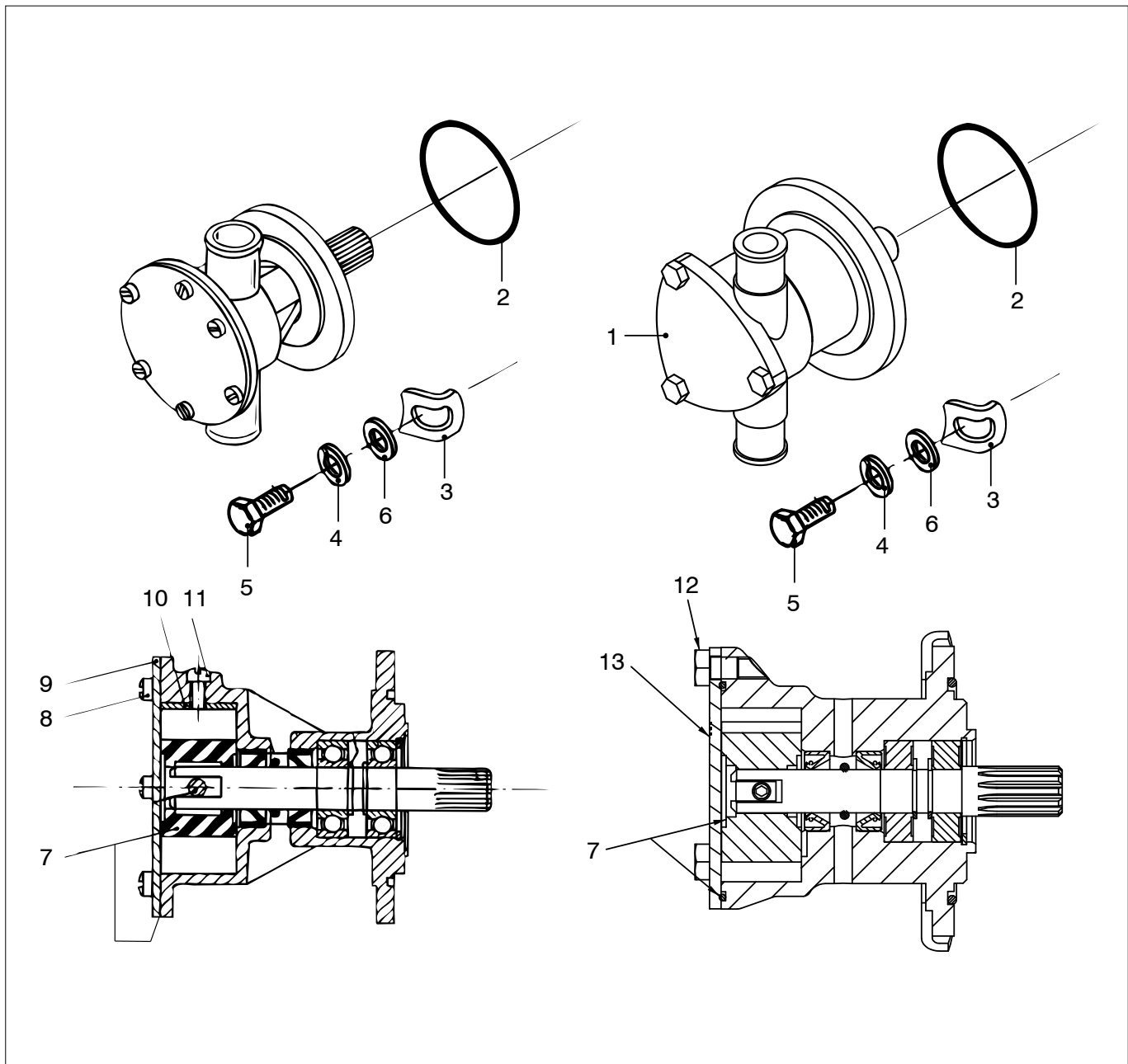


M4.15 M4.17

Luchtinlaatkast 06-2009 ->

Air intake housing 06-2009 ->

pos.	qty	part	benaming	description
1	1	STM9474	Luchtinlaatkast -> maart 2009	Air intake housing -> March 2009
2	1	STM9476	Sticker technische gegevens	Sticker technical data
3	1	STM9896	Sticker M4.15	Sticker M4.15
	1	STM9897	Sticker M4.17	Sticker M4.17
4	1	STM3749	Ring M8	Washer M8
5	1	STM1056	Veerring M8	Spring washer M8
6	1	STM1651	Bout M8x1,25x35	Nut M8x1.25x35
7	1	STM7821	Luchtinlaatbocht	Air intake elbow
8	1	STM7822	Pakking	Gasket
9	2	STM7824	Bout	Bolt
10	1	STM3012	Slangklem 38-50	Hoseclamp 38-50
11	1	STM7442	Oliepeilstok	Oil dipstick
12	2	STM7435	O-ring	O-ring
13	1	STM7484	Pijp oliepeilstok	Pipe oil dipstick
14	2	STM1062	Afdichtring	Seal washer
15	1	STM7443	Banjo bout	Banjo bolt
16	1	STM6305	Klem	Clamp
17	1	STM7458	Schroef M8x20	Screw M8x20
18	1	STM7472	Afstandhouder L=122	Spacer L=122

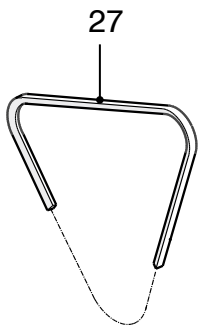
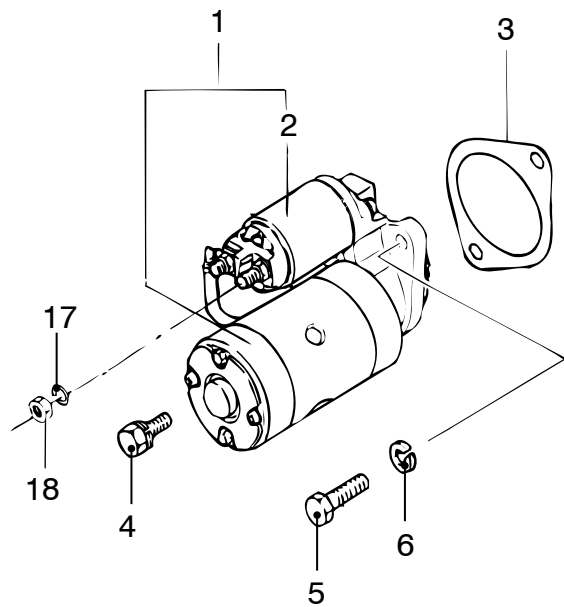
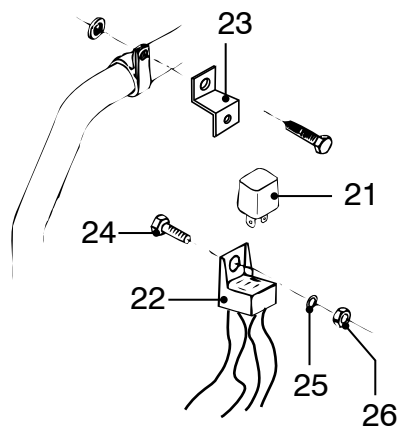


M4.15 M4.17

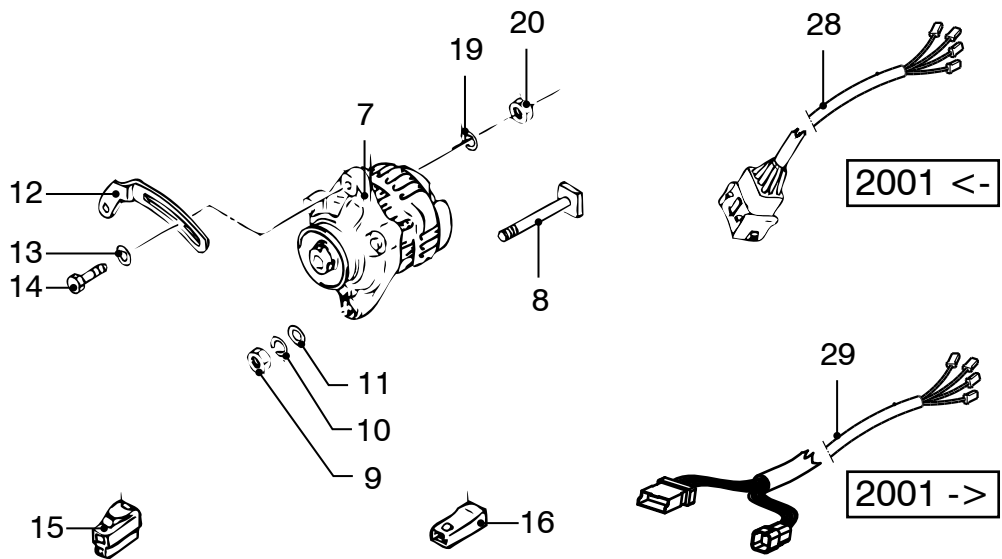
Zeewaterpomp

Seawater pump

pos.	qty	part	benaming	description
1	1	STM7630	Pomp 3/4 kam	Pump 3/4 cam
2	1	STM6127	O-ring	O-ring
3	4	STM6126	Kikkerplaatje	Clamp plate
4	4	STM1056	Veerring M8	Spring washer M8
5	4	STM1610	Bout M8x25	Bolt M8x25
6	4	STM1653	Ring M8	Washer M8
7	1	STM8076	Impeller+pakking	Impeller+pakking
8	6	STM6163	Schroef	Screw
9	1	STM7629	Deksel (rond)	Cover (round)
10	1	STM7631	Kam 3/4 (2,6mm)	Cam 3/4 (2.6mm)
11	1	STM6167	Schroef	Screw
12	3	STM7689	Schroef	Screw
13	1	STM7688	Deksel (driehoekig)	Cover (triangular)



50 A

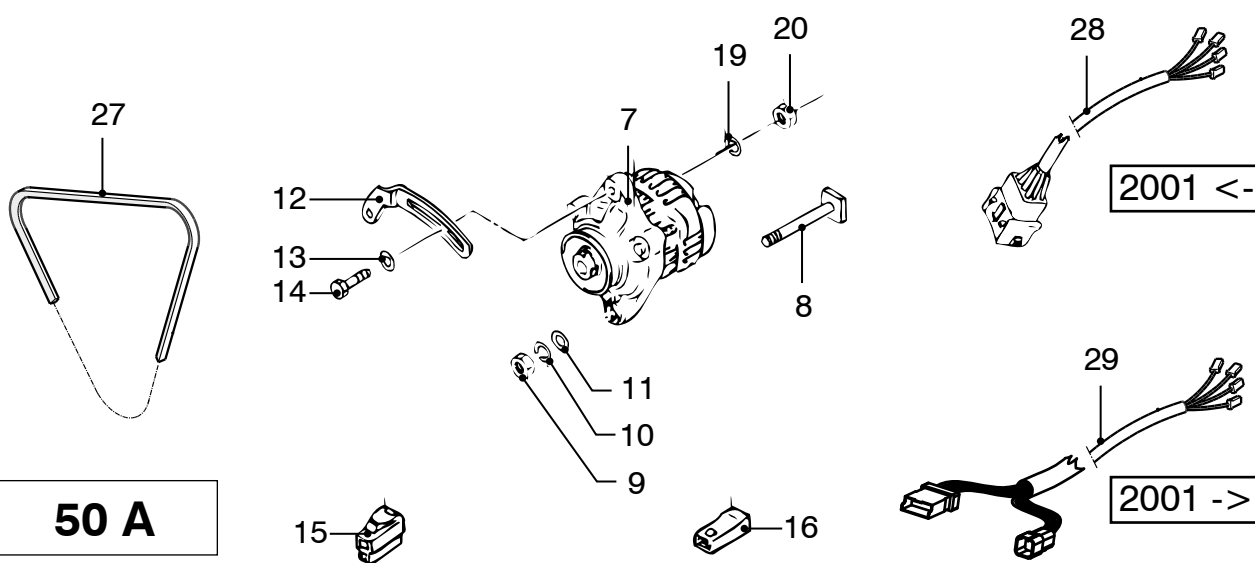
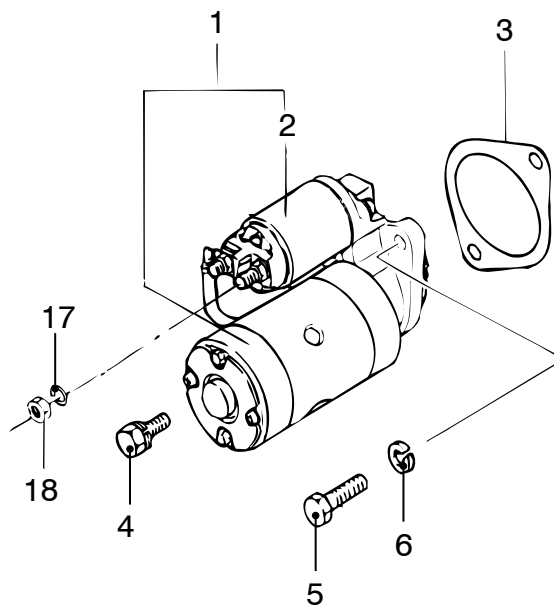
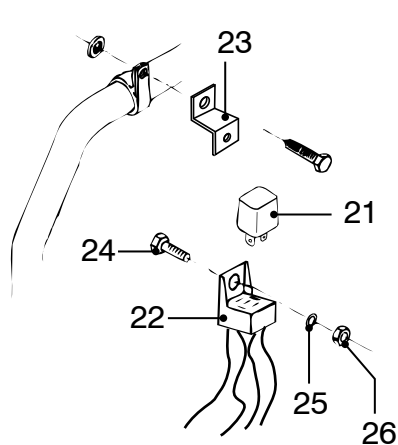


M4.15 M4.17

Startmotor + dynamo

Starter motor + alternator

pos.	qty	part	benaming	description
1	1	STM7944	Startmotor	Starter motor
	1	STM9973	Startmotor M4.17 serienr. 093454 ->	Starter motor M4.17 serial nr. 093454 ->
2	1	STM7967	Relais	Relay
3	1	STM7936	Pakking	Gasket
4	1	STM7933	Bout	Bolt
5	1	STM7934	Bout	Bolt
6	1	STM7935	Ring	Washer
7	1	STM7945	Dynamo 12V-50A	Alternator 12V-50A
8	1	STM7943	Bout	Bolt
9	1	STM7940	Moer	Nut
10	1	STM7941	Ring	Washer
11	1	STM7942	Moer	Nut
12	1	STM7937	Spansteun	Tension support
13	1	STM7938	Ring	Washer
14	1	STM7939	Bout	Bolt
15	1	STM6278	Stekkerhuls	Connector

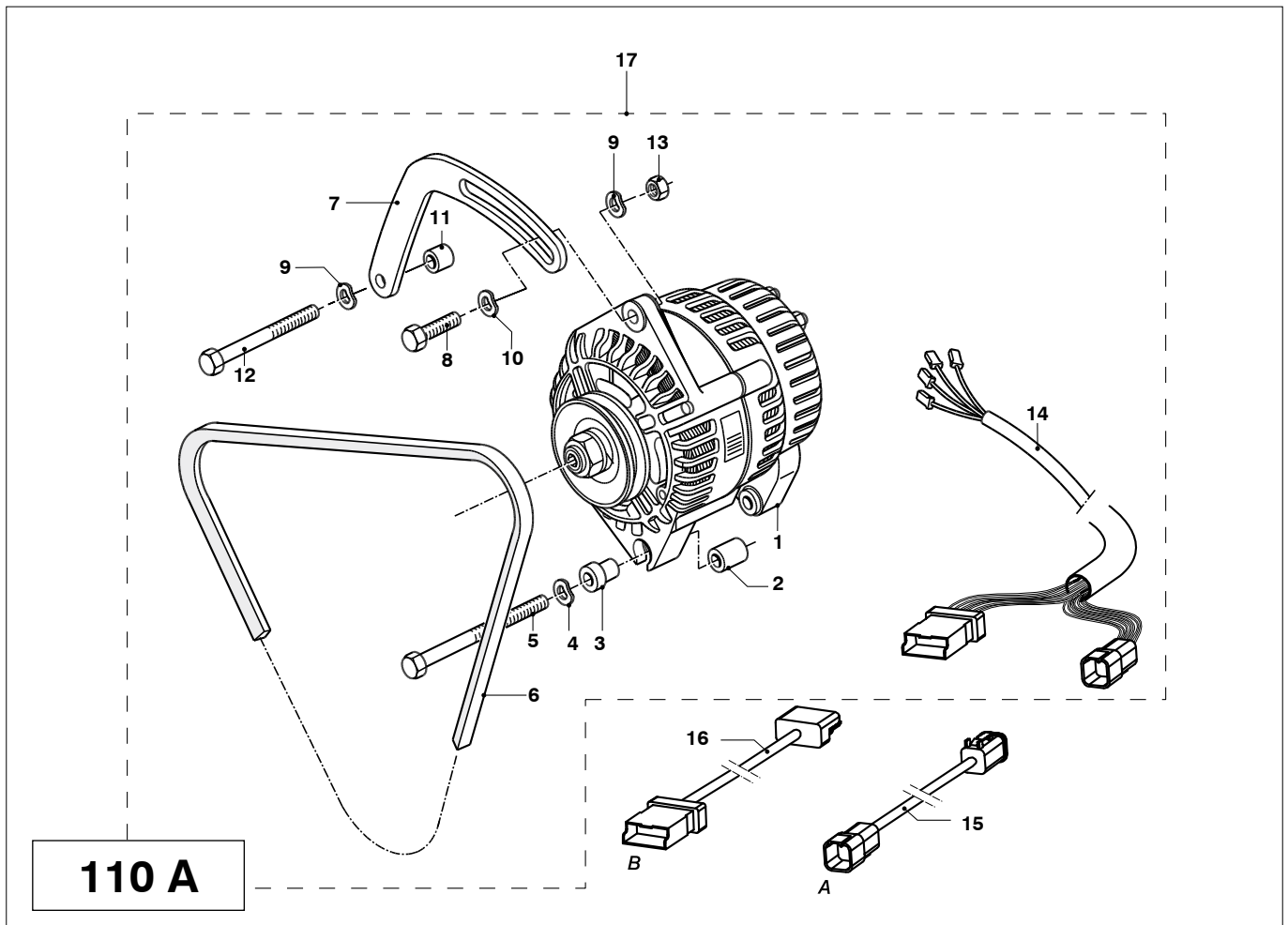


M4.15 M4.17

Startmotor + dynamo

Starter motor + alternator

pos.	qty	part	benaming	description
16	1	STM6277	Stekkerhuls	Connector
17	1	STM1019	Gegolfde veerring M8	Wave spring washer M8
18	1	STM6568	Moer M8	Nut M8
19	1	STM1025	Gegolfde veerring M6	Wave spring washer M8
20	1	STM2005	Moer M6	Nut M6
21	1	STM9050	Relais	Relay
22	1	STM7656	Draadboom hulpstartrelais cpl.	Wiring loom aux. starter relay cpl.
23	1	STM7655	Beugel	Bracket
24	1	STM9062	Bout	Bolt
25	1	STM8177	Ring	Washer
26	1	STM1705	Moer	Nut
27	1	STM7966	V-snaar 50 A	V-belt
28	1	STM6931	Bedrading 50 A 2001 <-	Wiring 50 A 2001 <-
29	1	STM7649	Bedrading 50 A 2001 ->	Wiring 50 A 2001 ->

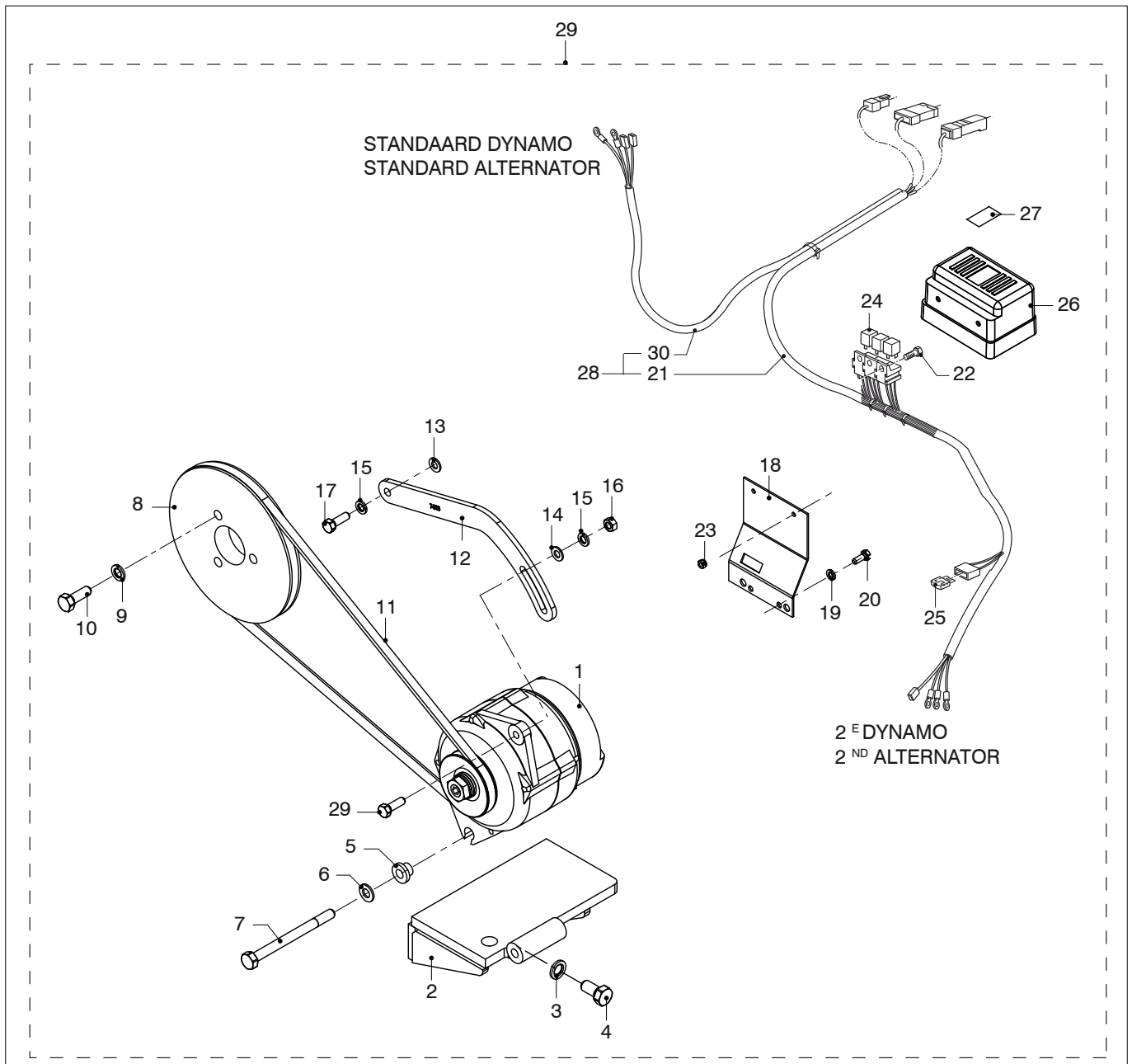


M4.15 M4.17

**Dynamo 110 A - 12 V 1P
Standaard**

**Alternator 110 A - 12 V Earth return
Standard**

pos.	qty	part	benaming	description
1	1	STM9292	Dynamo 110 A - 12 V 1P	Alternator 95 A - 12 V Earth return
2	1	STM7640	Bus	Bushing
3	1	STM7641	Kraagbus	Collar bushing
4	1	STM2022	Gegolfde veerring M10	Wave spring washer M10
5	1	STM7642	Bout M10 x 120	Bolt M10 x 120
6	1	STM7643	V-snaar AVX 10 x 995 La (SPZ)	Washer AVX 10 x 995 La (SPZ)
7	1	STM7627	Spansteun	Tensioner bracket
8	1	STM1610	Bout M8 x 25	Bolt M8 x 25
9	2	STM1056	Veerring M8	Spring washer M8
10	1	STM4619	Ring M8	Washer M8
11	1	STM7646	Bus l=10	Bushing l=10
12	1	STM9682	Bout M8x75	Bolt M8x75
13	1	STM2005	Moer M8	Nut M8
14	1	STM7649	Motorbedrading 110 A 06-2009 <-	Engine wiring loom 110 A 06-2009 <-
	1	STM9862	Motorbedrading 110 A 06-2009 ->	Engine wiring loom 110 A 06-2009 ->
15	1	STM6941	Tussenkabel A 2 m grijs 6 polig	Intermediate cable A 2 gray 6 pole
		STM6942	Tussenkabel A 4 m grijs 6 polig	Intermediate cable A 4 gray 6 pole
		STM6943	Tussenkabel A 6 m grijs 6 polig	Intermediate cable A 6 gray 6 pole
		STM6944	Tussenkabel A 12 m grijs 6 polig	Intermediate cable A 12 gray 6 pole
16	1	STM6945	Tussenkabel B 2 m grijs 6 polig	Intermediate cable A 2 m gray 6 pole
		STM6946	Tussenkabel B 4m grijs 6 polig	Intermediate cable B 4 m gray 6 pole
		STM6947	Tussenkabel B 6m grijs 6 polig	Intermediate cable B 6 m gray 6 pole
		STM6948	Tussenkabel B 12m grijs 6 polig	Intermediate cable B 12 m gray 6 pole
17	1	STM9466	Set 110 A dynamo 06-2009 <-	Set 110 A alternator 06-2009 <-

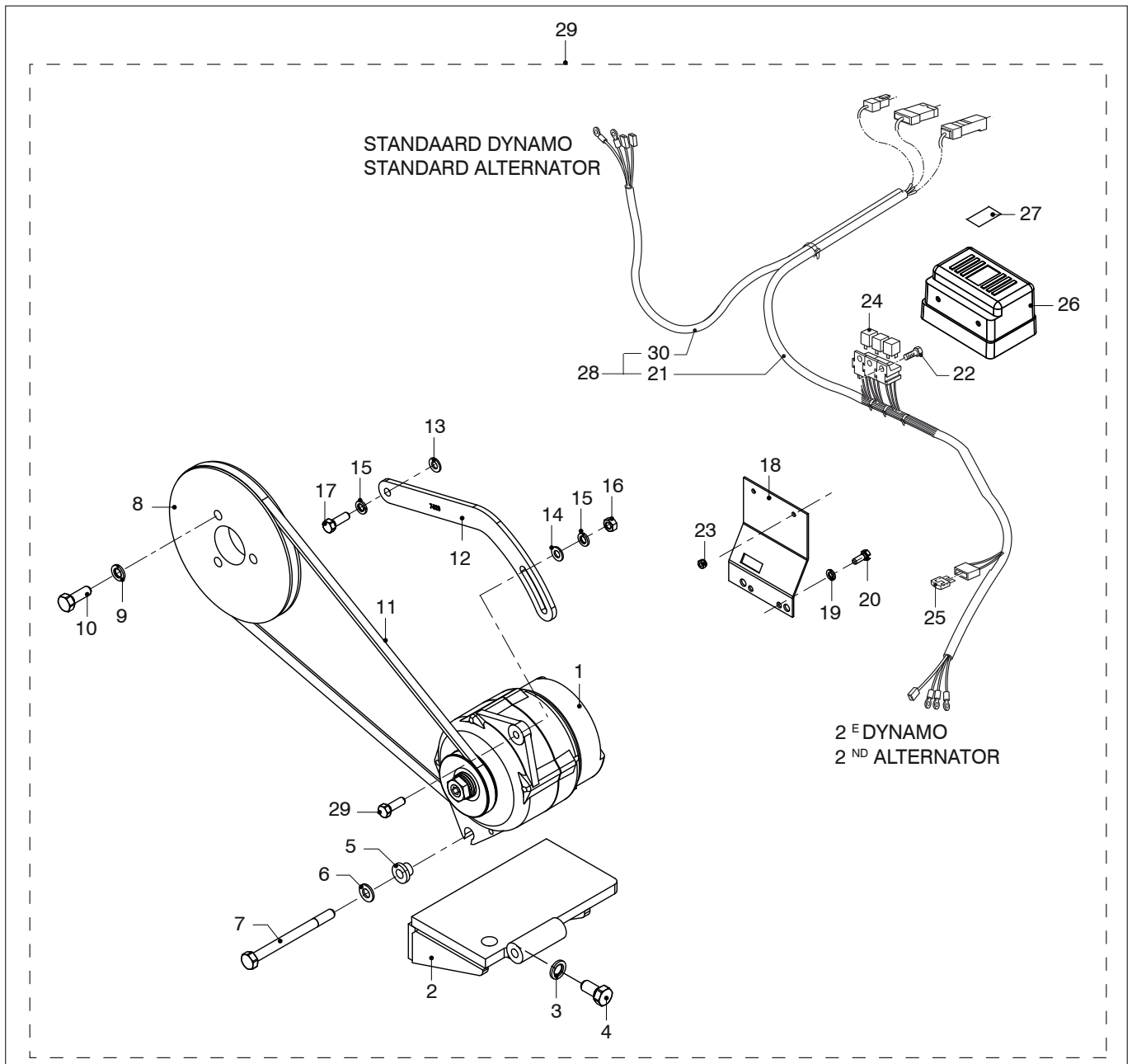


M4.15 M4.17

Dynamo 12V-110A 1p 2e dynamo, kielkoeling 06-2009<-

Alternator 12V-110A 1p 2nd alternator, keelcooling 06-2009<-

pos.	qty	part	benaming	description
1	1	STM9292	Dynamo 110A-12V 1p	Alternator 110A-12V 1p
2	1	STM7624	Dynamo-motorsteun	Alternator-engine support
3	4	STM4003	Veerring M12	Spring washer M12
4	4	STM7667	Bout M12x1,25x25	Bolt M12x1,25x25
5	1	STM7641	Kraagbus	Collar bushing
6	1	STM2022	Gegolfde veerring M10	Wavespring washer M10
7	1	STM7642	Bout M10x120	Bolt M10x120
8	1	STM7625	V-snaar schijf	Pulley
9	3	STM4014	Veerring M10	Spring washer M10
10	3	STM4013	Bout M10x1,25x30	Bolt M10x1,25x30
11	1	STM7444	V-snaar AVX 10 x 1005 la (spz)	V-belt AVX 10 x 1005 la (spz)
12	1	STM7623	Spansteun	Tensioner bracket
13	2	STM1653	Vulring	Spacer
14	1	STM4619	Ring M8	Washer M8
15	2	STM1056	Veerring M8	Spring washer M8
16	1	STM2005	Moer M8	Nut M8

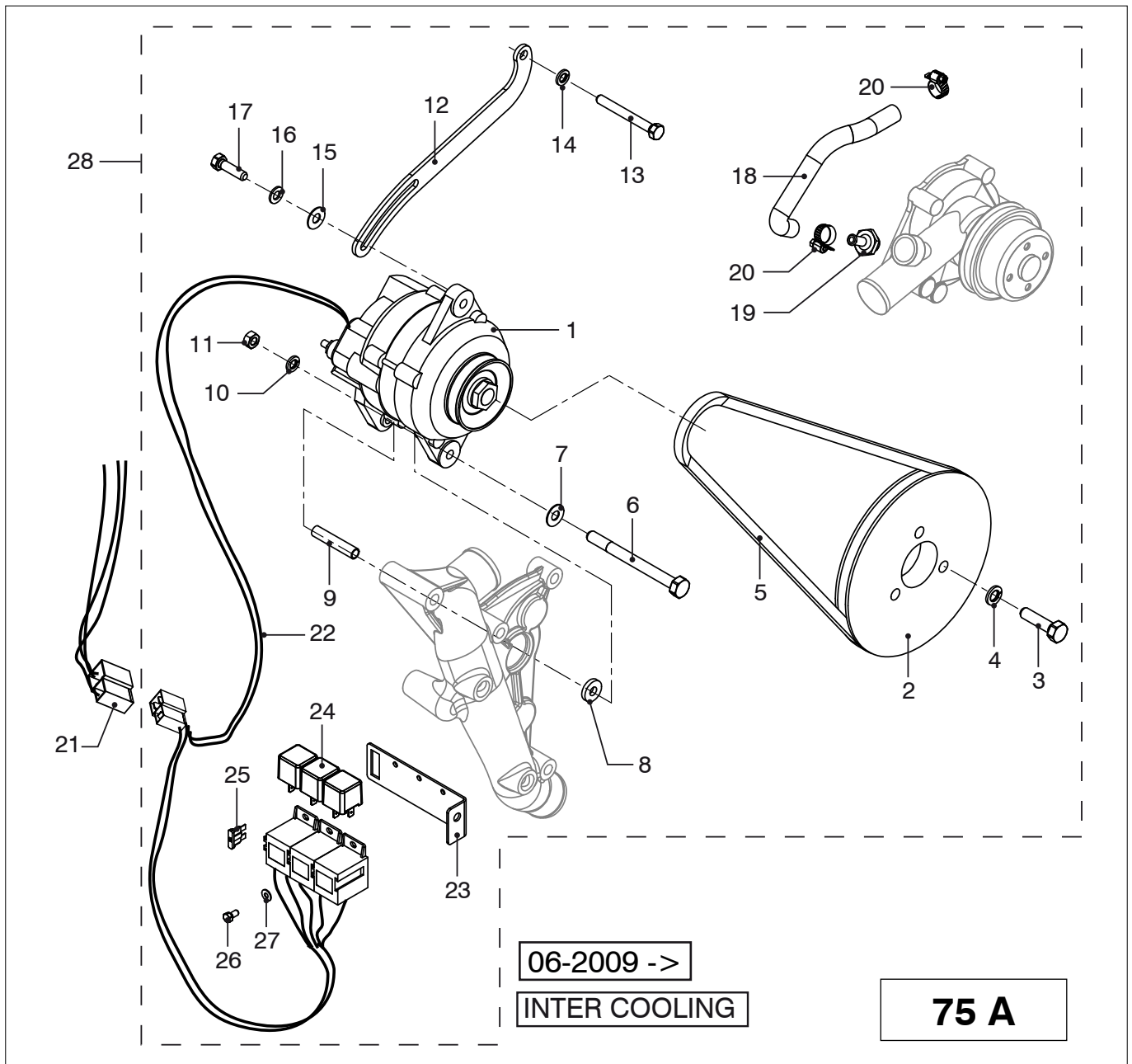


M4.15 M4.17

**Dynamo 12V-110A 1p 2e dynamo, kielkoe-
ling 06-2009<-**

**Alternator 12V-110A 1p 2nd alternator,
keelcooling 06-2009<-**

pos.	qty	part	benaming	description
17	1	STM1610	Bout M8x25	Bolt M8x25
18	1	STM4612	Relais steun	Relay support
19	2	STM1025	Gegolfde veerring M6	Wave spring washer M6
20	2	STM1024	Bout M6x15	Bolt M6x15
21	1	STM6991	Bedrading 2e dynamo	Wiring 2e alternator
22	2	CT40075	Bout M5x16	Bolt M5x16
23	2	STM6159	Zelfborgende moer M5	Nyloc nut M5
24	3	STM9050	Relais	Relais
25	1	STM4614	ATO Zekering 10A	ATO Fuse 10A
26	1	STM4611	Deksel	Cover
27	1	STM7591	Sticker	Sticker
28	1	STM6990	Motor bedrading 7649+6991	Engine wiring 7649+6991
29	1	STM6995	Set extra dynamo	Set 2nd alternator
30	1	STM7649	Motorbedrading standaard	Engine wiring standard

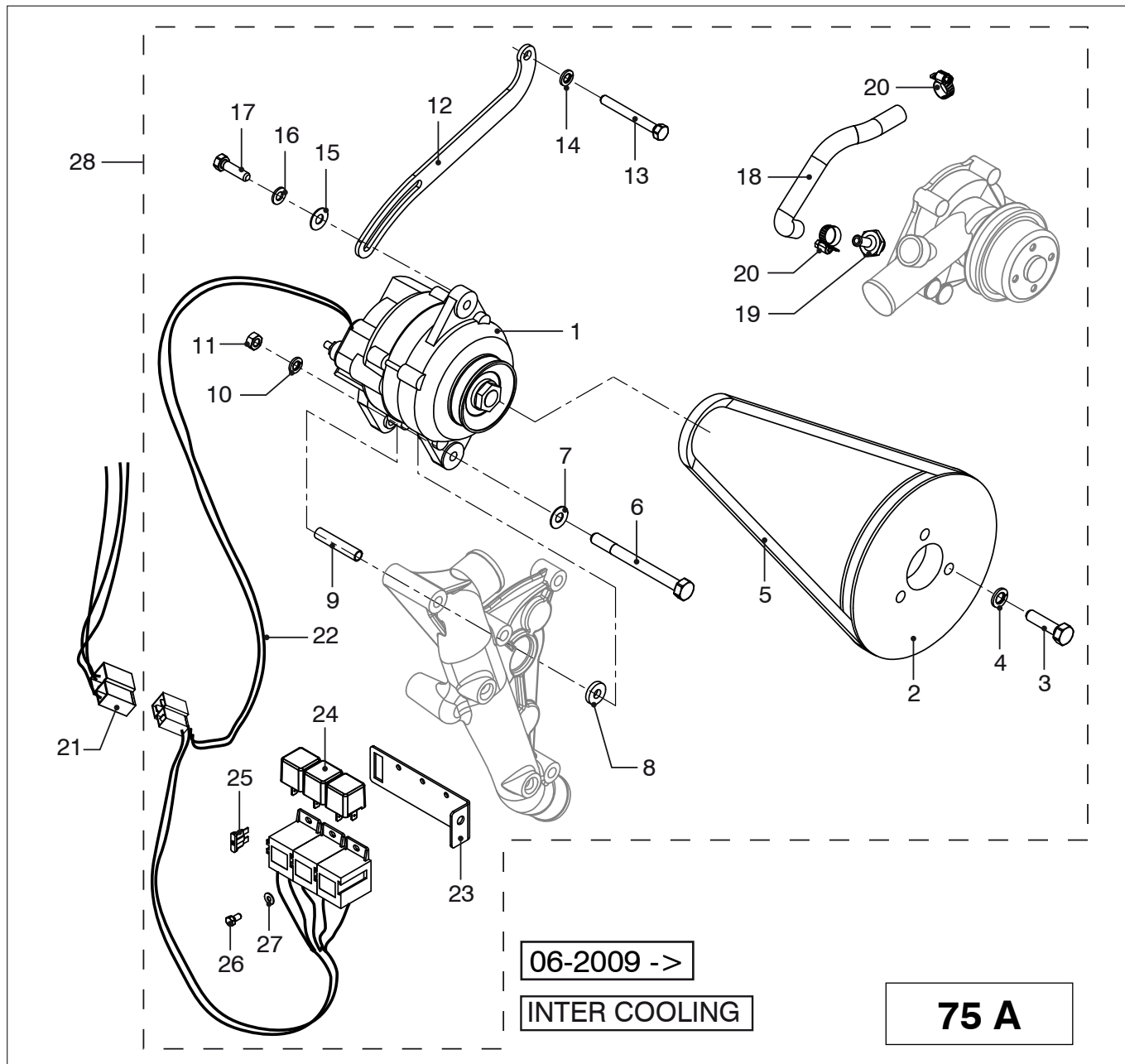


M4.15 M4.17

**Tweede dynamo 12 V - 75 A, 1p.,
Interkoeling**

**Extension alternator 12 V - 75 A, 1p.,
Intercooling**

pos.	qty	part	benaming	description
1	1	STM7437	Dynamo 12V-75A 1p.	Alternator 12v-75A 1p.
2	1	STM7625	V-snaar schijf dw=176	Pulley dw=176
3	3	STM3688	Bout M10x1,25x40	Bolt M10x1,25x40
4	3	STM4014	Veerring M10	Spring washer M10
5	1	STM9857	V-snaar AVX10x1090la (spz)	V-belt AVX10x1090la (spz)
6	1	STM6121	Bout M8x110	M10x110
7	1	STM1653	Sluitring M8	Ring M8
8	1	CT30059	Bus 21x8,5 d=4	Bush 21x8,5 d=4
9	1	STM9854	Bus	Bush
10	1	STM1019	Veerring M8	Spring washer M8
11	1	STM2005	Moer M8	Nut M8
12	1	STM9856	Spansteun	Tensioner Bracket
13	1	STM6562	Bout M8x70	Bolt M8x70
14	1	STM1056	Veerring M8	Spring washer M8
15	1	STM4619	Ring	Washer
16	1	STM1019	Gegolfde veerring M8	Wave spring washer M8

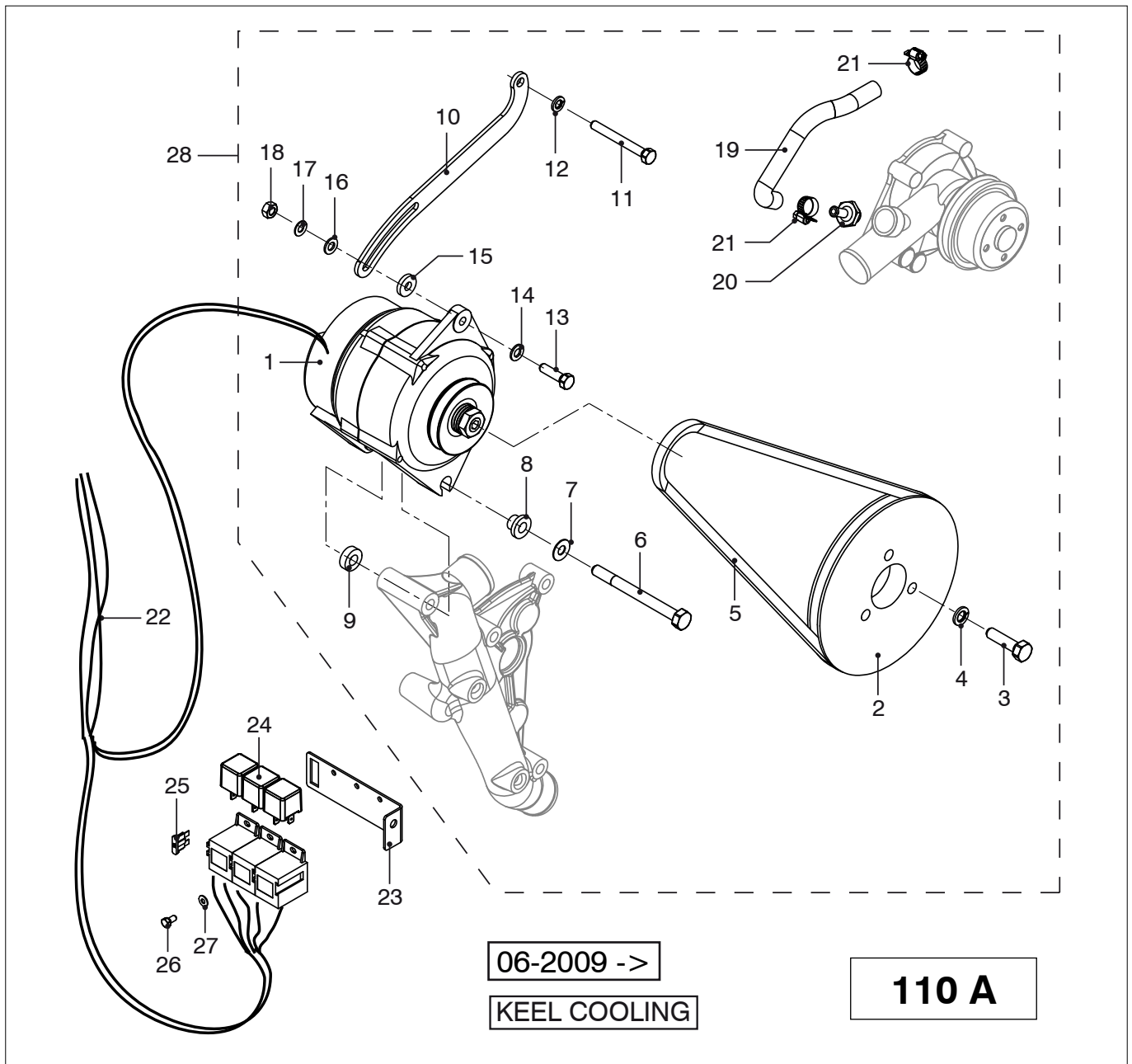


M4.15 M4.17

**Tweede dynamo 12 V - 75 A, 1p.,
Interkoeling**

**Extension alternator 12 V - 75 A, 1p.,
Intercooling**

pos.	qty	part	benaming	description
17	1	STM7059	Bout M8x30	Bolt M8x30
18	1	STM9440	Slang	Hose
19	1	STM9441	Slangpilaar	Hose pilar
20	2	STM3056	Slangklem	Hose clamp
21	1	STM9862	Motorbedrading	Engine wiring
22	1	STM9863	Bedrading extra dynamo 75 A	Wiring second alternator 75 A
23	1	STM9861	Relaissteun	Relay support
24	3	STM9050	Relais	Relais
25	1	STM4614	ATO Zekering 10A	ATO Fuse 10A
26	3	STM9063	Bout M5x10	Bolt M5x10
27	3	STM7294	Gegolfde veerring M5	Wave spring washer M5
28	1	STM9806	Set 2 ^e dynamo 75 A	Set 2 nd alternator 75 A

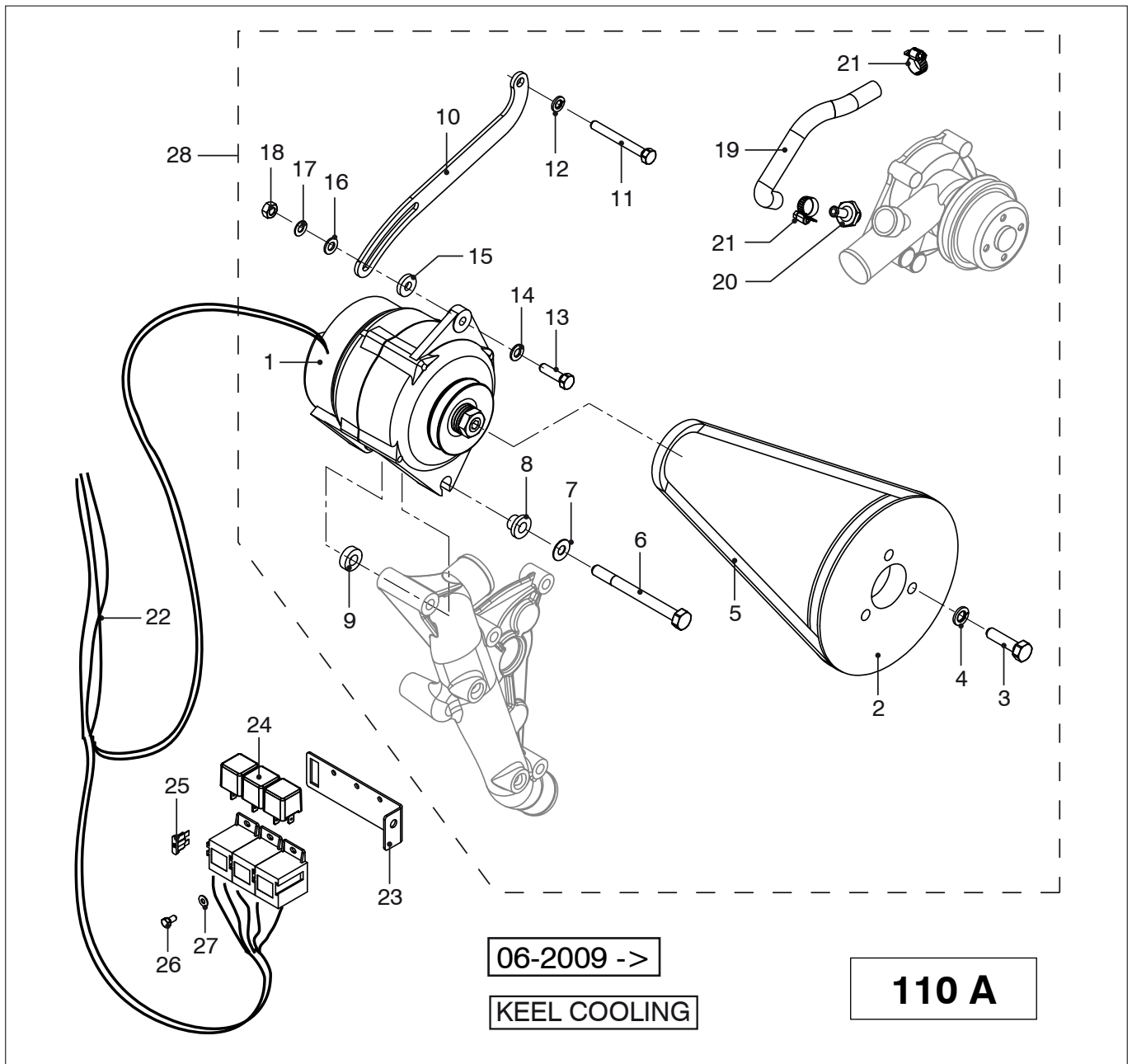


M4.15 M4.17

**Tweede dynamo 12 V - 110 A, 1p., kielkoe-
ling**

**Extension alternator 12 V - 110 A, 1p., keel-
cooling**

pos.	qty	part	benaming	description
1	1	STM9292	Dynamo 12V-110A 1p.	Alternator 12v-110A 1p.
2	1	STM7625	V-snaar schijf dw=176	Pulley dw=176
3	3	STM3688	Bout M10x1,25x40	Bolt M10x1,25x40
4	3	STM4014	Veerring M10	Spring washer M10
5	1	STM9858	V-snaar AVX10x1113la (spz)	V-belt AVX10x1113la (spz)
6	1	STM7642	Bout M10x120	M10x120
7	1	STM2022	Gegolfde veerring M10	Wave spring washer M10
8	1	STM7641	Kraagbus	Collar bushing
9	1	STM9855	Bus 22x10,5 d=7	Bush 22x10,5 d=7
10	1	STM9856	Spansteun	Tensioner Bracket
11	1	STM6562	Bout M8x70	Bolt M8x70
12	1	STM1056	Veerring M8	Spring washer M8
13	1	STM7059	Bout M8x30	Bolt M8x30
14	1	STM1653	Sluitring M8	Ring M8
15	1	CT30059	Bus d=4	Spacer d=4
16	1	STM4619	Ring	Washer

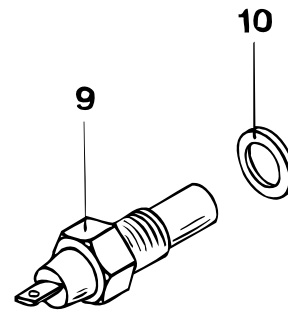
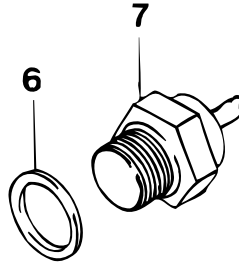
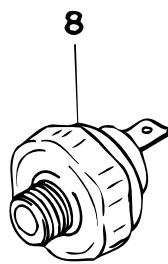
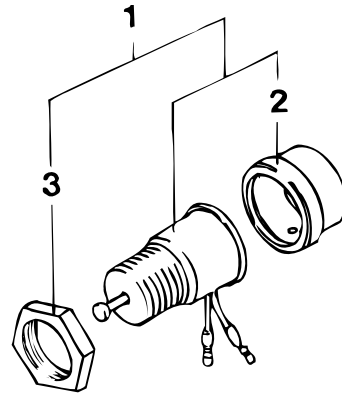
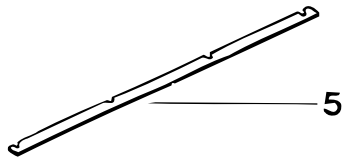
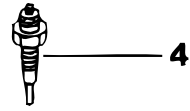


M4.15 M4.17

**Tweede dynamo 12 V - 110 A, 1p., kielkoe-
ling**

**Extension alternator 12 V - 110 A, 1p., keel-
cooling**

pos.	qty	part	benaming	description
17	1	STM1019	Gegolfde veerring M8	Wave spring washer M8
18	1	STM2005	Moer M8	Nut M8
19	1	STM9440	Slang	Hose
20	1	STM9441	Slangpilaar	Hose pilar
21	2	STM3056	Slangklem	Hose clamp
22	1	STM9864	Bedrading	Wiring
23	1	STM9861	Relaissteun	Relay support
24	3	STM9050	Relais	Relais
25	1	STM4614	ATO Zekering 10A	ATO Fuse 10A
26	3	STM9063	Bout M5x10	Bolt M5x10
27	3	STM7294	Gegolfde veerring M5	Wave spring washer M5
28	1	STM9805	Set 2 ^e dynamo 110 A	Set 2 nd alternator 110 A

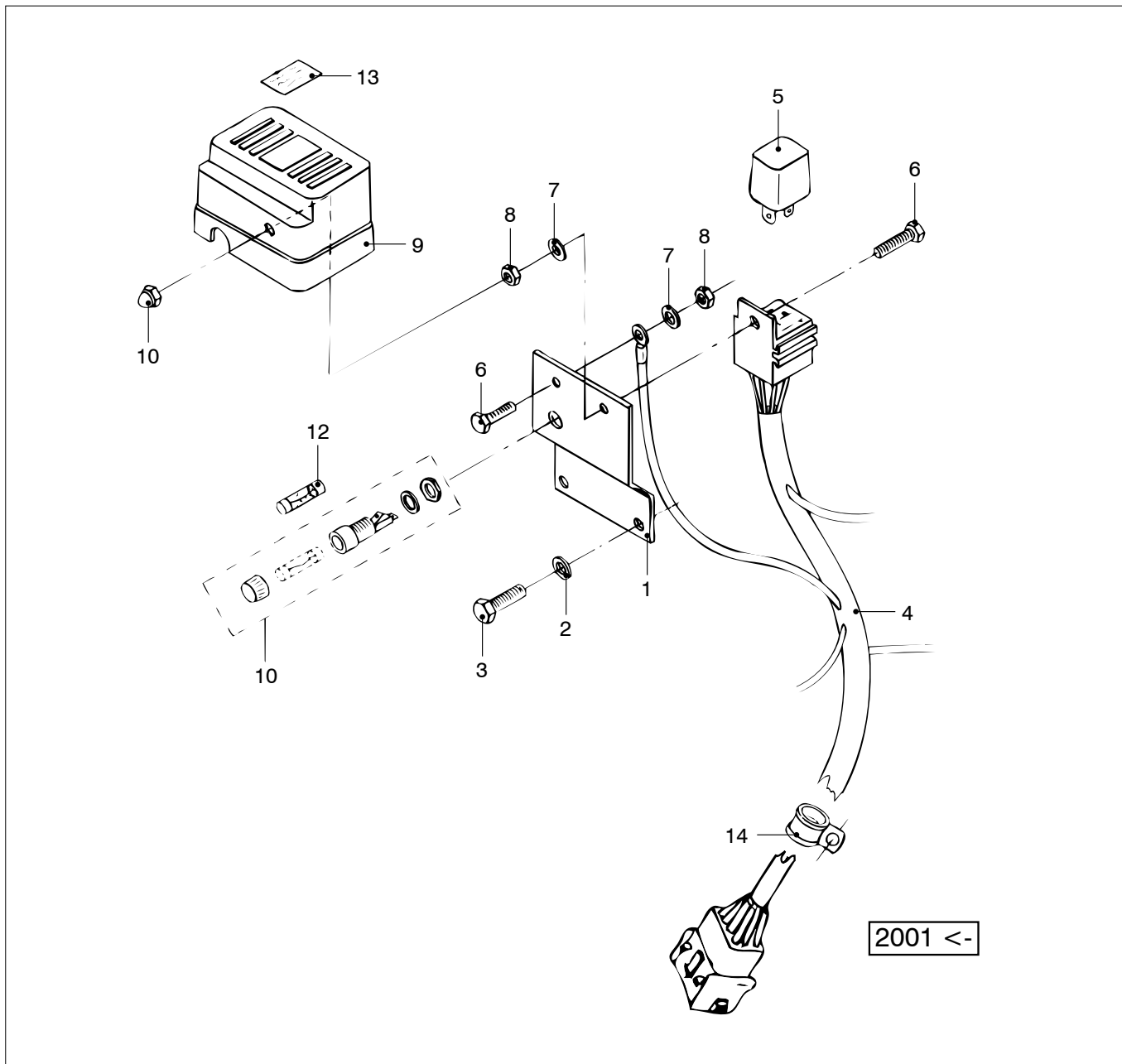


M4.15 M4.17

Zenders + schakelaars

Sender units + switches

pos.	qty	part	benaming	description
1	1	STM2740	Stopmagneet cpl.	Solenoid cpl.
2	1	STM3650	Rubber kap	Rubber cap
3	1	STM2742	Moer	Nut
4	4	STM7931	Gloeibougie	Glow plu
5	1	STM7932	Strip	Plate
6	1	STM6269	Afdichtring M16	Seal washer M16
7	1	STM7999	Temp. schak. koelvl.st. 105 °C M16x1,5 1p	Temp. switch coolant 105 °C M16x1.5 1p
8	1	STM7834	Oliedrukschakelaar M10x1k 1p	Oil pressure switch M10x1k 1p
9	1	STM2006	Temp.schak. uitlaat 75°C M18x1,5 1p	Temp. switch exhaust 75°C M18x1.5 1p
10	1	STM2019	Afdichtring	Seal washer

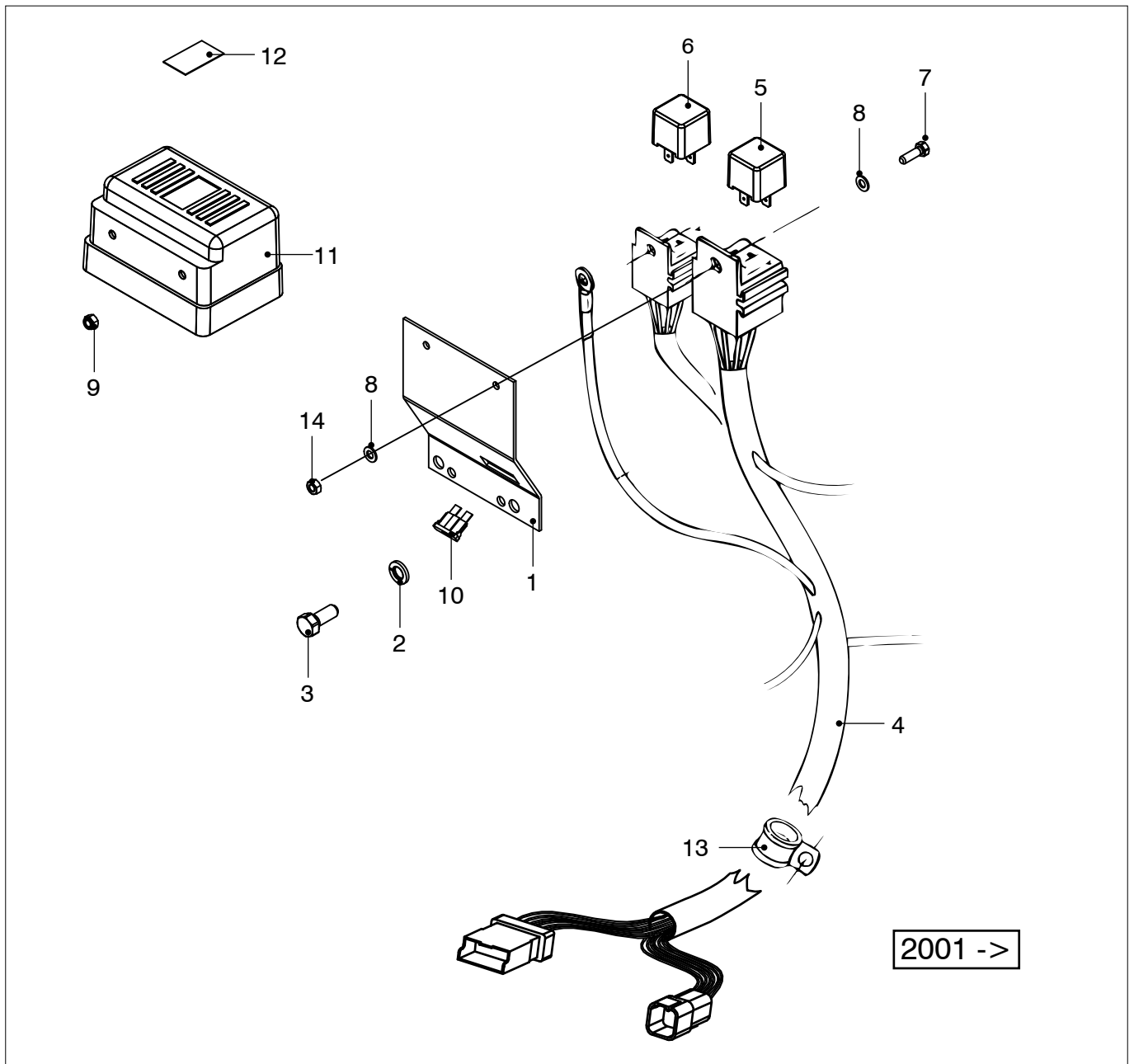


M4.15 M4.17

Bedradingskast, 2001 <-

Terminal box, 2001 <-

pos.	qty	part	benaming	description
1	1	STM6412	Bedradingssteun	Wiring support
2	2	STM1019	Gegolfde veerring M8	Wave spring washer M8
3	2	STM3355	Bout M8x1,25x20	Bolt M8x1.25x20
4	1	STM7578	Motorbedrading	Engine wiring
5	1	STM9043	Relais 12V-70A	Relais 12V-70A
6	2	STM9062	Bout M5x0,8x20	Bolt M5x0.8x20
7	2	STM8177	Gegolfde veerring M5	Wave spring washer M5
8	3	STM1705	Moer M5	Nut M5
9	1	STM6248	Deksel	Cover
10	1	STM6159	Zelfborgende moer M5	Nyloc nut M5
11	1	STM9184	Zekeringhouder	Fuse support
12	1	STM9185	Glaszekering 10A traag ø6,3x32mm	Glass fuse 10A slow ø6,3x32mm
13	1	STM7591	Sticker	Sticker
14	1	STM3066	Klem	Clamp

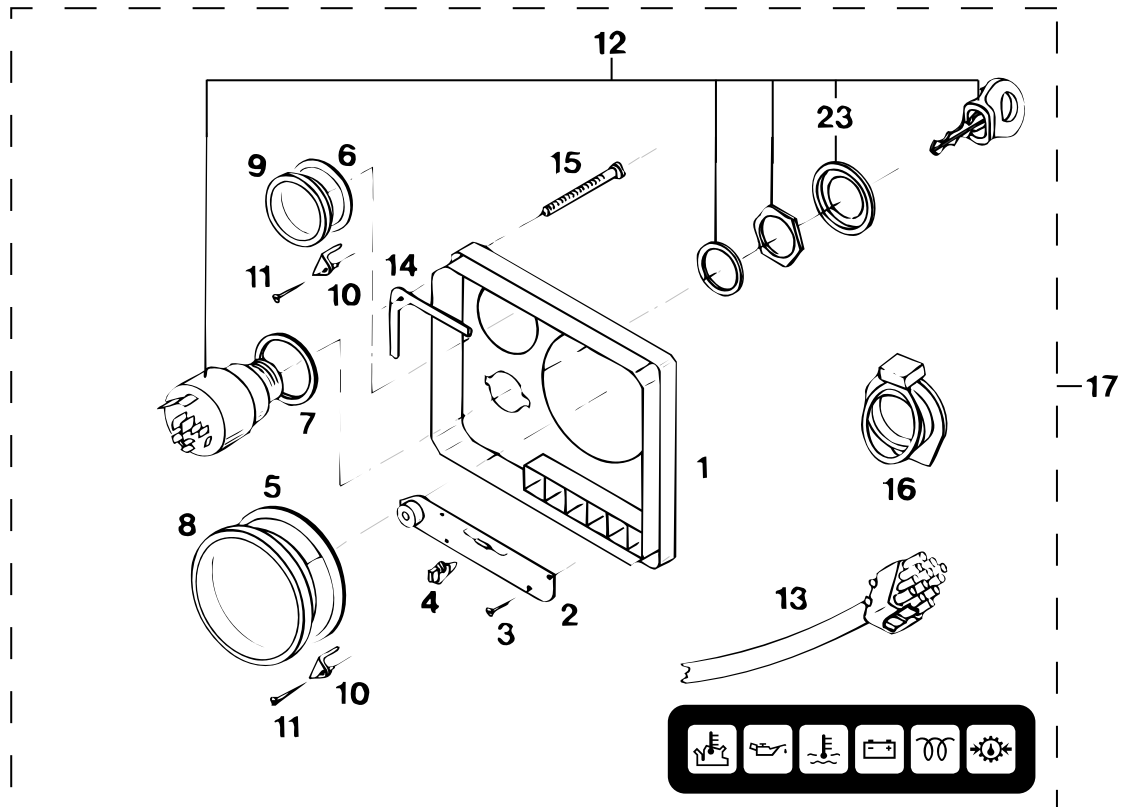


M4.15 M4.17

Bedradingskast, 2001 ->

Terminal box, 2001 ->

pos.	qty	part	benaming	description
1	1	STM4612	Bedradingssteun	Wiring support
2	2	STM1056	Veerring M8	Spring washer M8
3	2	STM3355	Bout M8x20	Bolt M8x20
4	1	STM6931	Motorbedrading 50 A dynamo	Engine wiring 50 A alternator
	1	STM7649	Motorbedrading 110 A dynamo 06-2009 <-	Engine wiring 110 A alternator 06-2009 <-
	1	STM9862	Motorbedrading 110 A dynamo 06-2009 ->	Engine wiring 110 A alternator 06-2009 ->
5	1	STM9050	Relais 12V-30A	Relay 12V-30A
6	1	STM9043	Relais 12V-70A	Relay 12V-70A
7	2	CT40075	Bout M5x16	Bolt M5x16
8	4	STM8177	Gegolfde veerring M5	Wave spring washer M5
9	2	STM6159	Zelfborgende moer M5	Nyloc nut M5
10	1	STM4614	ATO steekzekering 10A	ATO fuse 10A
11	1	STM4611	Deksel	Cover
12	1	STM7591	Sticker	Sticker
13	1	STM3066	Klem	Clamp
14	2	STM1705	Moer M5	Nut M5

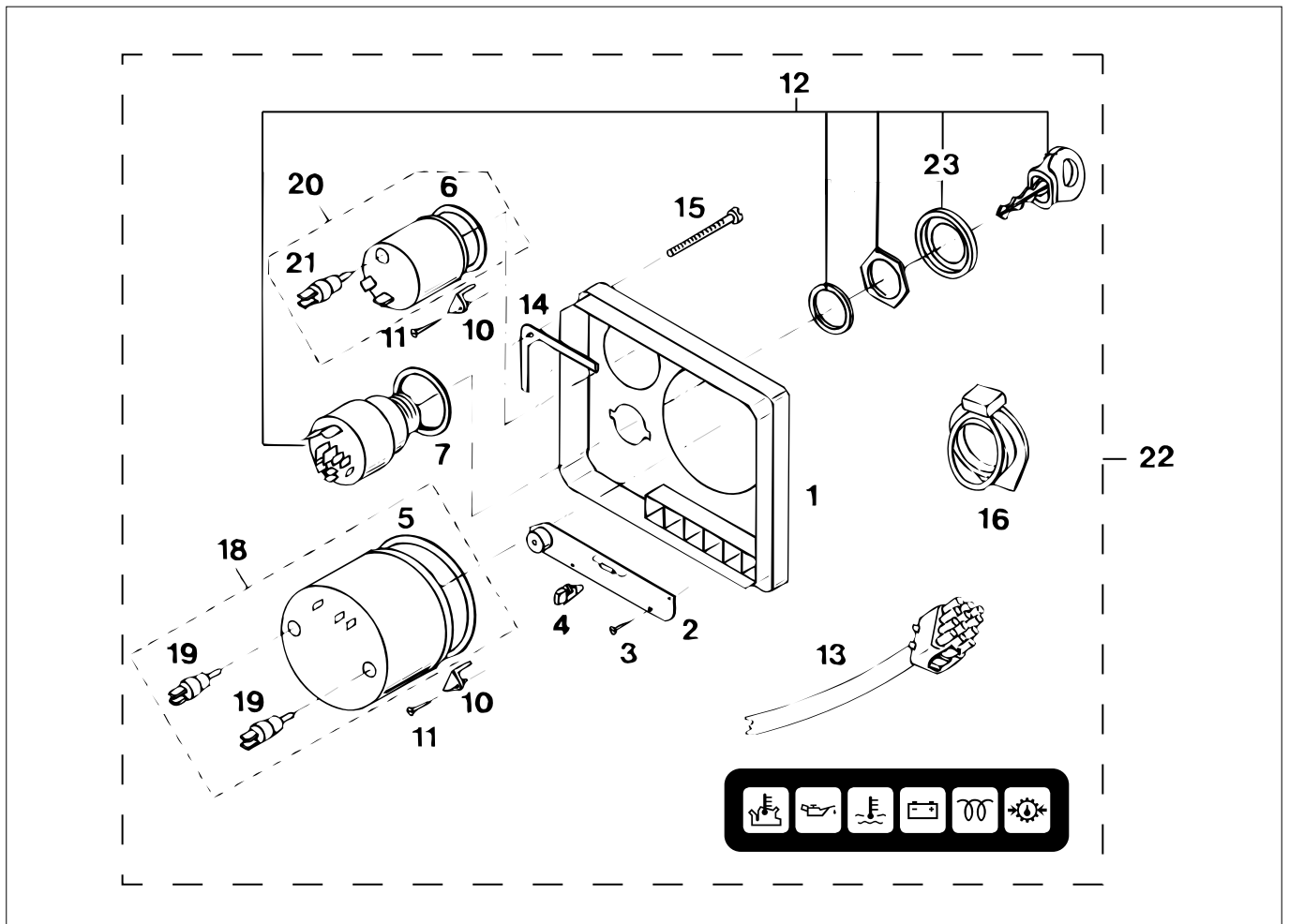


M4.15 M4.17

Instrumenten paneel '20' standaard
2001 <-

Instrument panel '20' standard
2001 <-

pos.	qty	part	benaming	description
1	1	STM9186	Paneel	Panel
2	1	STM9168	Print cpl.	Print cpl.
3	4	P2295RKP	Plaatschroef	Screw
4	6	STM9169	Gloeilamp 12V.	Bulb 12V.
5	1	STM9170	Pakking	Gasket
6	1	STM9171	Pakking	Gasket
7	1	STM9172	Pakking	Gasket
8	1	STM9173	Blindplaat ø98	Blind plate ø98
9	1	STM9174	Blindplaat ø48	Blind plate ø48
10	6	PA6488	Beugel	Support
11	6	P35164RKP	Plaatschroef	Screw
12	1	STM9215	Contactslot + sleutel	Ignition + key
13	1	STM9164	Paneelbedrading	Panel wiring
14	1	STM9180	Pakking	Gasket
15	4	P35254ZKP	Plaatschroef	Screw
16	1	STM9188	Contactslot deksel	Ignition cover
17	1	STM9187	Paneel zonder instrumenten	Panel without instruments
23	1	STM9888	Kap	Cover

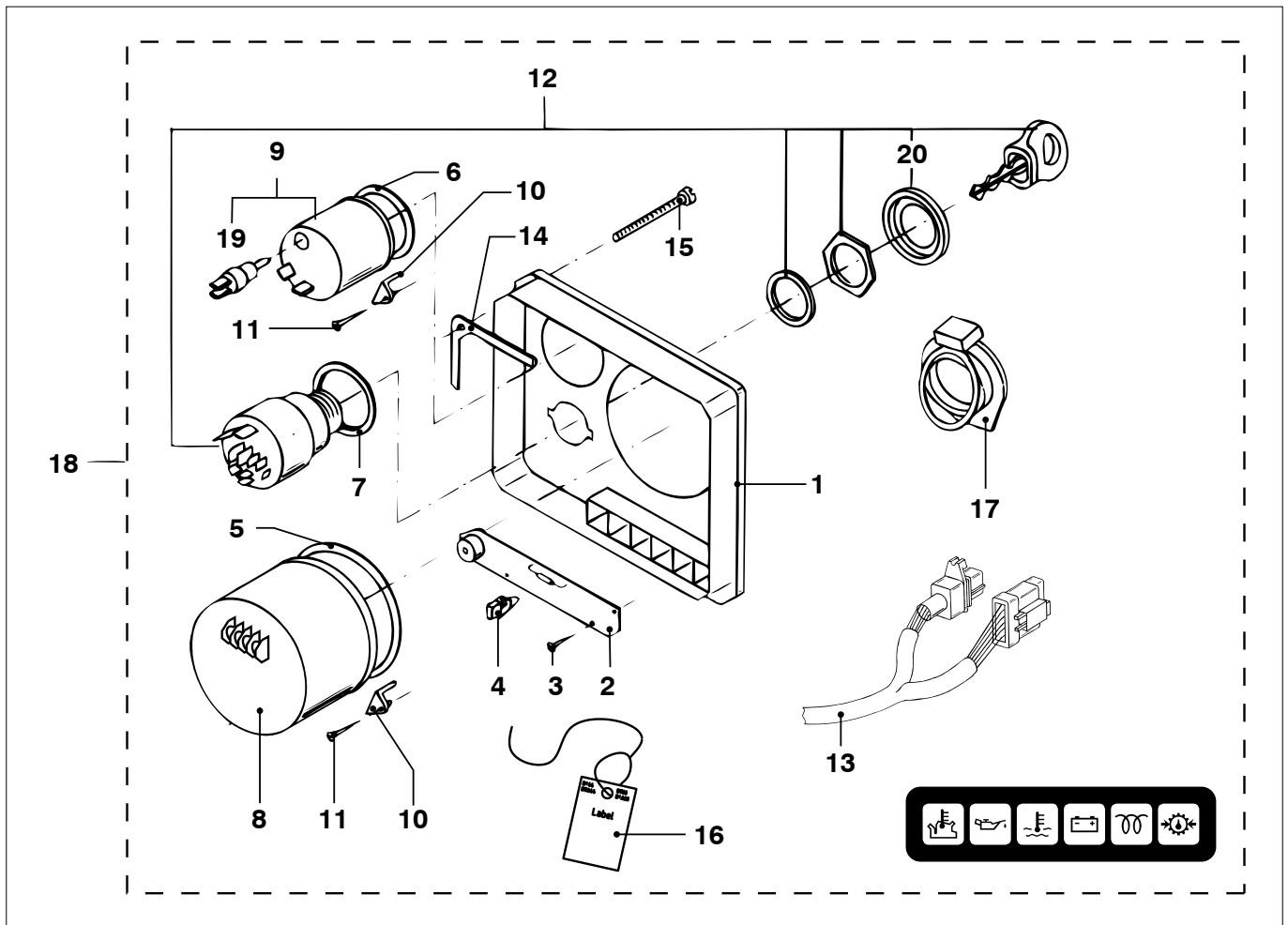


M4.15 M4.17

**Instrumenten paneel '22' standaard
2001 <-**

**Instrument panel '22' standard
2001 <-**

pos.	qty	part	benaming	description
1	1	STM9186	Paneel	Panel
2	1	STM9168	Print cpl.	Print cpl.
3	4	P2295RKP	Plaatschroef	Screw
4	6	STM9169	Gloeilamp 12V.	Bulb 12V.
5	1	STM9170	Pakking	Gasket
6	1	STM9171	Pakking	Gasket
7	1	STM9172	Pakking	Gasket
10	6	PA6488	Beugel	Support
11	6	P35164RKP	Plaatschroef	Screw
12	1	STM9215	Contactslot + sleutel	Ignition + key
13	1	STM9164	Paneelbedrading	Panel wiring
14	1	STM9180	Pakking	Gasket
15	4	P35254ZKP	Plaatschroef	Screw
16	1	STM9188	Contactslot deksel	Ignition cover
18	1	TACHB	Toerenteller 4000rpm	Tacho meter 4000rpm
19	2	CT40131	Gloeilamp 12V.	Bulb 12V.
20	1	STM9177	Voltmeter	Volt meter
21	1	CT40133	Gloeilamp 12V.	Bulb 12V.
22	1	STM9191	Paneel incl.instrumenten	Panel incl.instruments
23	1	STM9888	Kap	Cover

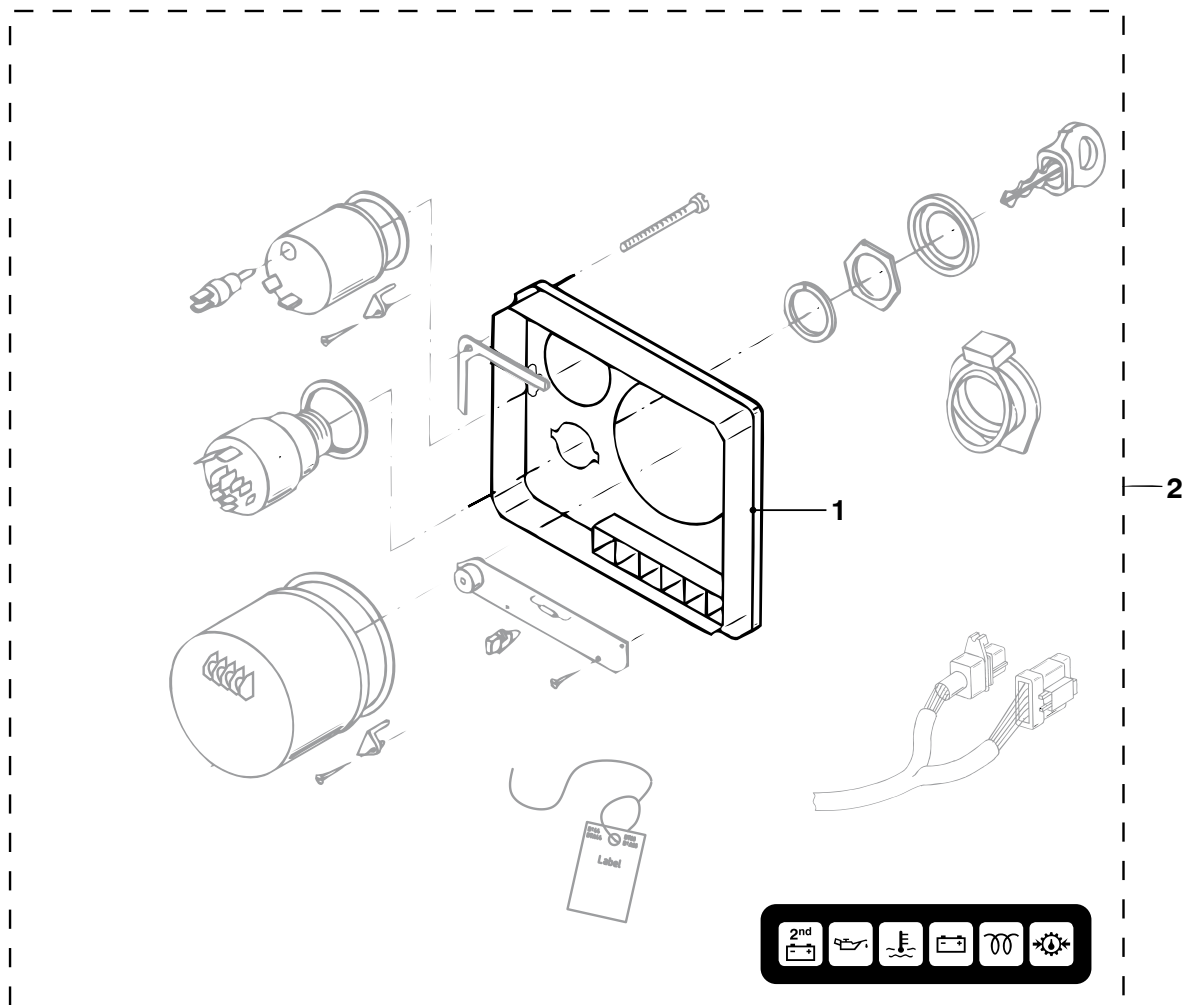


M4.15 M4.17

**Instrumenten paneel '22' standaard
2001 ->**

**Instrument panel '22' standard
2001 ->**

pos.	qty	part	benaming	description
1	1	STM9186	Paneel incl. frontfolie	Panel incl. overlay
2	1	STM6912	Print MP20, 21, 22 cpl. 12 V	PCB MP20, 21, 22 cpl. 12 V
3	4	P2295RKP	Plaatschroef	Screw
4	6	STM9169	Gloeilamp 12 V	Bulb 12 V
5	1	STM9170	Pakking	Gasket
6	1	STM9171	Pakking	Gasket
7	1	STM9172	Pakking	Gasket
8	1	STM9176	Toeren/urenteller, zwart, 0-4000 rpm	Tachometer/hour counter, black, 0-4000 rpm
	1	LNTACHU	Toeren/urenteller, beige, 0-4000 rpm	Tachometer/hour counter, beige, 0-4000 rpm
9	1	STM9177	Voltmeter, zwart, 12 V	Voltmeter, zwart, 12 V
	1	LNVOLT12U	Voltmeter, beige, 12 V	Voltmeter, beige, 12 V
10	6	PA6488	Beugel	Bracket
11	6	P35134RKP	Plaatschroef	Screw
12	1	STM9215	Contactslot + sleutel	Key switch + key
13	1	STM6918	Paneelbedrading	Wiring
14	1	STM9180	Pakking	Gasket
15	4	P35254ZKP	Plaatschroef	Screw
16	1	STM9731	Label 'Afregele toerenteller'	Label 'Adjusting tachometer'
17	1	STM9188	Contactslot deksel	Key switch cover
18	1	MP22BS12A	Instr.paneel cpl. zwarte instr. 0-4000 rpm 12 V	Instr.panel cpl. black instr. 0-4000 rpm 12 V
	1	MP22BN12A	Instr.paneel cpl. beige instr. 0-4000 rpm 12 V	Instr.panel cpl. beige instr. 0-4000 rpm 12 V
19	1	CT40133	Gloeilamp 12 V	Bulb 12 V
20	1	STM9888	Kap	Cover

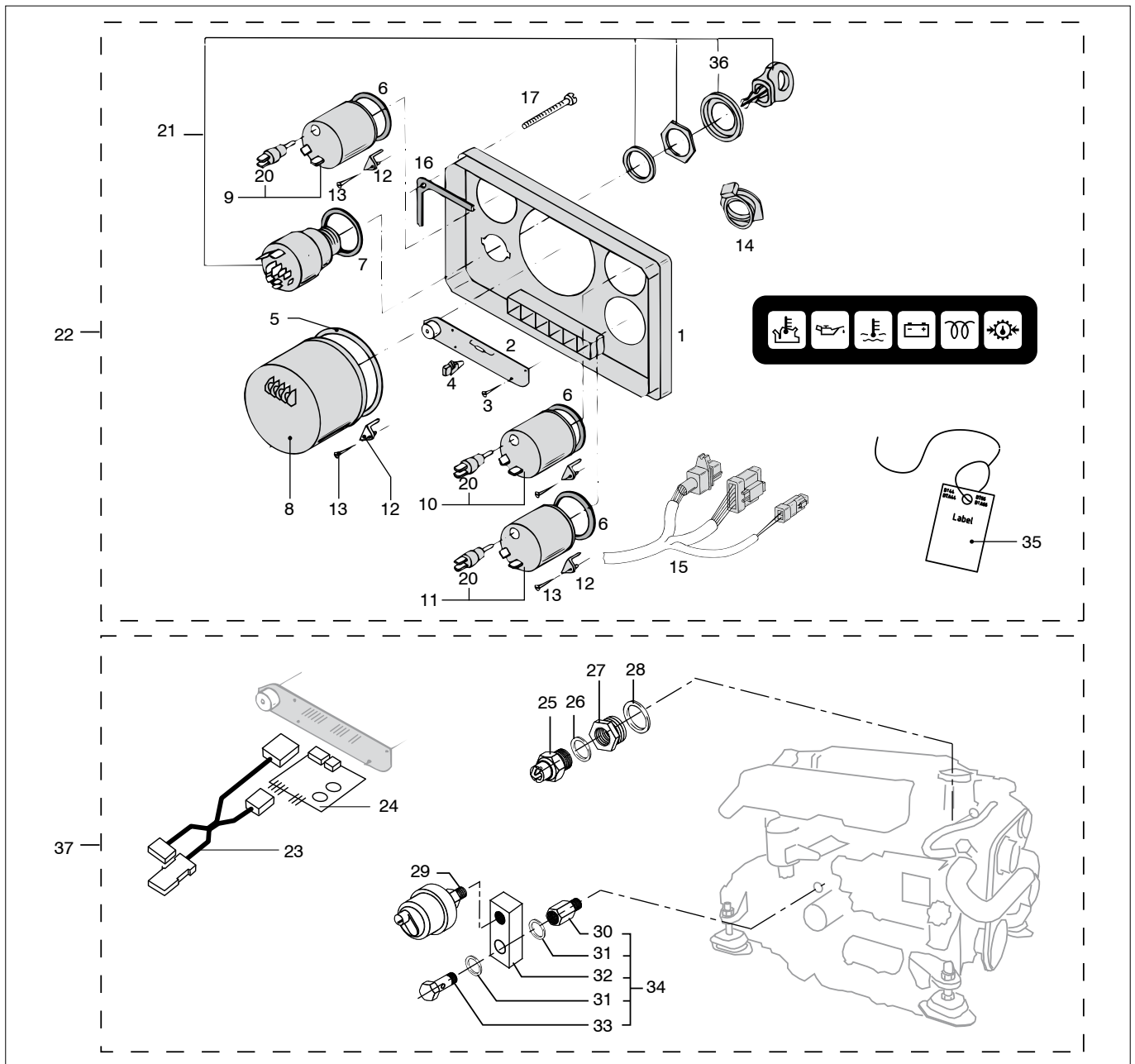


M4.15 M4.17

Instr. paneel model '22' voor motor met 2^e dynamo, kielkoeling

Instr. panel model '22' for engine with 2nd alternator, keelcooling

pos.	qty	part	benaming	description
1	1	STM6993	Paneel incl. fr.folie met 2 x laadcont. symbool	Panel incl. overlay w. 2 x batt.charging symb.
2	1	MP22BS12D	Instr.paneel cpl. zwarte instr. 0-4000 rpm 12 V	Instr.panel cpl. black instr. 0-4000 rpm 12 V
	1	MP22BN12D	Instr.paneel cpl. beige instr. 0-4000 rpm 12 V	Instr.panel cpl. beige instr. 0-4000 rpm 12 V

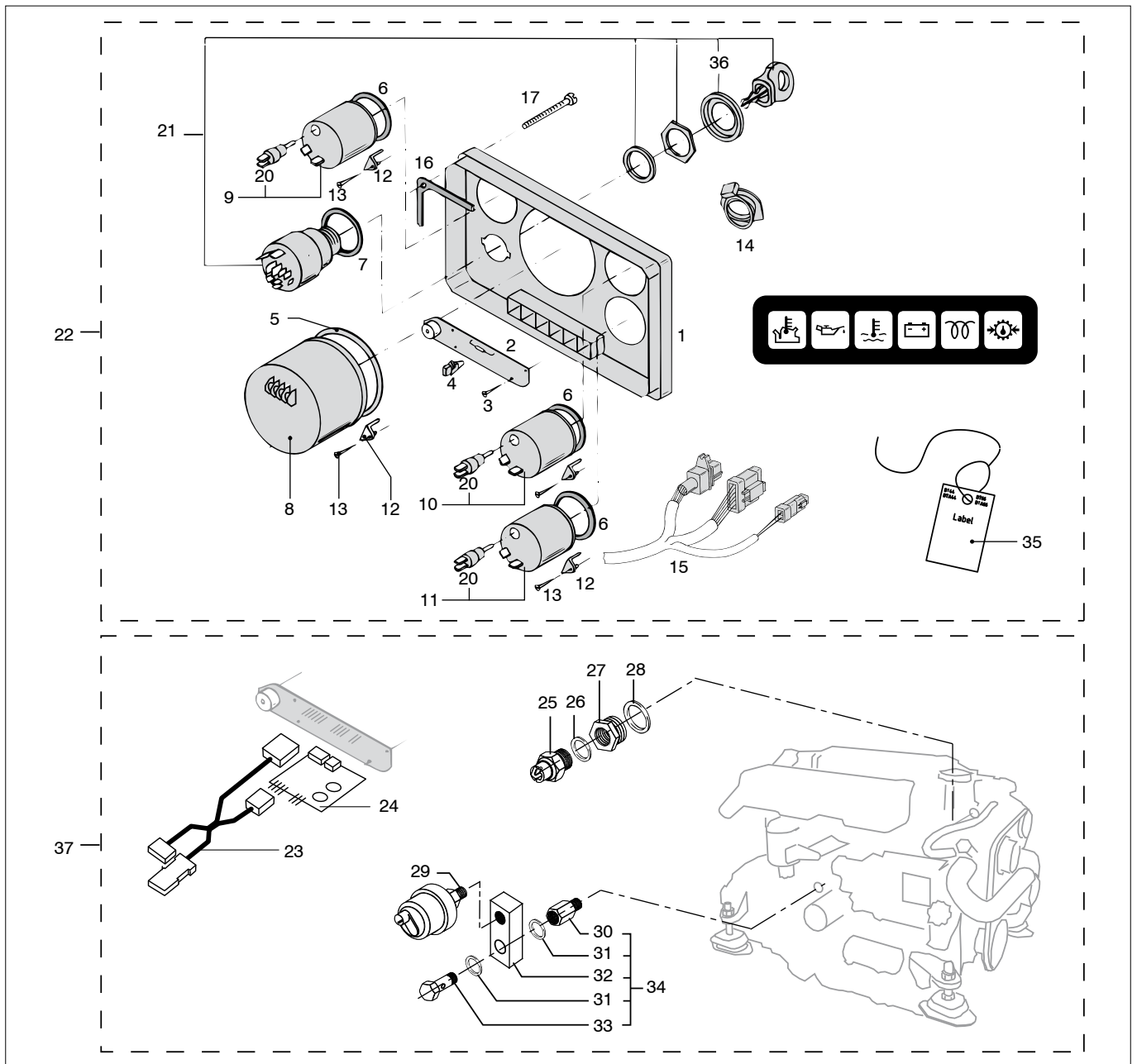


M4.15 M4.17

Instr. paneel model '34'

Instr. panel model '34'

pos.	qty	part	benaming	description
1	1	STM6571	Paneel incl. fr.folie	Panel incl. overlay
2	1	STM6914	Print MP34 cpl. 12 V	PCB MP34 cpl. 12 V
3	4	P2295RKP	Plaatschroef	Screw
4	6	STM9169	Gloeilamp 12 V	Bulb 12 V
5	1	STM9170	Pakking	Gasket
6	3	STM9171	Pakking	Gasket
7	1	STM9172	Pakking	Gasket
8	1	STM9176	Toeren/urenteller, zwart, 0-4000 rpm	Tachometer/hour counter, black, 0-4000 rpm
	1	LNTACHU	Toeren/urenteller, beige, 0-4000 rpm	Tachometer/hour counter, beige, 0-4000 rpm
9	1	STM9177	Voltmeter, zwart, 12 V	Voltmeter, black, 12 V
	1	LNVOLT12U	Voltmeter, beige, 12 V	Voltmeter, beige, 12 V
10	1	STM9178	Temperatuurmeter, zwart, 40-120°C 12 V	Temperature gauge, black, 40-120°C, 12 V
	1	LNTEMP12U	Temperatuurmeter, beige, 40-120°C 12 V	Temperature gauge, beige, 40-120°C, 12 V
11	1	STM9179	Oliedrukmeter, zwart, 0-8 bar, 12 V	Oil pressure gauge, black, 0-8 bar, 12 V
	1	LNOIL12U	Oliedrukmeter, beige, 0-8 bar, 12 V	Oil pressure gauge, beige, 0-8 bar, 12 V
12	6	PA6488	Beugel	Bracket

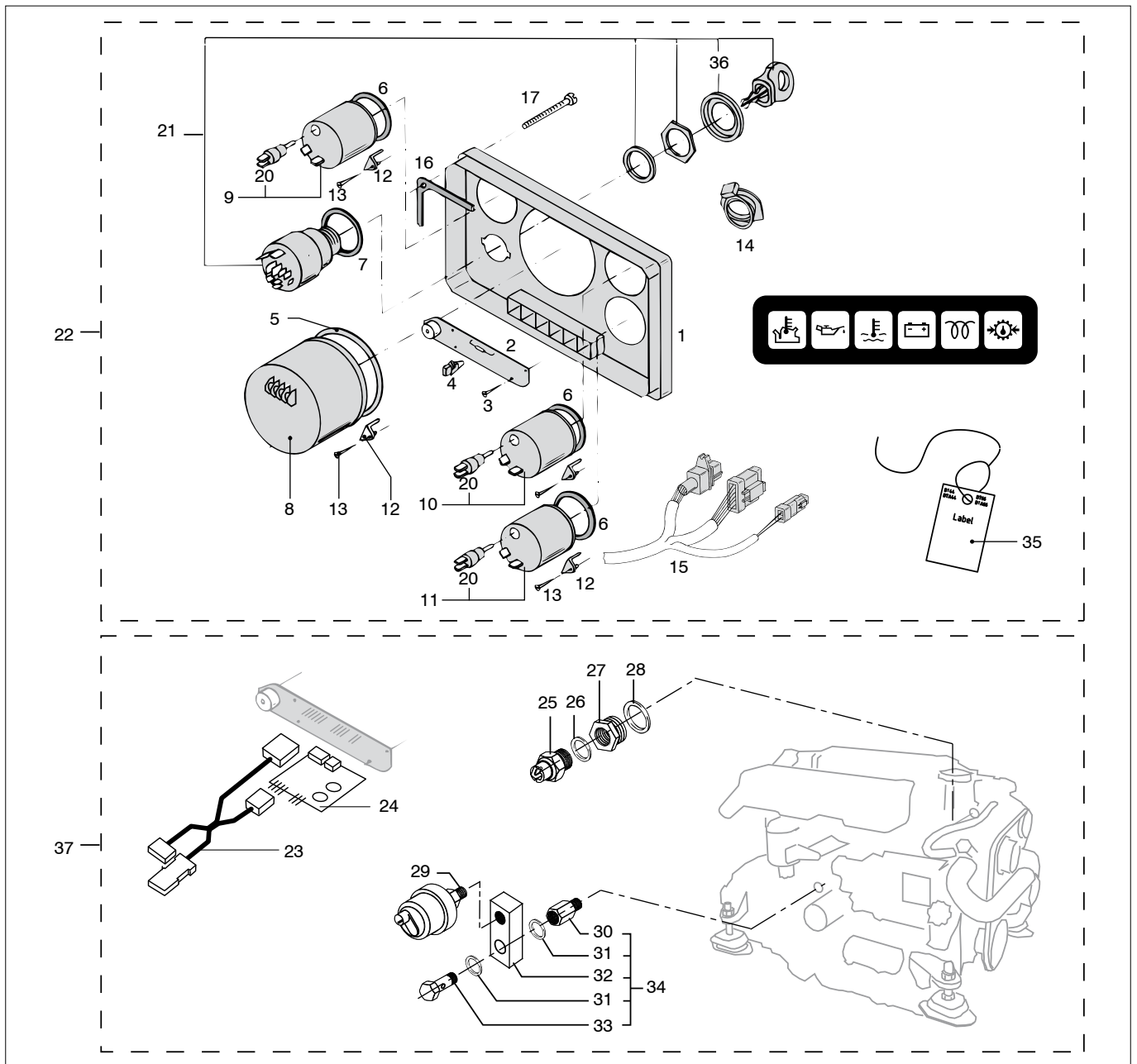


M4.15 M4.17

Instr. paneel model '34'

Instr. panel model '34'

pos.	qty	part	benaming	description
13	6	P35134RKP	Plaatschroef	Screw
14	1	STM9188	Contactslot deksel	Key switch cover
15	1	STM6918	Paneelbedrading	Wiring
16	1	STM9181	Pakking	Gasket
17	4	P35254ZKP	Plaatschroef	Screw
18	2	CT40131	Gloeilamp 12 V	Bulb 12 V
20	1	CT40133	Gloeilamp 12 V	Bulb 12 V
21	1	STM9215	Contactslot + sleutel	Key switch + key
22	1	MP34BS12A	Instr.paneel cpl. zwarte instr. 0-4000 rpm 12 V	Instr.panel cpl. black instr. 0-4000 rpm 12 V
	1	MP34BN12A	Instr.paneel cpl. beige instr. 0-4000 rpm 12 V	Instr.panel cpl. beige instr. 0-4000 rpm 12 V
23	1	STM6955	Verloopkabel (MPVB2)	Cable (MPVB2)
24	1	STM6911	Interface	Interface
25	1	STM8326	Binnenwater temperatuur zender M14x1,5 12-24 V 40-120°C	Temp. sender coolant M14x1,5 12-24 V 40-120°C
26	1	STM1062	Afdichtring	Seal

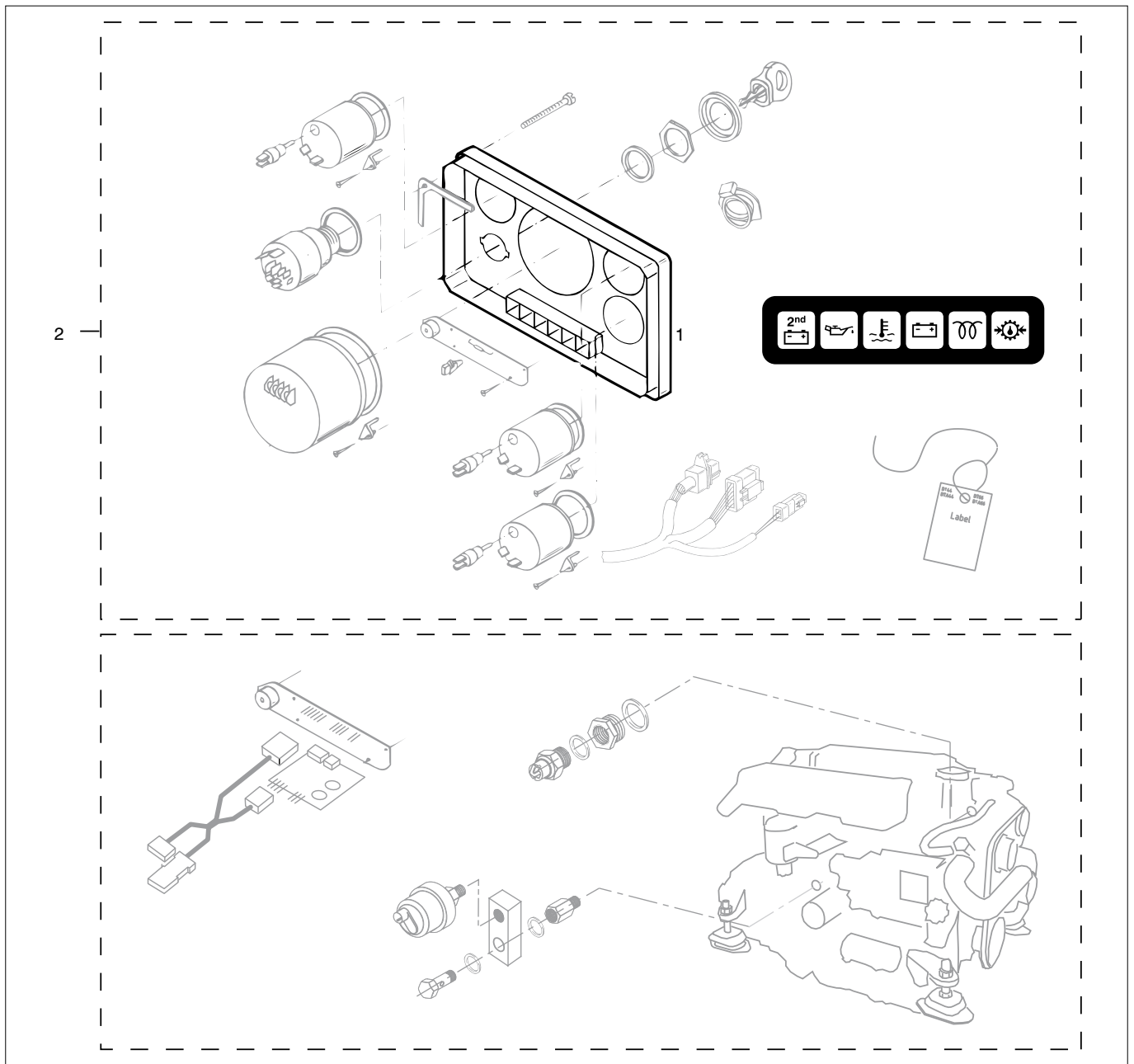


M4.15 M4.17

Instr. paneel model '34'

Instr. panel model '34'

pos.	qty	part	benaming	description
27	1	AD14-16	Verloop	Adaptor
28	1	STM6269	Afdichtring	Seal
29	1	CT40083	Oliedruksender	Sender oil pressure
30	1	STM6341	Verloop	Adaptor
31	2	STM2018	Afdichtring	Seal
32	1	STM7580	Verloopblok	Adaptor block
33	1	STM7582	Holbout	Hollow bolt
34	1	STM7581	Verloopset	Adaptor set
35	1	STM9731	Label 'Afregele toerenteller'	Lable 'Adjusting tachometer'
36	1	STM9888	Kap	Cover
37	1	STM6961	Set uitgebreid paneel	Set extended panel



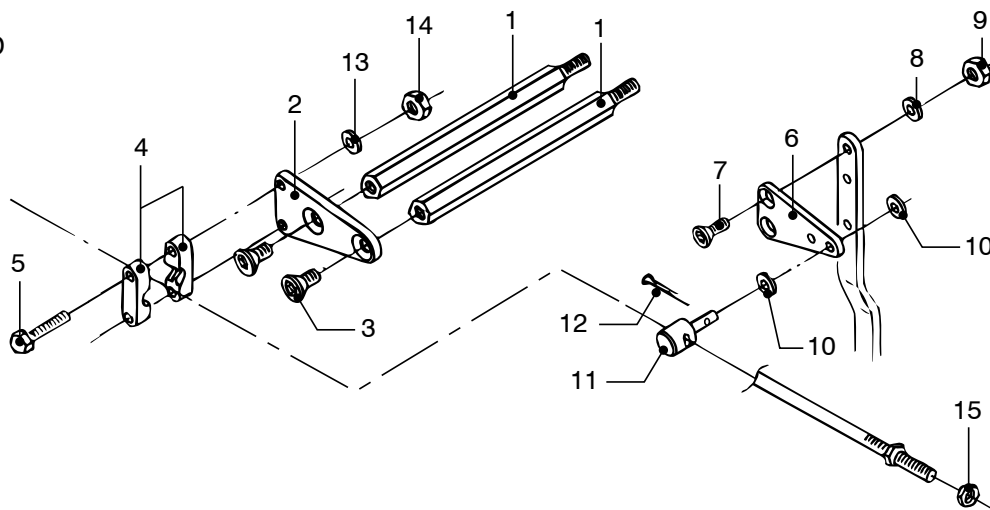
M4.15 M4.17

Instr. paneel model '34' voor motor met 2^e dynamo, kielkoeling

Instr. panel model '34' for engine with 2nd alternator, keelcooling

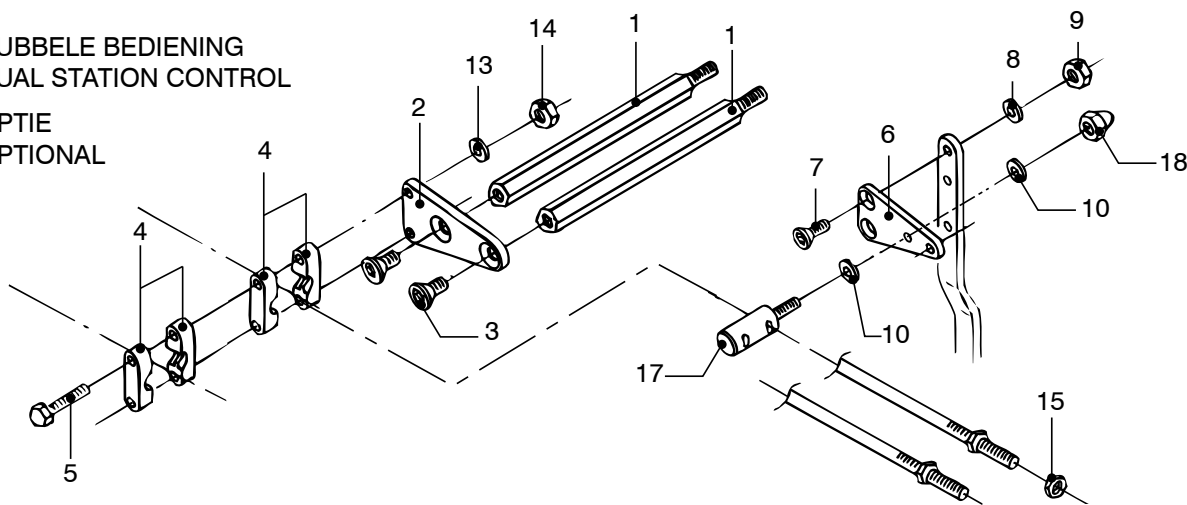
pos.	qty	part	benaming	description
1	1	STM6994	Paneel incl. fr.folie met 2 x laadcont. symbool	Panel incl. overlay w. 2 x batt.charging symb.
2	1	MP34BS12D	Instr.paneel cpl. zwarte instr. 0-4000 rpm 12 V	Instr.panel cpl. black instr. 0-4000 rpm 12 V
	1	MP34BN12D	Instr.paneel cpl. beige instr. 0-4000 rpm 12 V	Instr.panel cpl. beige instr. 0-4000 rpm 12 V

STANDAARD
STANDARD



DUBBELE BEDIENING
DUAL STATION CONTROL

OPTIE
OPTIONAL

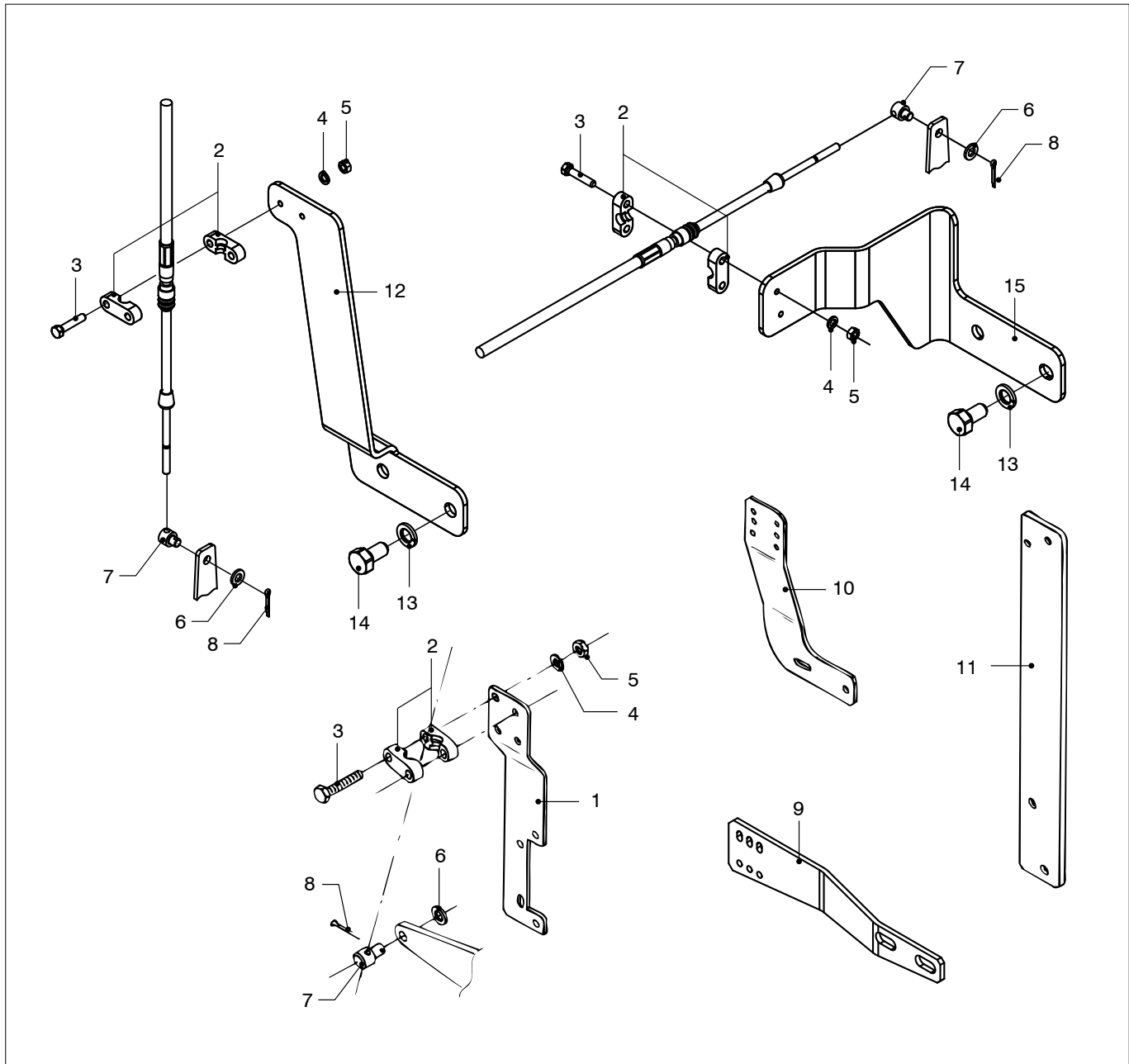


M4.15 M4.17

Bediening, GAS

Controls, THROTTLE

pos.	qty	part	benaming	description
1	2	STM8255	Afstandshouder l=126	Spacer l=126
2	1	STM7567	Bevestigingssteun	Support
3	2	STM7593	Schroef M8x6	Screw M8x6
4	1	STM1703	Kabelklem (standaard)	Cabel clamp (standard)
	2	STM1703	Kabelklem (optie)	Cabel clamp (optional)
5	2	STM1704	Bout M5x25 (standaard)	Bolt M5x25 (standard)
6	1	STM7577	Hefboom	Lever
7	2	STM7594	Schroef M6x16	Screw M6x16
8	2	STM1025	Gegolfde veerring M6	Wave spring washer M6
9	2	STM8569	Moer M6	Nut M6
10	2	STM1807	Ring M6	Washer M6
11	1	STM1806	Kabelnippel (standaard)	Cable nipple (standard)
12	1	STM1808	Splitpen 2x25 (standaard)	Split pin 2x25 (standard)
13	4	STM1707	Ring M5	Washer M5
14	4	STM1705	Moer M5	Nut M5
15	1	STM6568	Moer 10-32UNF (optie)	Nut 10-32UNF (optional)
16	2	STM1907	Bout M5x40 (optie)	Bolt M5x40 (optional)
17	1	STM1902	Gaskabel nippel (optie)	Throttle nipple (optional)
18	1	STM8129	Zelfborgende moer M6 (optie)	Nyloc nut M6 (optional)

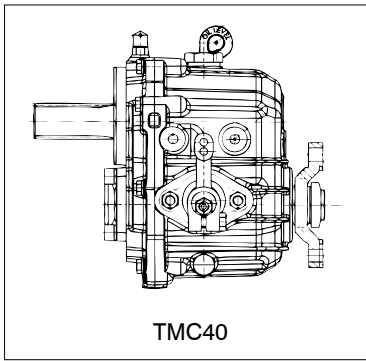


M4.15 M4.17

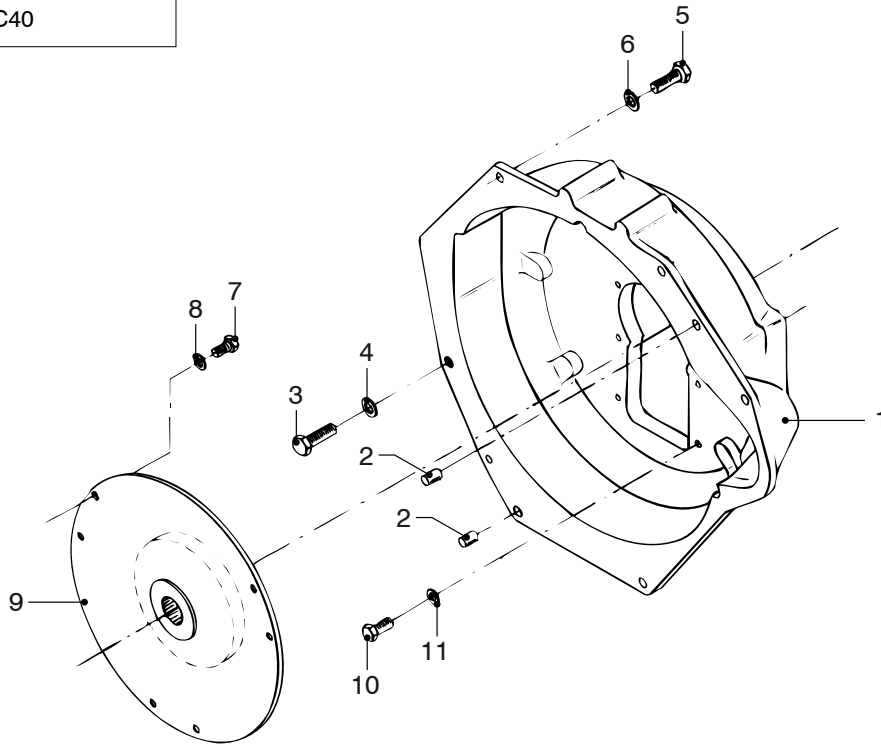
Bediening, KEERKOPPELING

Controls, GEARBOX

pos.	qty	part	benaming	description
1	1	STM1581	Steun ZF10M/12M/15M	Support ZF10M/12M/15M
2	1	STM1703	Kabelklem	Cable clamp
3	2	STM1704	Bout M5x25	Bolt M5x25
4	4	STM1707	Ring M5	Washer M5
5	4	STM1705	Moer M5	Nut M5
6	2	STM1807	Ring M6	Washer M6
7	1	STM1806	Kabelnippel	Cable nipple
8	1	STM1808	Splitpen 2x25	Split pin 2x25
9	1	STM6238	Steun TMC40/TM345	Support TMC10/TM345
10	1	STM6239	Steun TMC60	Support TMC60
11	1	STM6425	Steun ZF12	Support ZF12
12	1	STM9750	Steun ZF25 vertikaal (optie)	Support ZF25 vertical (optional)
13	2	STM4014	Veerring M10	Spring washer M10
14	2	STM9765	Bout 3/8UNCx3/4	Bolt 3/8UNCx3/4
15	1	STM9742	Steun ZF25 horizontaal (standaard)	Support horizontal (standard)



TMC40

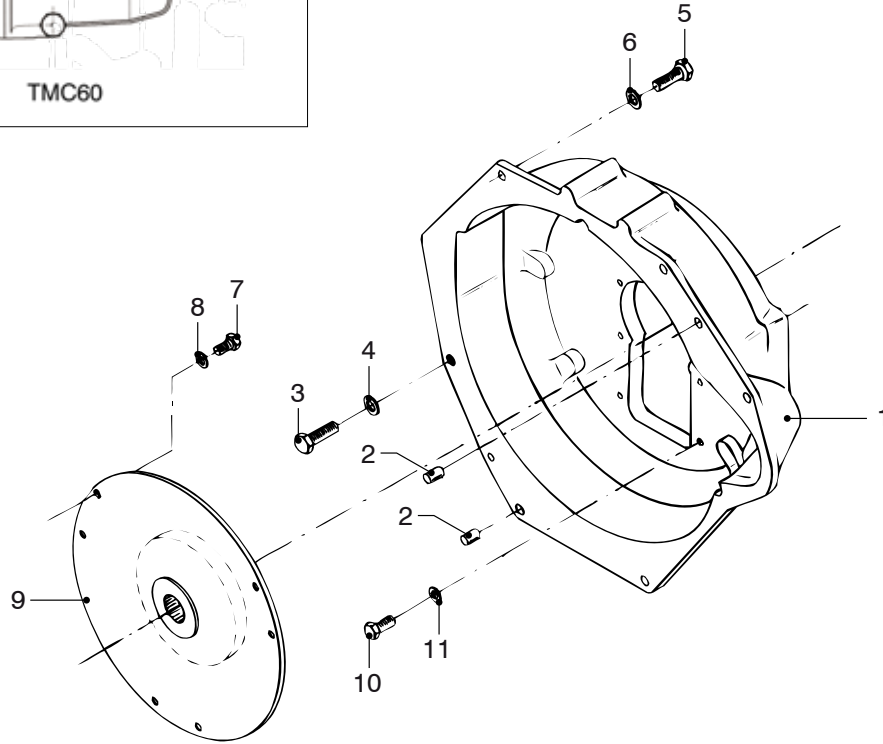
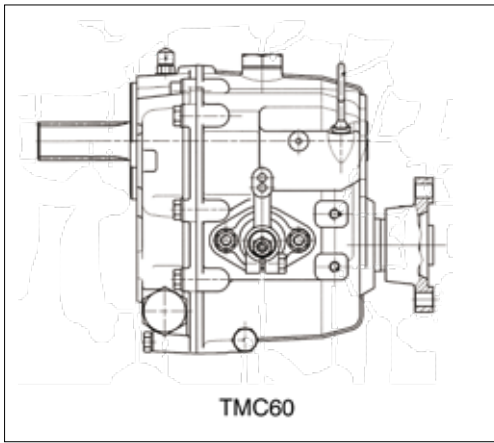


M4.15

Vliegwielhuis TMC40

Flywheel housing TMC40

pos.	qty	part	benaming	description
1	1	STM7566	Vliegwielhuis Ø88	Flywheel housing Ø88
2	2	STM3813	Paspen 10x12 DIN7	Pin 10x12 DIN7
3	1	STM7053	Bout M12x1,25x30	Bolt M12x1.25x30
4	1	STM4003	Veerring M12	Spring washer M12
5	4	STM7053	Bout M12x1,25x30	Bolt M12x1.25x30
6	4	STM4056	Gegolfde veerring M12	Wave spring washer M12
7	6	STM4055	Bout M8x1,25x16	Bolt M8x1.25x16
8	6	STM1019	Gegolfde veerring M8	Wave spring washer M8
9	1	STM4054	Demperplaat DIN splines z=10, interkoel	Damperplate DIN splines z=10, intercooled
	1	STM4032	Demperplaat DIN splines z=10, kielkoel	Damperplate DIN splines z=10, keelcooled
10	6	STM1610	Bout M8x1,25x25 TMC40	Bolt M8x1.25x25 TMC40
	6	STM1610	Bout M8x1,25x25 TMC40M	Bolt M8x1.25x25 TMC40M
	6	STM1610	Bout M8x1,25x25 TMC40P	Bolt M8x1.25x25 TMC40P
11	6	STM1019	Gegolfde veerring M8	Spring washer M8

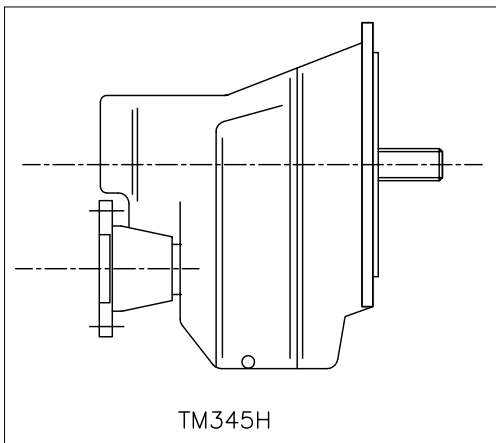


M4.15

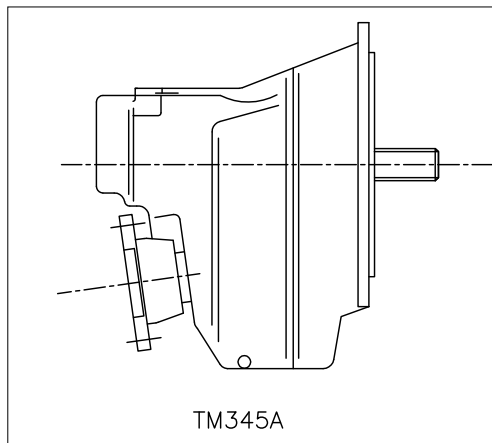
Vliegwielhuis TMC60

Flywheel housing TMC60

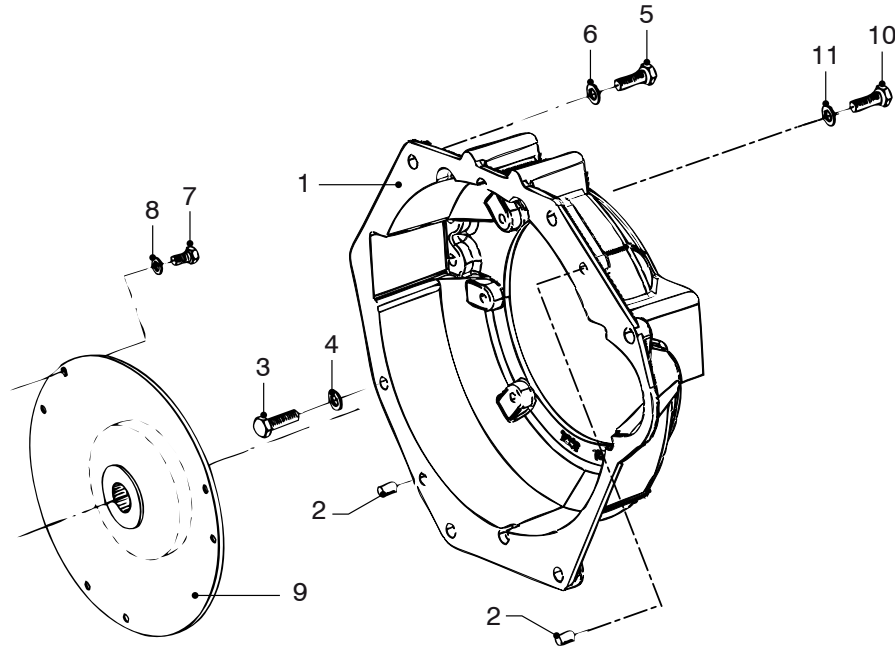
pos.	qty	part	benaming	description
1	1	STM7566	Vliegwielhuis Ø88	Flywheel housing Ø88
2	2	STM3813	Paspen 10x12 DIN7	Pin 10x12 DIN7
3	1	STM7053	Bout M12x1,25x30	Bolt M12x1.25x30
4	1	STM4003	Veerring M12	Spring washer M12
5	4	STM7053	Bout M12x1,25x30	Bolt M12x1.25x30
6	4	STM4056	Gegolfde veerring M12	Wave spring washer M12
7	6	STM4055	Bout M8x1,25x16	Bolt M8x1.25x16
8	6	STM1019	Gegolfde veerring M8	Wave spring washer M8
9	1	STM4054	Demperplaat DIN splines z=10, interkoel	Damperplate DIN splines z=10, intercooled
	1	STM4032	Demperplaat DIN splines z=10, kielkoel	Damperplate DIN splines z=10, keelcooled
10	6	STM7059	Bout M8x1,25x30 TMC60	Bolt M8x1.25x30 TMC60
	6	STM1610	Bout M8x1,25x25 TMC60M	Bolt M8x1.25x25 TMC60M
	6	STM7059	Bout M8x1,25x30 TMC60e	Bolt M8x1.25x30 TMC60E
11	6	STM1019	Gegolfde veerring M8	Spring washer M8



TM345H



TM345A

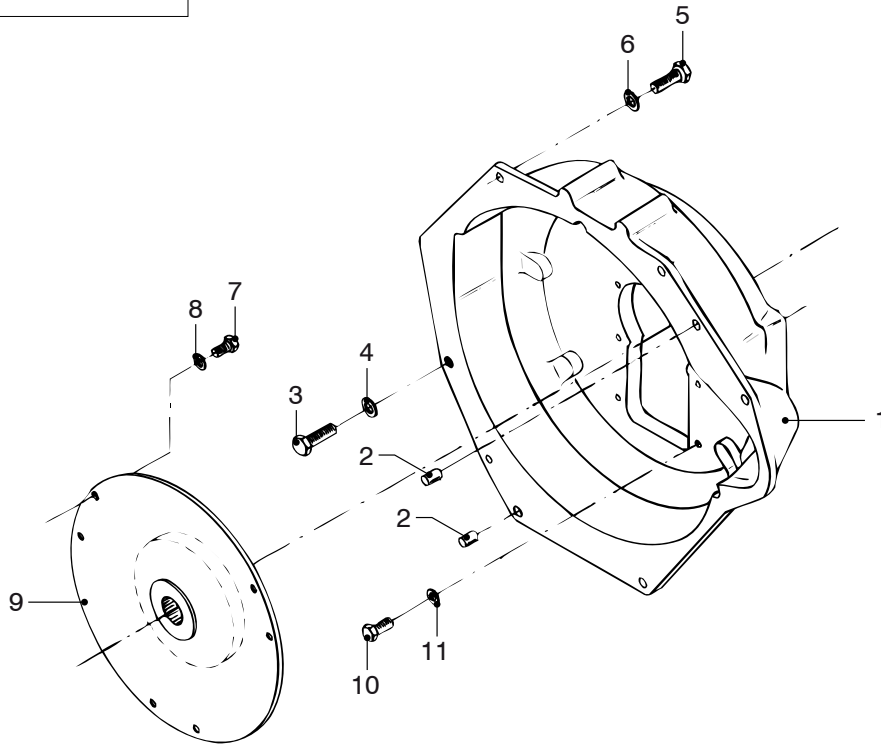
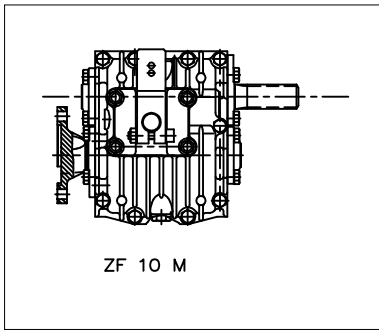


M4.15

Vliegwielhuis TM345H (A)

Flywheel housing TM345H (A)

pos.	qty	part	benaming	description
1	1	STM7567	Vliegwielhuis SAE7 ø 209,55	Flywheel housing SAE7 ø 209,55
2	2	STM3813	Paspen 10x12 DIN7	Pin 10x12 DIN7
3	1	STM7053	Bout M12x1,25x30	Bolt M12x1.25x30
4	1	STM4003	Veerring M12	Spring washer M12
5	4	STM7053	Bout M12x1,25x30	Bolt M12x1.25x30
6	4	STM4056	Gegolfde veerring M12	Wave spring washer M12
7	6	STM4055	Bout M8x1,25x16	Bolt M8x1.25x16
8	6	STM1056	Veerring M8	Spring washer M8
9	1	STM7609	Demperplaat sae splines z=26	Damperplate sae splines z=26
10	6	STM9003	Bout M10x25	Bolt M10x25
11	6	STM4003	Gegolfde veerring M10	Wave spring washer M10

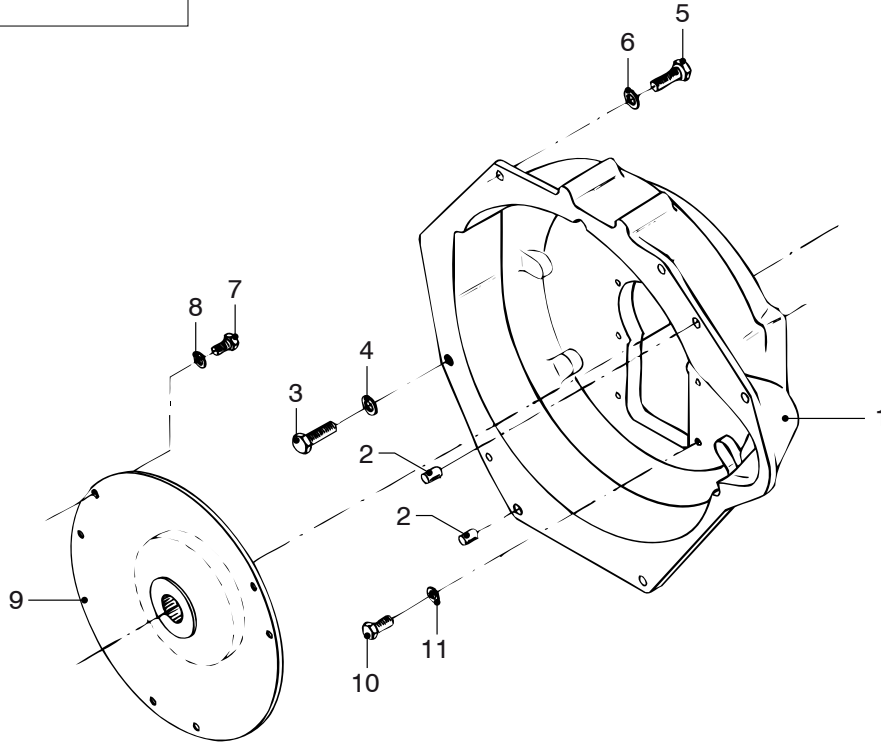
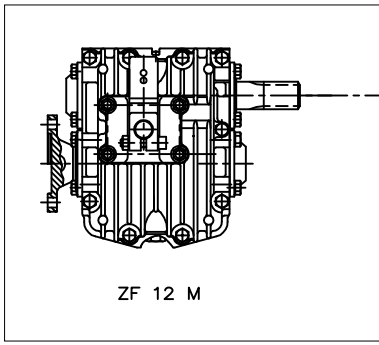


M4.15

Vliegwielhuis ZF10M

Flywheel housing ZF10M

pos.	qty	part	benaming	description
1	1	STM7566	Vliegwielhuis Ø88	Flywheel housing Ø88
2	2	STM3813	Paspen 10x12 DIN7	Pin 10x12 DIN7
3	1	STM7053	Bout M12x1,25x30	Bolt M12x1.25x30
4	1	STM4003	Veerring M12	Spring washer M12
5	4	STM7053	Bout M12x1,25x30	Bolt M12x1.25x30
6	4	STM4056	Gegolfde veerring M12	Wave spring washer M12
7	6	STM4055	Bout M8x1,25x16	Bolt M8x1.25x16
8	6	STM1056	Veerring M8	Spring washer M8
9	1	STM4054	Demperplaat DIN splines z=10	Damperplate DIN splines z=10
10	6	STM1610	Bout M8x1,25x25	Bolt M8x1.25x25
11	6	STM1019	Gegolfde veerring M8	Spring washer M8

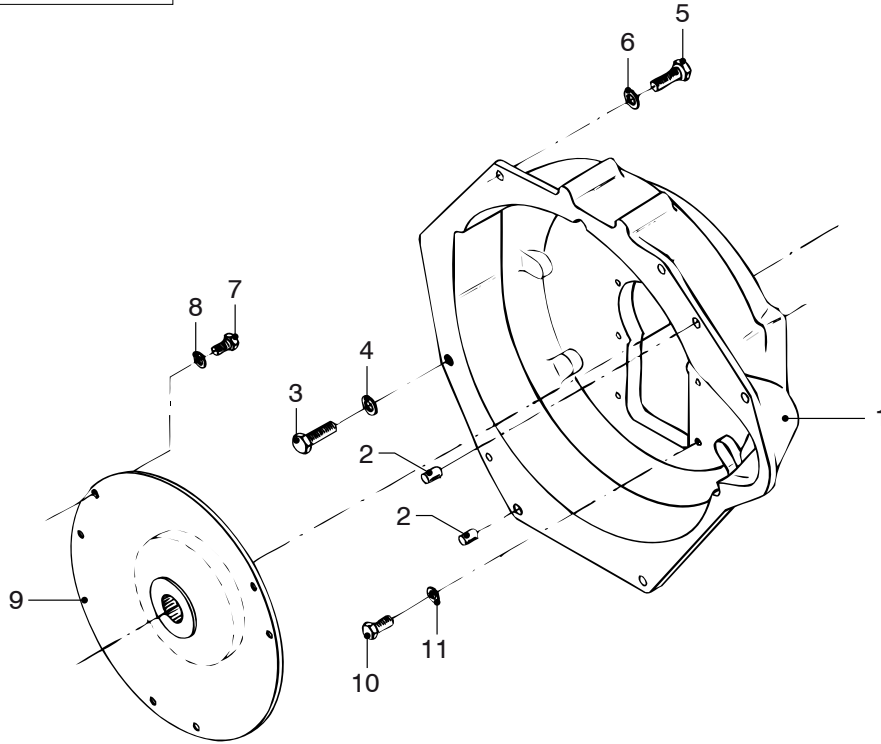
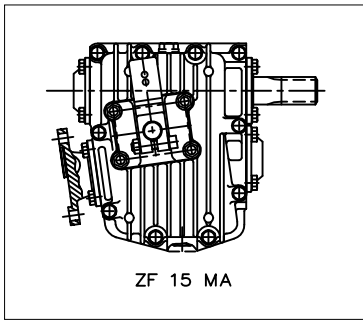


M4.15

Vliegwielhuis ZF12M

Flywheel housing ZF12M

pos.	qty	part	benaming	description
1	1	STM7566	Vliegwielhuis Ø88	Flywheel housing Ø88
2	2	STM3813	Paspen 10x12 DIN7	Pin 10x12 DIN7
3	1	STM7053	Bout M12x1,25x30	Bolt M12x1.25x30
4	1	STM4003	Veerring M12	Spring washer M12
5	4	STM7053	Bout M12x1,25x30	Bolt M12x1.25x30
6	4	STM4056	Gegolfde veerring M12	Wave spring washer M12
7	6	STM4055	Bout M8x1,25x16	Bolt M8x1.25x16
8	6	STM1056	Veerring M8	Spring washer M8
9	1	STM4054	Demperplaat DIN splines z=10	Damperplate DIN splines z=10
10	6	STM1610	Bout M8x1,25x25	Bolt M8x1.25x25
11	6	STM1019	Gegolfde veerring M8	Spring washer M8

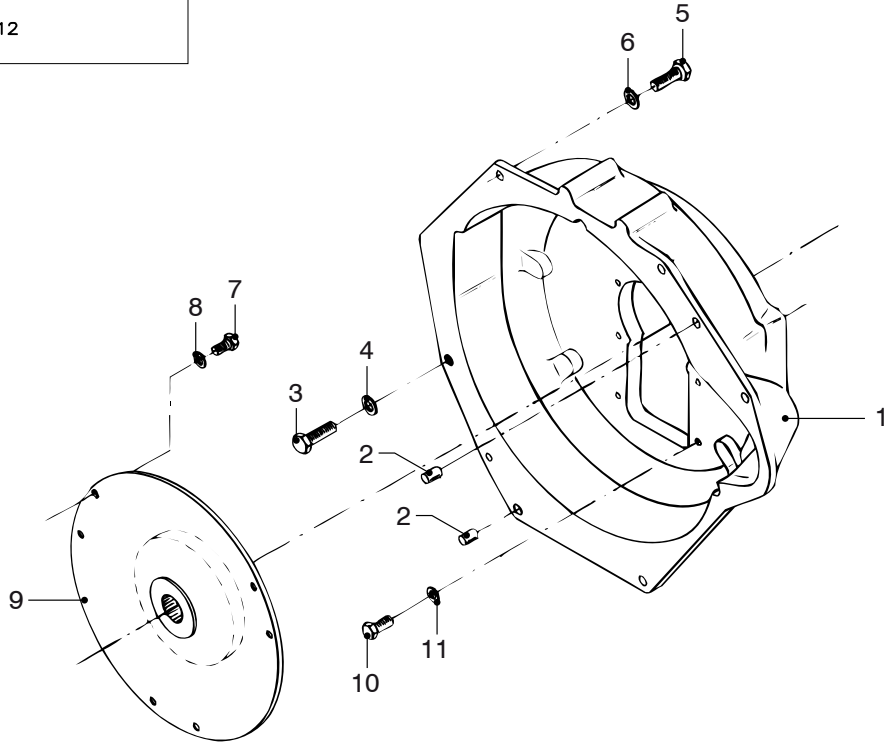
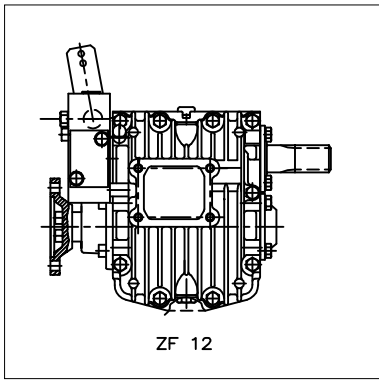


M4.15

Vliegwielhuis ZF15MA

Flywheel housing ZF15MA

pos.	qty	part	benaming	description
1	1	STM7566	Vliegwielhuis Ø88	Flywheel housing Ø88
2	2	STM3813	Paspen 10x12 DIN7	Pin 10x12 DIN7
3	1	STM7053	Bout M12x1,25x30	Bolt M12x1.25x30
4	1	STM4003	Veerring M12	Spring washer M12
5	4	STM7053	Bout M12x1,25x30	Bolt M12x1.25x30
6	4	STM4056	Gegolfde veerring M12	Wave spring washer M12
7	6	STM4055	Bout M8x1,25x16	Bolt M8x1.25x16
8	6	STM1056	Veerring M8	Spring washer M8
9	1	STM4054	Demperplaat DIN splines z=10	Damperplate DIN splines z=10
10	6	STM1610	Bout M8x1,25x25	Bolt M8x1.25x25
11	6	STM1019	Gegolfde veerring M8	Spring washer M8

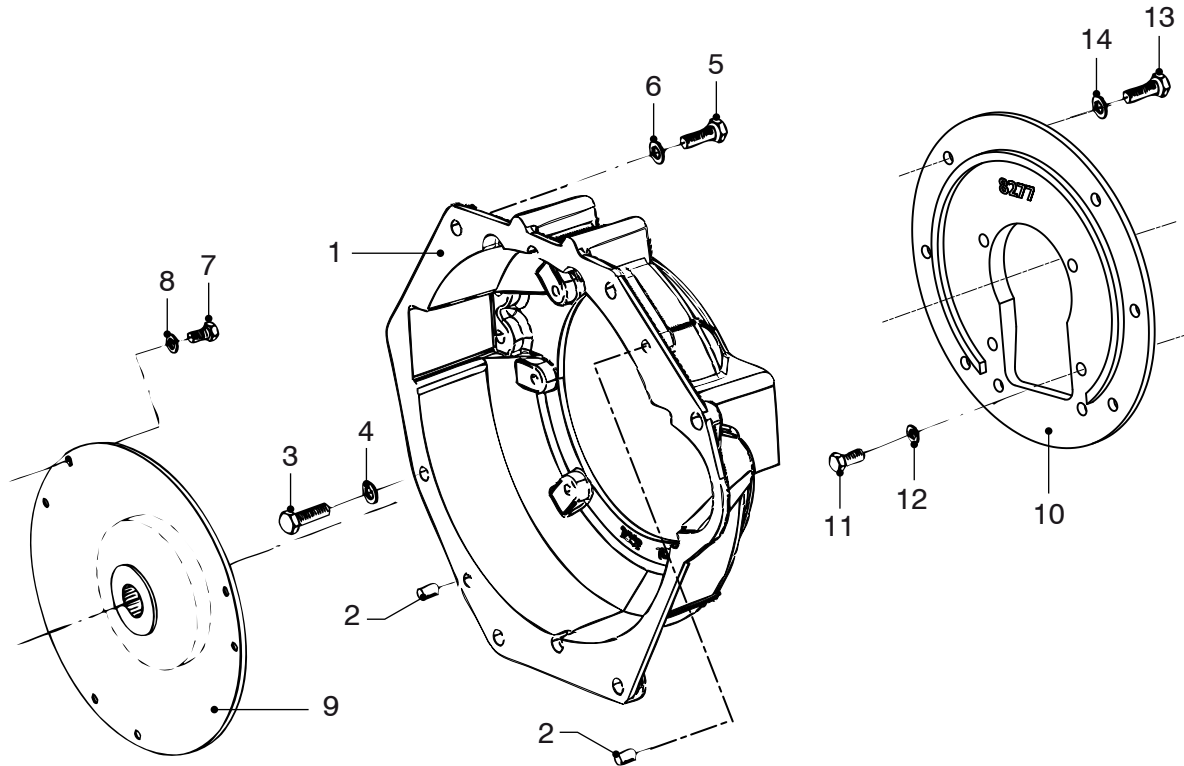
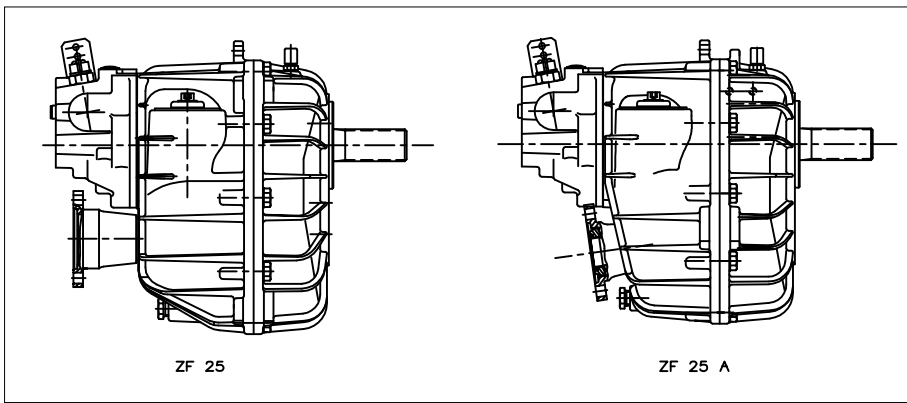


M4.15

Vliegwielhuis ZF12

Flywheel housing ZF12

pos.	qty	part	benaming	description
1	1	STM7566	Vliegwielhuis Ø88	Flywheel housing Ø88
2	2	STM3813	Paspen 10x12 DIN7	Pin 10x12 DIN7
3	1	STM7053	Bout M12x1,25x30	Bolt M12x1.25x30
4	1	STM4003	Veerring M12	Spring washer M12
5	4	STM7053	Bout M12x1,25x30	Bolt M12x1.25x30
6	4	STM4056	Gegolfde veerring M12	Wave spring washer M12
7	6	STM4055	Bout M8x1,25x16	Bolt M8x1.25x16
8	6	STM1056	Veerring M8	Spring washer M8
9	1	STM4031	Demperplaat DIN splines z=10	Damperplate DIN splines z=10
10	6	STM1610	Bout M8x1,25x25	Bolt M8x1.25x25
11	6	STM1019	Gegolfde veerring M8	Spring washer M8

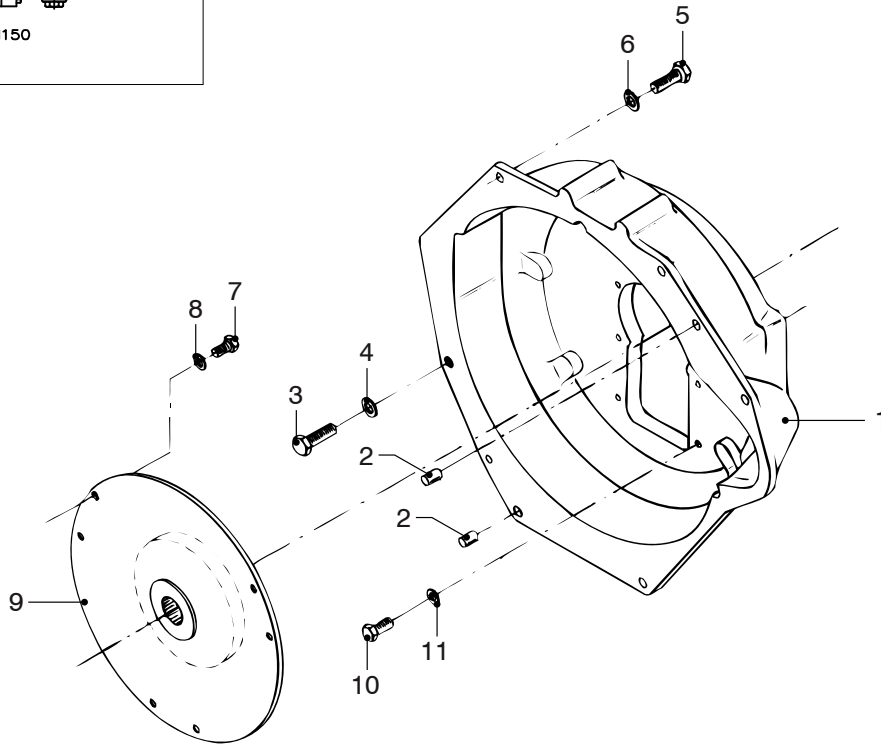
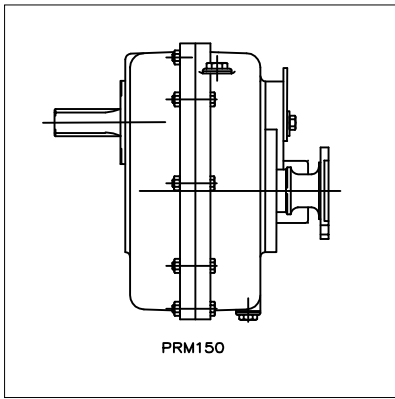


M4.15

Vliegwielhuis ZF25 (A)

Flywheel housing ZF25 (A)

pos.	qty	part	benaming	description
1	1	STM7567	Vliegwielhuis SAE7 Ø209,55	Flywheel housing SAE 209,55
2	2	STM3813	Paspen 10x12 DIN7	Pin 10x12 DIN7
3	1	STM7053	Bout M12x1,25x30	Bolt M12x1.25x30
4	1	STM4003	Veerring M12	Spring washer M12
5	4	STM7053	Bout M12x1,25x30	Bolt M12x1.25x30
6	4	STM4056	Gegolfde veerring M12	Wave spring washer M12
7	6	STM4055	Bout M8x1,25x16	Bolt M8x1.25x16
8	6	STM1056	Veerring M8	Spring washer M8
9	1	STM7609	Demperplaat sae splines z=26	Damperplate sae splines z=26
10	1	STM8277	Adapterplaat SAE7 -> Ø92	Adapter plate SAE7 -> Ø92
11	6	STM9003	Bout M10x1,5x25	Bolt M10x1.5x25
12	6	STM4003	Gegolfde veerring M10	Wave spring washer M10
13	6	STM9003	Bout M10x25	Bolt M10x25
14	6	STM4003	Gegolfde veerring M10	Wave spring washer M10

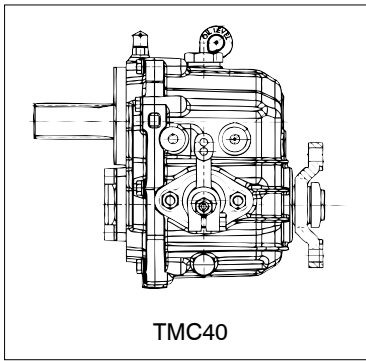


M4.15

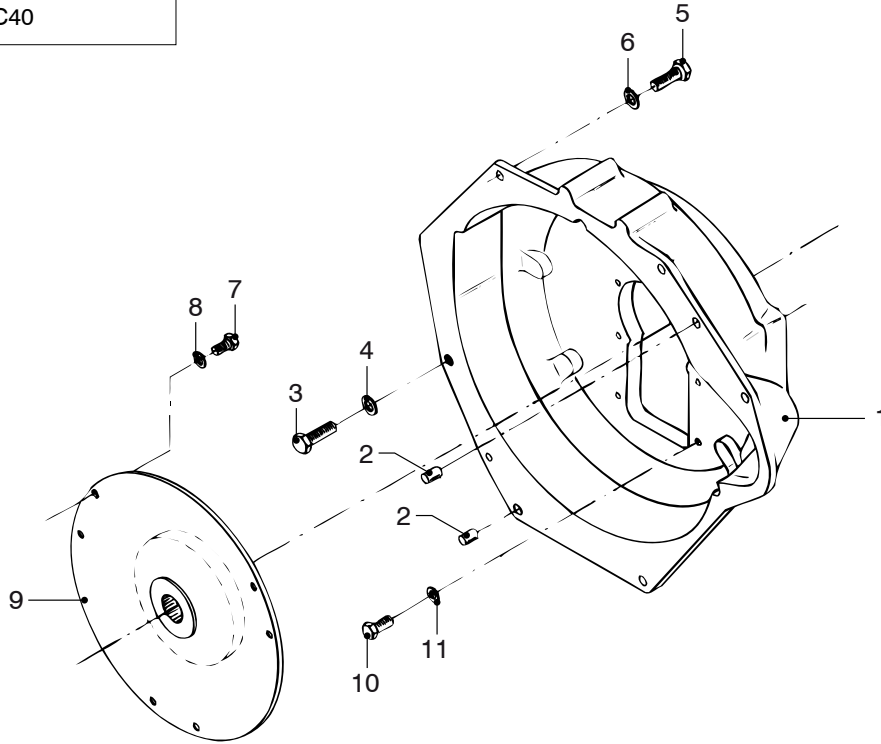
Vliegwielhuis PRM150

Flywheel housing PRM150

pos.	qty	part	benaming	description
1	1	STM7566	Vliegwielhuis Ø88	Flywheel housing Ø88
2	2	STM3813	Paspen 10x12 DIN7	Pin 10x12 DIN7
3	1	STM7053	Bout M12x1,25x30	Bolt M12x1.25x30
4	1	STM4003	Veerring M12	Spring washer M12
5	4	STM7053	Bout M12x1,25x30	Bolt M12x1.25x30
6	4	STM4056	Gegolfde veerring M12	Wave spring washer M12
7	6	STM4055	Bout M8x1,25x16	Bolt M8x1.25x16
8	6	STM1056	Veerring M8	Washer M8
9	1	STM4031	Demperplaat DIN splines z=10	Damperplate DIN splines z=10
10	6	STM1610	Bout M8x1,25x25	Bolt M8x1.25x25
11	6	STM1019	Gegolfde veerring M8	Spring washer M8



TMC40

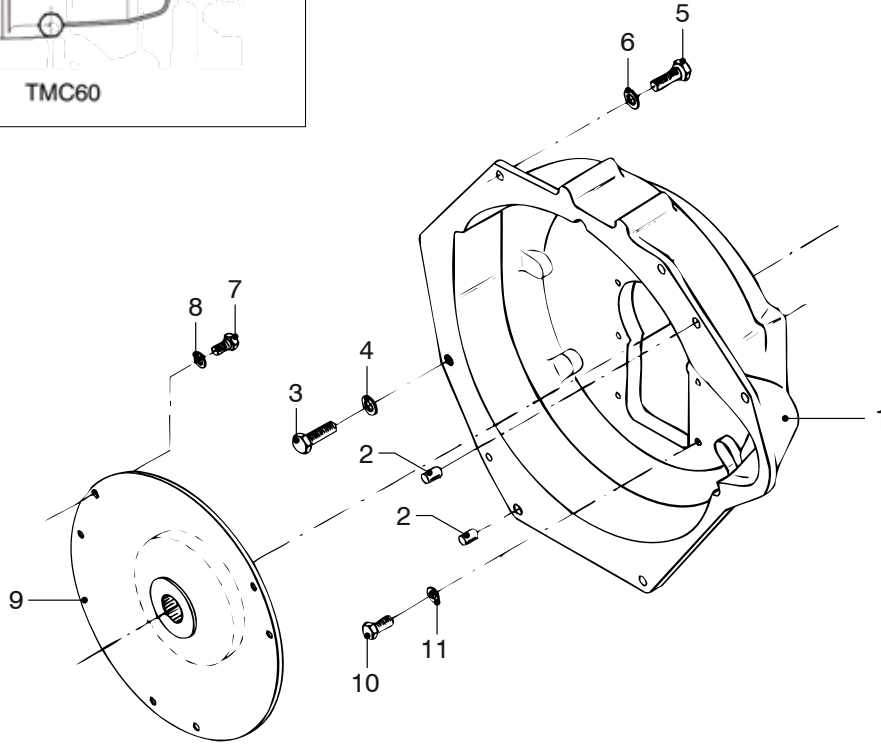
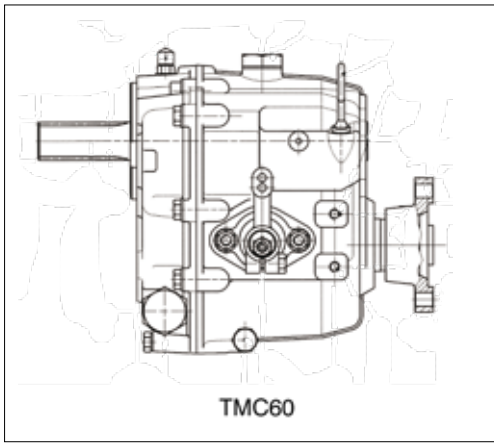


M4.17

Vliegwielhuis TMC40

Flywheel housing TMC40

pos.	qty	part	benaming	description
1	1	STM7566	Vliegwielhuis Ø88	Flywheel housing Ø88
2	2	STM3813	Paspen 10x12 DIN7	Pin 10x12 DIN7
3	1	STM7053	Bout M12x1,25x30	Bolt M12x1.25x30
4	1	STM4003	Veerring M12	Spring washer M12
5	4	STM7053	Bout M12x1,25x30	Bolt M12x1.25x30
6	4	STM4056	Gegolfde veerring M12	Wave spring washer M12
7	6	STM4055	Bout M8x1,25x16	Bolt M8x1.25x16
8	6	STM1019	Gegolfde veerring M8	Wave spring washer M8
9	1	STM4054	Demperplaat DIN splines z=10, interkoel	Damperplate DIN splines z=10, intercooled
	1	STM4032	Demperplaat DIN splines z=10, kielkoel	Damperplate DIN splines z=10, keelcooled
10	6	STM1610	Bout M8x1,25x25 TMC40	Bolt M8x1.25x25 TMC40
	6	STM1610	Bout M8x1,25x25 TMC40M	Bolt M8x1.25x25 TMC40M
	6	STM1610	Bout M8x1,25x25 TMC40P	Bolt M8x1.25x25 TMC40P
11	6	STM1019	Gegolfde veerring M8	Spring washer M8

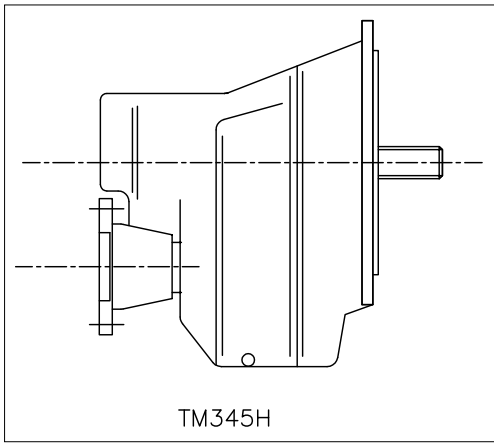


M4.17

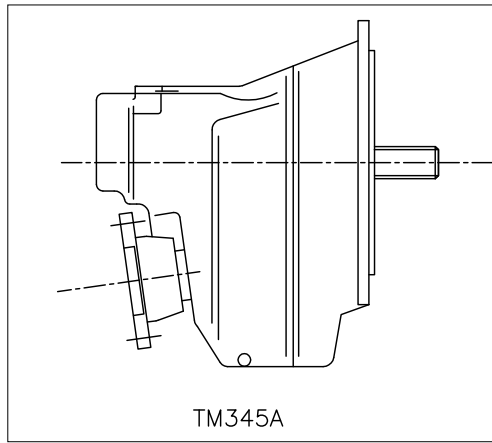
Vliegwielhuis TMC60

Flywheel housing TMC60

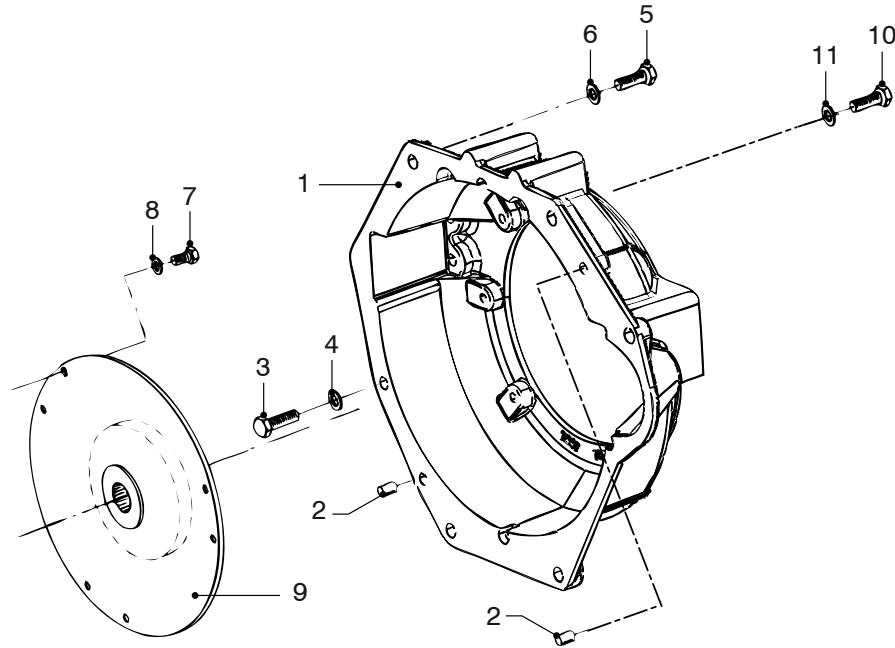
pos.	qty	part	benaming	description
1	1	STM7566	Vliegwielhuis Ø88	Flywheel housing Ø88
2	2	STM3813	Paspen 10x12 DIN7	Pin 10x12 DIN7
3	1	STM7053	Bout M12x1,25x30	Bolt M12x1.25x30
4	1	STM4003	Veerring M12	Spring washer M12
5	4	STM7053	Bout M12x1,25x30	Bolt M12x1.25x30
6	4	STM4056	Gegolfde veerring M12	Wave spring washer M12
7	6	STM4055	Bout M8x1,25x16	Bolt M8x1.25x16
8	6	STM1019	Gegolfde veerring M8	Wave spring washer M8
9	1	STM4054	Demperplaat DIN splines z=10, interkoel	Damperplate DIN splines z=10, intercooled
	1	STM4032	Demperplaat DIN splines z=10, kielkoel	Damperplate DIN splines z=10, keelcooled
10	6	STM7059	Bout M8x1,25x30 TMC60	Bolt M8x1.25x30 TMC60
	6	STM1610	Bout M8x1,25x25 TMC60M	Bolt M8x1.25x25 TMC60M
	6	STM7059	Bout M8x1,25x30 TMC60e	Bolt M8x1.25x30 TMC60E
11	6	STM1019	Gegolfde veerring M8	Spring washer M8



TM345H



TM345A

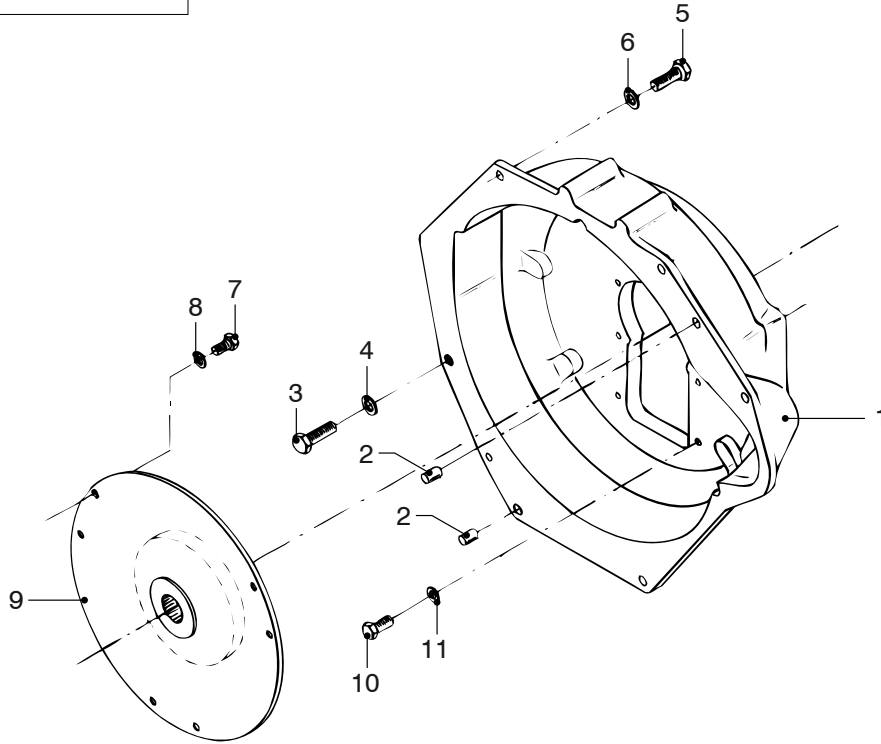
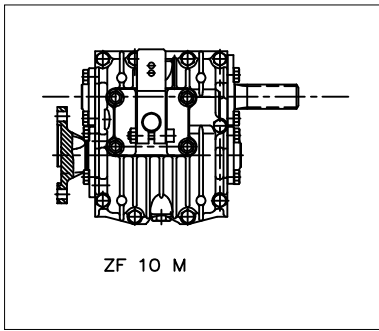


M4.17

Vliegwielhuis TM345H (A)

Flywheel housing TM345H (A)

pos.	qty	part	benaming	description
1	1	STM7567	Vliegwielhuis SAE7 \varnothing 209,55	Flywheel housing SAE7 \varnothing 209,55
2	2	STM3813	Paspen 10x12 DIN7	Pin 10x12 DIN7
3	1	STM7053	Bout M12x1,25x30	Bolt M12x1.25x30
4	1	STM4003	Veerring M12	Spring washer M12
5	4	STM7053	Bout M12x1,25x30	Bolt M12x1.25x30
6	4	STM4056	Gegolfde veerring M12	Wave spring washer M12
7	6	STM4055	Bout M8x1,25x16	Bolt M8x1.25x16
8	6	STM1056	Veerring M8	Spring washer M8
9	1	STM7609	Demperplaat sae splines z=26	Damperplate sae splines z=26
10	6	STM9003	Bout M10x25	Bolt M10x25
11	6	STM4003	Gegolfde veerring M10	Wave spring washer M10

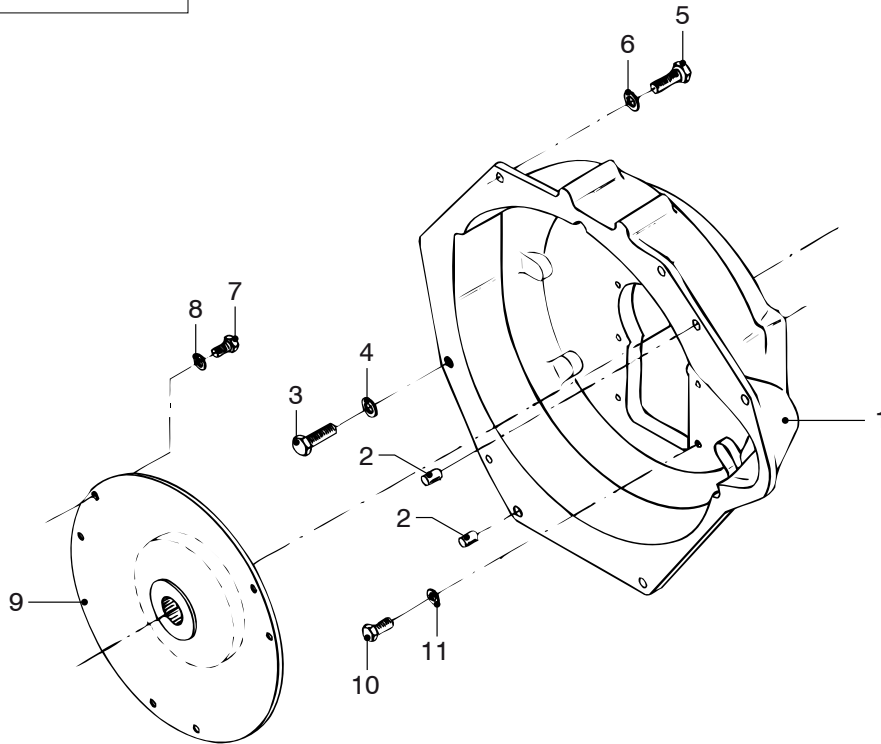
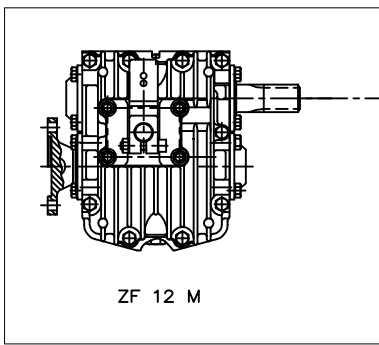


M4.17

Vliegwielhuis ZF10M

Flywheel housing ZF10M

pos.	qty	part	benaming	description
1	1	STM7566	Vliegwielhuis Ø88	Flywheel housing Ø88
2	2	STM3813	Paspen 10x12 DIN7	Pin 10x12 DIN7
3	1	STM7053	Bout M12x1,25x30	Bolt M12x1.25x30
4	1	STM4003	Veerring M12	Spring washer M12
5	4	STM7053	Bout M12x1,25x30	Bolt M12x1.25x30
6	4	STM4056	Gegolfde veerring M12	Wave spring washer M12
7	6	STM4055	Bout M8x1,25x16	Bolt M8x1.25x16
8	6	STM1056	Veerring M8	Spring washer M8
9	1	STM4054	Demperplaat DIN splines z=10	Damperplate DIN splines z=10
10	6	STM1610	Bout M8x1,25x25	Bolt M8x1.25x25
11	6	STM1019	Gegolfde veerring M8	Spring washer M8

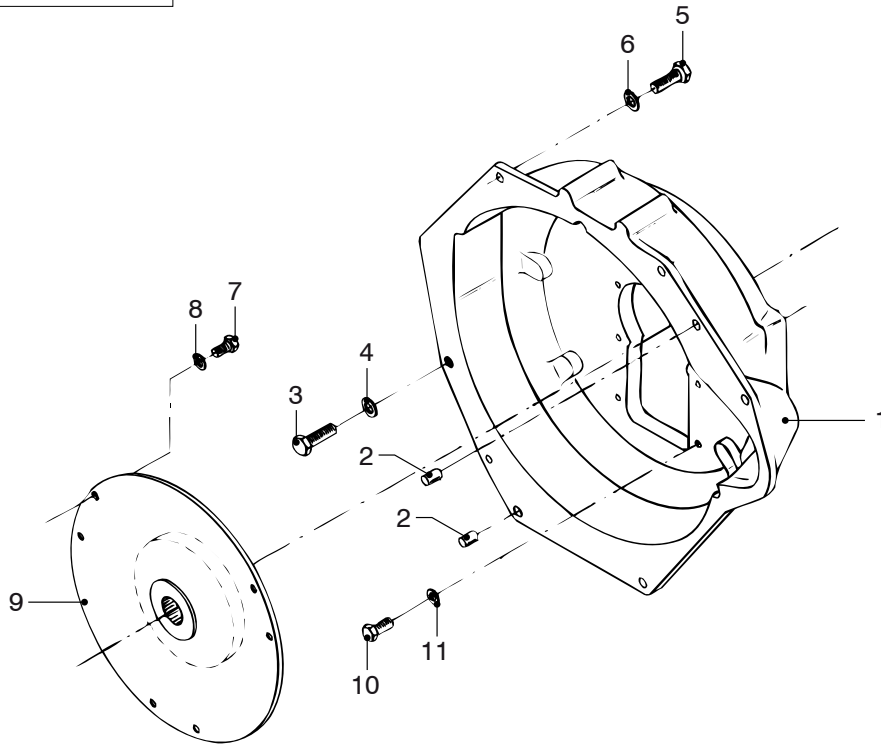
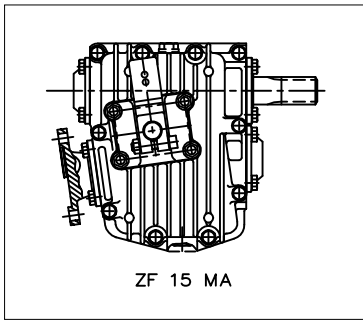


M4.17

Vliegwielhuis ZF12M

Flywheel housing ZF12M

pos.	qty	part	benaming	description
1	1	STM7566	Vliegwielhuis Ø88	Flywheel housing Ø88
2	2	STM3813	Paspen 10x12 DIN7	Pin 10x12 DIN7
3	1	STM7053	Bout M12x1,25x30	Bolt M12x1.25x30
4	1	STM4003	Veerring M12	Spring washer M12
5	4	STM7053	Bout M12x1,25x30	Bolt M12x1.25x30
6	4	STM4056	Gegolfde veerring M12	Wave spring washer M12
7	6	STM4055	Bout M8x1,25x16	Bolt M8x1.25x16
8	6	STM1056	Veerring M8	Spring washer M8
9	1	STM4054	Demperplaat DIN splines z=10	Damperplate DIN splines z=10
10	6	STM1610	Bout M8x1,25x25	Bolt M8x1.25x25
11	6	STM1019	Gegolfde veerring M8	Spring washer M8

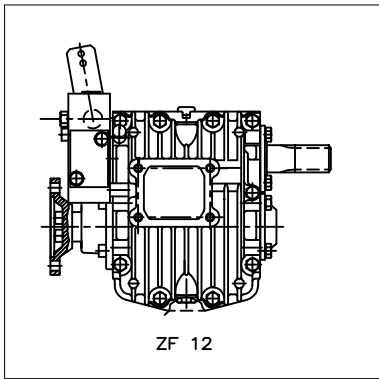


M4.17

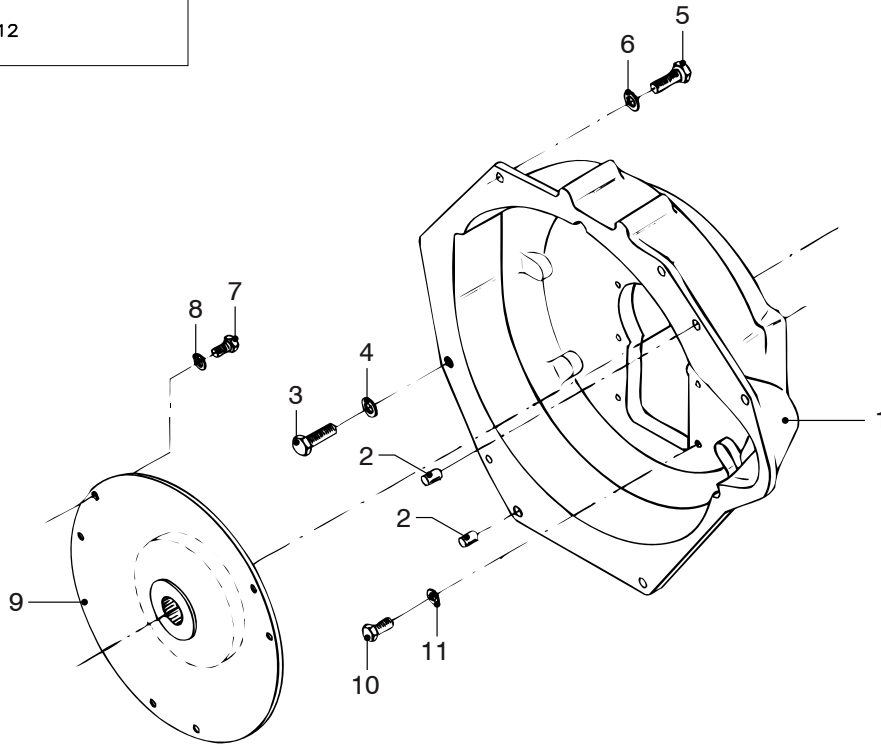
Vliegwielhuis ZF15MA

Flywheel housing ZF15MA

pos.	qty	part	benaming	description
1	1	STM7566	Vliegwielhuis Ø88	Flywheel housing Ø88
2	2	STM3813	Paspen 10x12 DIN7	Pin 10x12 DIN7
3	1	STM7053	Bout M12x1,25x30	Bolt M12x1.25x30
4	1	STM4003	Veerring M12	Spring washer M12
5	4	STM7053	Bout M12x1,25x30	Bolt M12x1.25x30
6	4	STM4056	Gegolfde veerring M12	Wave spring washer M12
7	6	STM4055	Bout M8x1,25x16	Bolt M8x1.25x16
8	6	STM1056	Veerring M8	Spring washer M8
9	1	STM4054	Demperplaat DIN splines z=10	Damperplate DIN splines z=10
10	6	STM1610	Bout M8x1,25x25	Bolt M8x1.25x25
11	6	STM1019	Gegolfde veerring M8	Spring washer M8



ZF 12

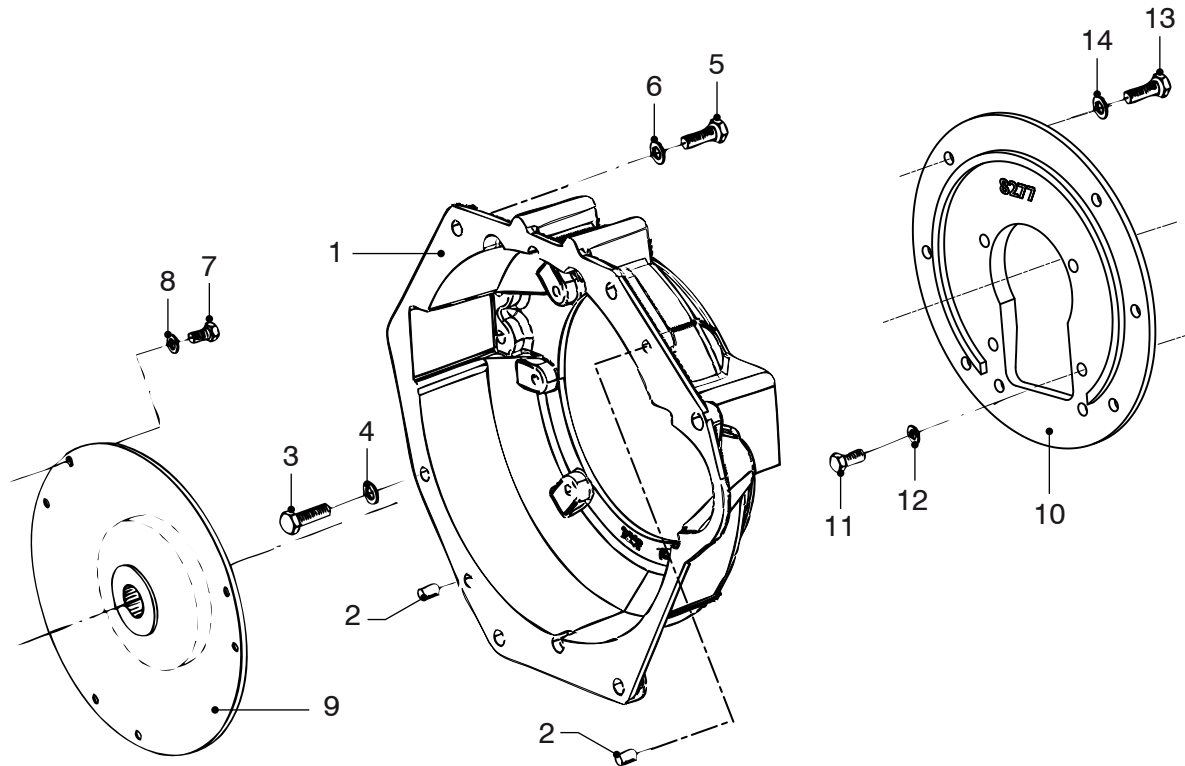
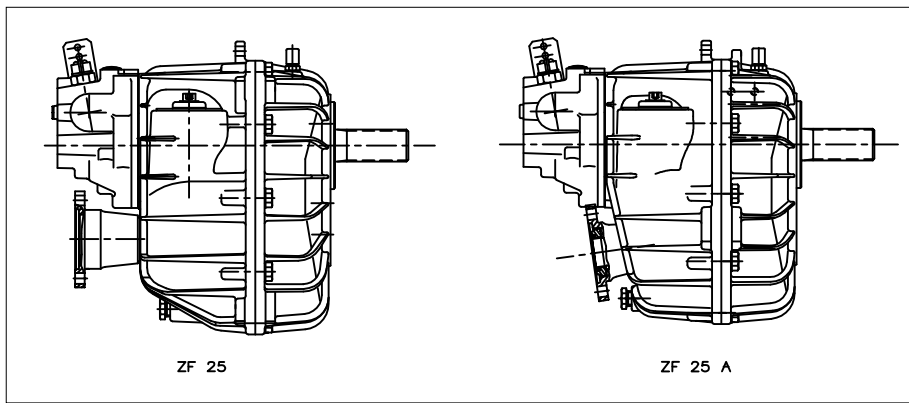


M4.17

Vliegwielhuis ZF12

Flywheel housing ZF12

pos.	qty	part	benaming	description
1	1	STM7566	Vliegwielhuis Ø88	Flywheel housing Ø88
2	2	STM3813	Paspen 10x12 DIN7	Pin 10x12 DIN7
3	1	STM7053	Bout M12x1,25x30	Bolt M12x1.25x30
4	1	STM4003	Veerring M12	Spring washer M12
5	4	STM7053	Bout M12x1,25x30	Bolt M12x1.25x30
6	4	STM4056	Gegolfde veerring M12	Wave spring washer M12
7	6	STM4055	Bout M8x1,25x16	Bolt M8x1.25x16
8	6	STM1056	Veerring M8	Spring washer M8
9	1	STM4031	Demperplaat DIN splines z=10	Damperplate DIN splines z=10
10	6	STM1610	Bout M8x1,25x25	Bolt M8x1.25x25
11	6	STM1019	Gegolfde veerring M8	Spring washer M8

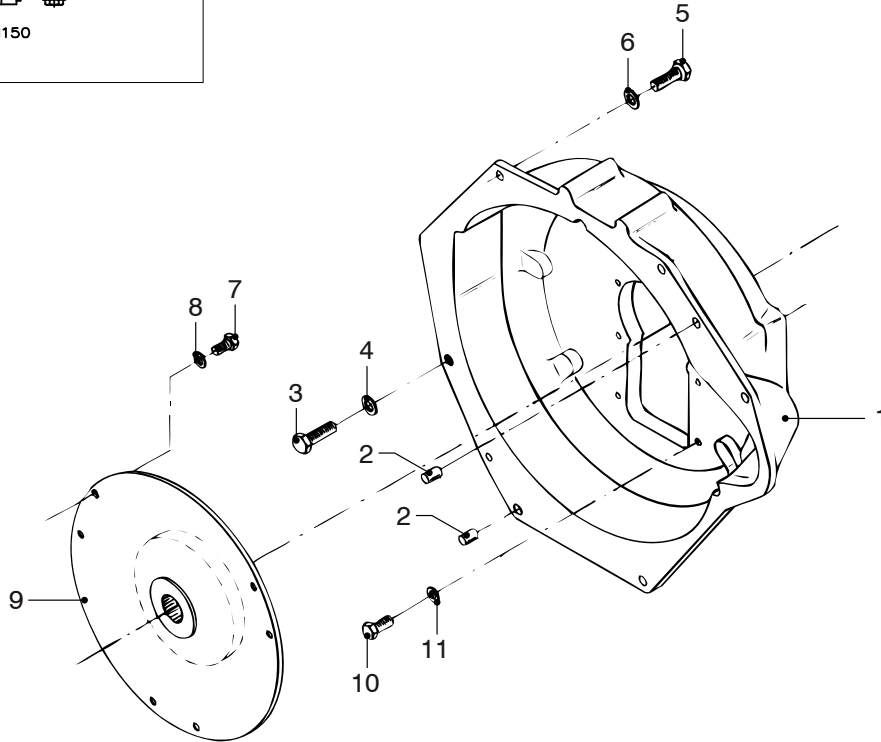
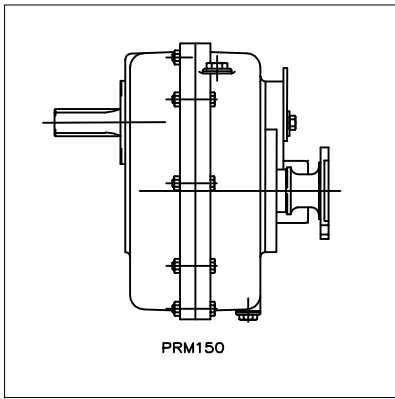


M4.17

Vliegwielhuis ZF25 (A)

Flywheel housing ZF25 (A)

pos.	qty	part	benaming	description
1	1	STM7567	Vliegwielhuis SAE7 Ø209,55	Flywheel housing SAE 209,55
2	2	STM3813	Paspen 10x12 DIN7	Pin 10x12 DIN7
3	1	STM7053	Bout M12x1,25x30	Bolt M12x1.25x30
4	1	STM4003	Veerring M12	Spring washer M12
5	4	STM7053	Bout M12x1,25x30	Bolt M12x1.25x30
6	4	STM4056	Gegolfde veerring M12	Wave spring washer M12
7	6	STM4055	Bout M8x1,25x16	Bolt M8x1.25x16
8	6	STM1056	Veerring M8	Spring washer M8
9	1	STM7609	Demperplaat sae splines z=26	Damperplate sae splines z=26
10	1	STM8277	Adapterplaat SAE7 -> Ø92	Adapter plate SAE7 -> Ø92
11	6	STM9003	Bout M10x1,5x25	Bolt M10x1.5x25
12	6	STM4003	Gegolfde veerring M10	Wave spring washer M10
13	6	STM9003	Bout M10x25	Bolt M10x25
14	6	STM4003	Gegolfde veerring M10	Wave spring washer M10

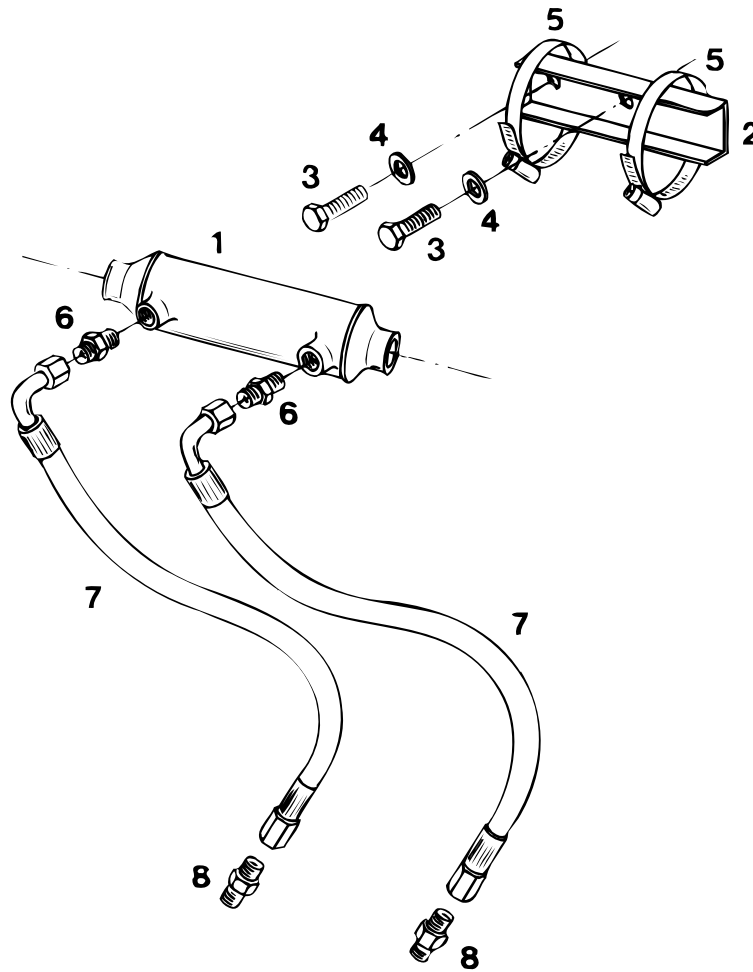


M4.17

Vliegwielhuis PRM150

Flywheel housing PRM150

pos.	qty	part	benaming	description
1	1	STM7566	Vliegwielhuis Ø88	Flywheel housing Ø88
2	2	STM3813	Paspen 10x12 DIN7	Pin 10x12 DIN7
3	1	STM7053	Bout M12x1,25x30	Bolt M12x1.25x30
4	1	STM4003	Veerring M12	Spring washer M12
5	4	STM7053	Bout M12x1,25x30	Bolt M12x1.25x30
6	4	STM4056	Gegolfde veerring M12	Wave spring washer M12
7	6	STM4055	Bout M8x1,25x16	Bolt M8x1.25x16
8	6	STM1056	Veerring M8	Washer M8
9	1	STM4031	Demperplaat DIN splines z=10	Damperplate DIN splines z=10
10	6	STM1610	Bout M8x1,25x25	Bolt M8x1.25x25
11	6	STM1019	Gegolfde veerring M8	Spring washer M8

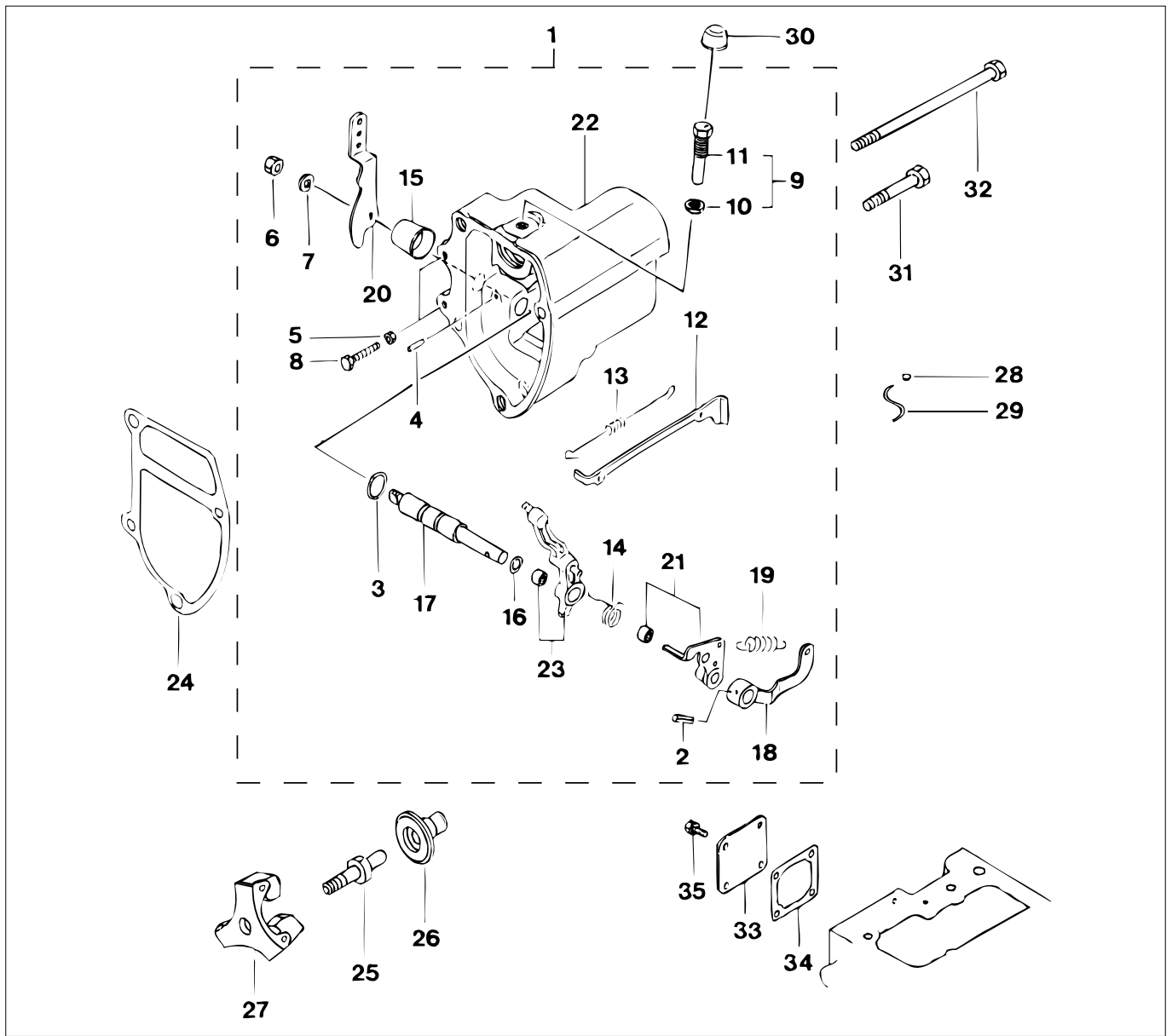


M4.15 M4.17

Oliekoeler keerkoppeling

Oil cooler gearbox

pos.	qty	part	benaming	description
1	1	STM5007	Oliekoeler 7"xø55-G3/8 slangaansluiting ø25, Interkoeling	Oilcooler 7"xø55-G3/8 hose connection ø25, Intercooling
	1	STM3771	Oliekoeler 7"xø55-G3/8 slangaansluiting ø33, Kielkoeling	Oilcooler 7"xø55-G3/8 hose connection ø33, Keelcooling
2	1	STM7568	Steun	Support
3	2	STM3355	Bout M8x1,25x20	Bolt M8x1.25x20
4	2	STM1019	Gegolfde veerring M8	Wavespring washer M8
5	2	STM8150	Slangklem 77-95	Hose clamp 77-95
6	2	STM3491	Nippel G3/8 -> M16	Nipple G3/8 -> M16
7	2	CT50079	Slang l=550	Hose l=550
8	2	STM3491	Nippel M16 -> G3/8 HSW	Nipple M16 -> G3/8 HSW
	2	STM3766	Nippel M16 -> G1/4 PRM150	Nipple M16 -> G1/4 PRM150

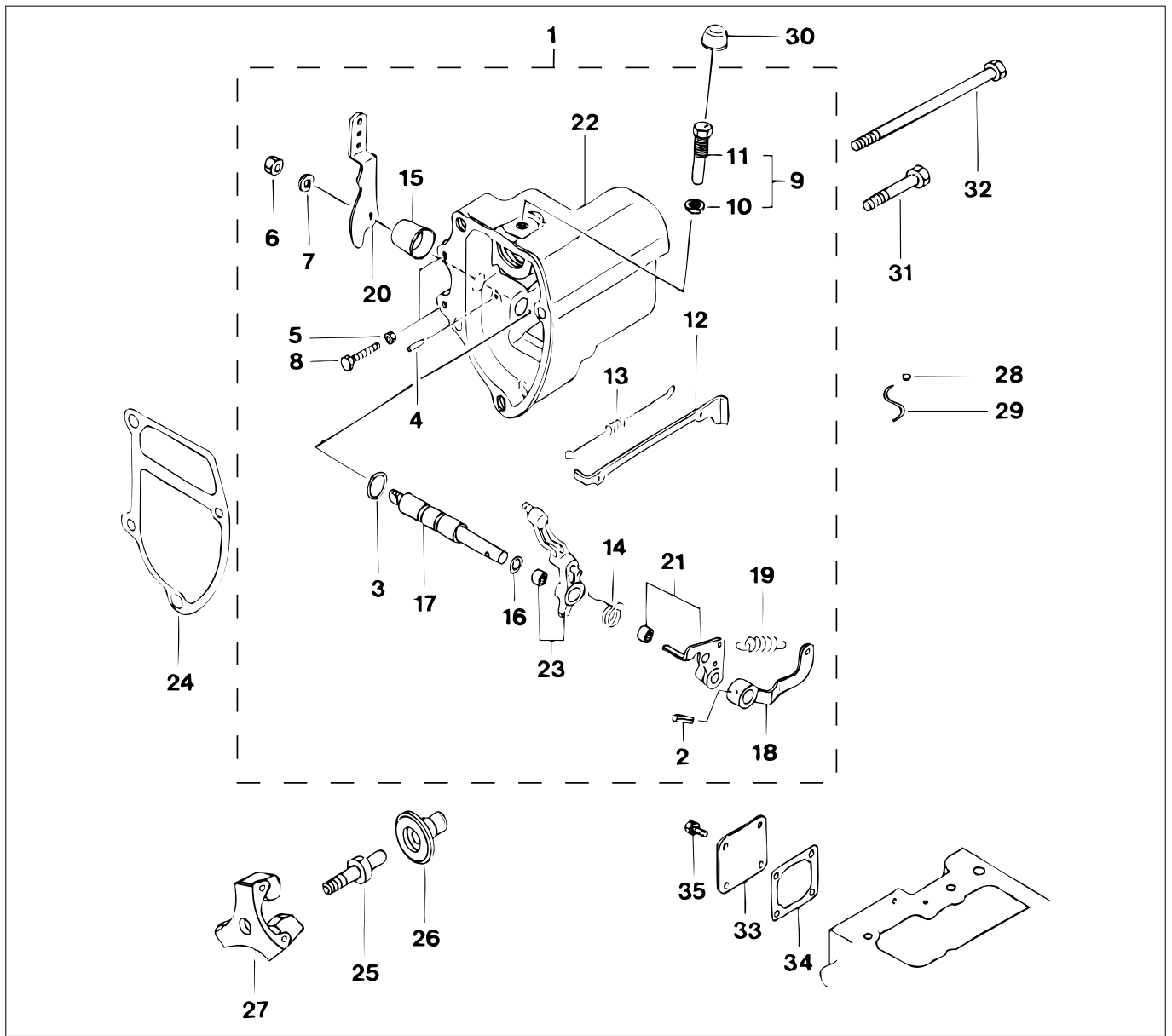


M4.15 M4.17

Regulateur

Regulator

pos.	qty	part	benaming	description
1	1	STM7895	Regulateur cpl.	Regulator cpl.
2	1	STM7896	Borgpen	Pin
3	1	STM7897	O-ring	O-ring
4	1	STM7898	Pen	Pin
5	2	STM7899	Moer	Nut
6	1	STM7900	Moer	Nut
7	1	STM7901	Veerring	Spring washer
8	2	STM7902	Bout	Bolt
9	1	STM7903	Schroef+moer	Screw+nut
10	1	STM7904	Moer	Nut
11	1	STM7905	Schroef	Screw
12	1	STM7906	Stang	Tie rod
13	1	STM7907	Veer	Spring
14	1	STM7908	Veer	Spring
15	1	STM7909	Deksel	Cover
16	1	STM7910	Shim	Shim
17	1	STM7911	As	Shaft
18	1	STM7912	Hefboom	Lever

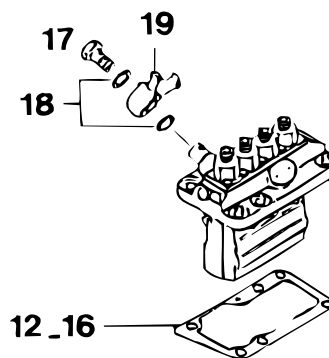
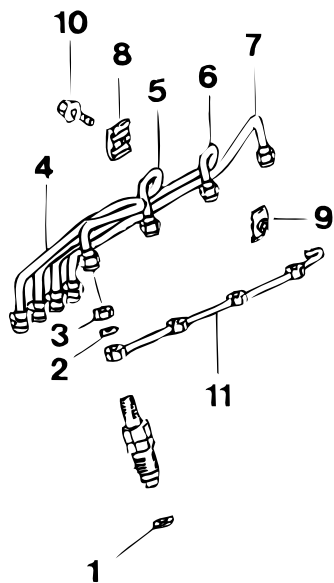


M4.15 M4.17

Regulateur

Regulator

pos.	qty	part	benaming	description
19	1	STM7913	Veer	Spring
20	1	STM7914	Hefboom	Lever
21	1	STM7915	Hefboom	Lever
22	1	STM7916	Huis	Case
23	1	STM7917	Hefboom	Lever
24	1	STM7918	Pakking	Gasket
25	1	STM7919	As	Shaft
26	1	STM7920	Geleiding	Sleeve
27	1	STM7921	Gewicht	Weight
28	1	STM2718	Zegellood	Seal metal
29	1	STM7922	Zegeldraad	Sealing wire
30	1	STM7923	Kap	Cap
31	3	STM7924	Bout	Bolt
32	1	STM7925	Bout	Bolt
33	1	STM7926	Deksel	Cover
34	1	STM7927	Pakking	Gasket
35	4	STM7928	Bout	Bolt

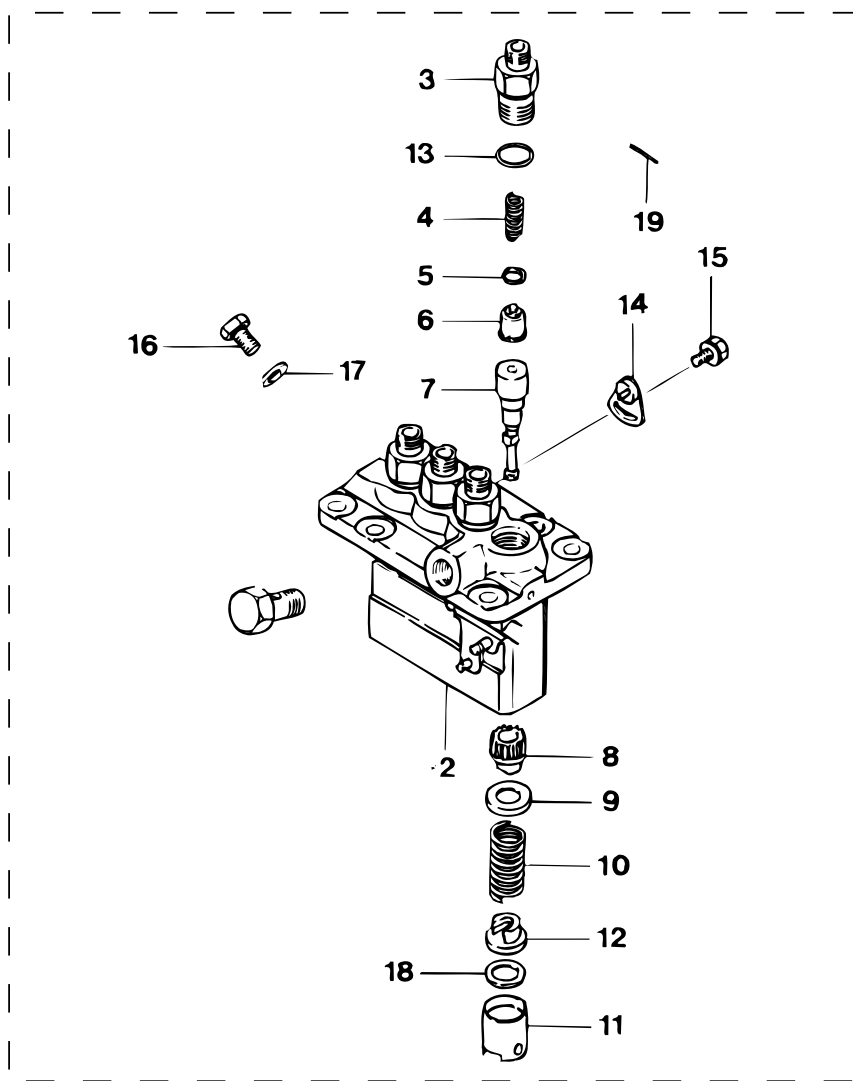


M4.15 M4.17

Brandstofleidingen

Fuel pipes

pos.	qty	part	benaming	description
1	4	STM7861	Pakking	Gasket
2	4	STM7862	Pakking	Gasket
3	4	STM7863	Moer	Nut
4	1	STM7864	Leiding	Pipe
5	1	STM7865	Leiding	Pipe
6	1	STM7866	Leiding	Pipe
7	1	STM7867	Leiding	Pipe
8	3	STM3409	Klem	Clamp
9	3	STM3410	Klem	Clamp
10	3	STM7868	Bout	Bolt
11	1	STM7869	Leiding	Pipe
12		STM7870	Shim 0.7	Shim 0.7
13		STM7871	Shim 0.8	Shim 0.8
14		STM7872	Shim 0.9	Shim 0.9
15		STM7873	Shim 1.0	Shim 1.0
16		STM7874	Shim 0.2	Shim 0.2
17	1	STM7875	Bout	Bolt
18	2	STM7876	Ring	Washer
19	1	STM7877	Slang pilaar	Hose pillar

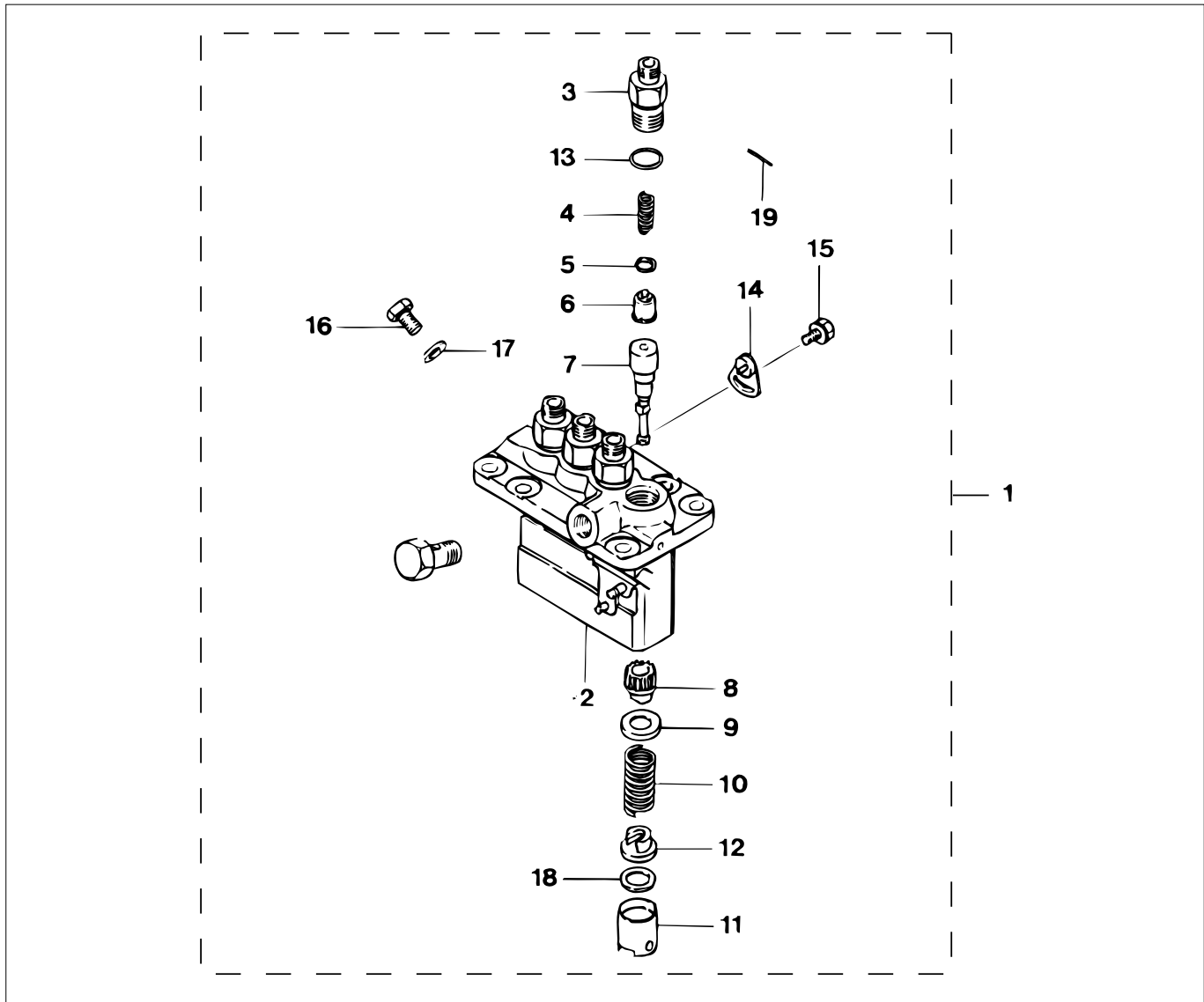


M4.15 M4.17

Brandstofpomp

Fuel pump

pos.	qty	part	benaming	description
1	1	STM7968	Brandstofpomp cpl.	Fuel pump cpl.
	1	STM9971	Brandstofpomp cpl. M4.17 serienr. 113342 ->	Fuel pump cpl. M4.17 serial nr. 113342 ->
2	4	STM7969	Huis	Housing
3	4	STM7970	Houder	Holder
		STM9962	Houder M4.17 serienr. 113342 ->	Holder M4.17 serial nr. 113342 ->
4	4	STM7971	Veer	Spring
		STM9963	Veer M4.17 serienr. 113342 ->	Spring M4.17 serial nr. 113342 ->
5	4	STM7972	Pakking	Gasket
6	4	STM7973	Klep	Valve
		STM9964	Klep M4.17 serienr. 113342 ->	Valve M4.17 serial nr. 113342 ->
7	4	STM7974	Element	Element
		STM9965	Element M4.17 serienr. 113342 ->	Element M4.17 serial nr. 113342 ->
8	4	STM7975	Geleider	Sleeve
9	4	STM7976	Zitting	Seat
10	4	STM7977	Veer	Spring
11	4	STM7978	Stoter	Tappet
12	4	STM7979	Zitting	Seat
13	4	STM7980	O-ring	O-ring
14	3	STM7981	Stelplaat	Plate
15	3	STM7982	Bout	Bolt

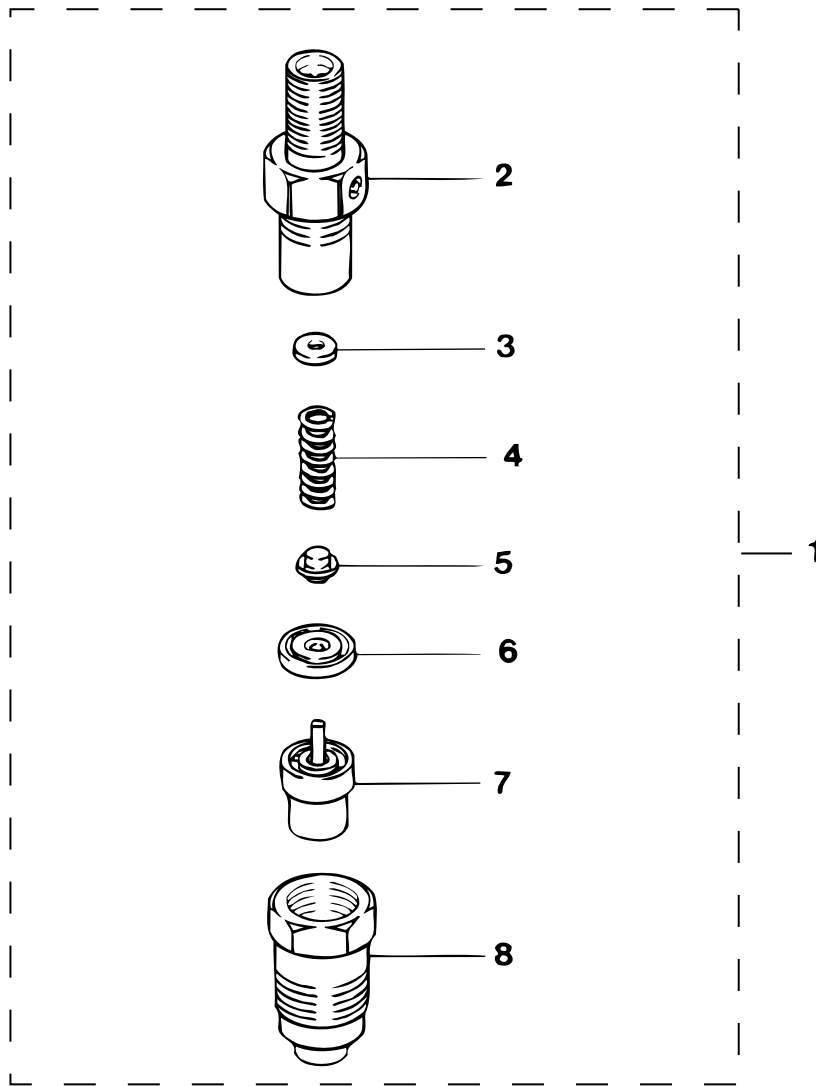


M4.15 M4.17

Brandstofpomp

Fuel pump

pos.	qty	part	benaming	description
16	1	STM7983	Schroef	Screw
17	1	STM7985	Ring	Washer
18	1	STM7986	Shim	Shim
19	1	STM7987	Pen	Pin

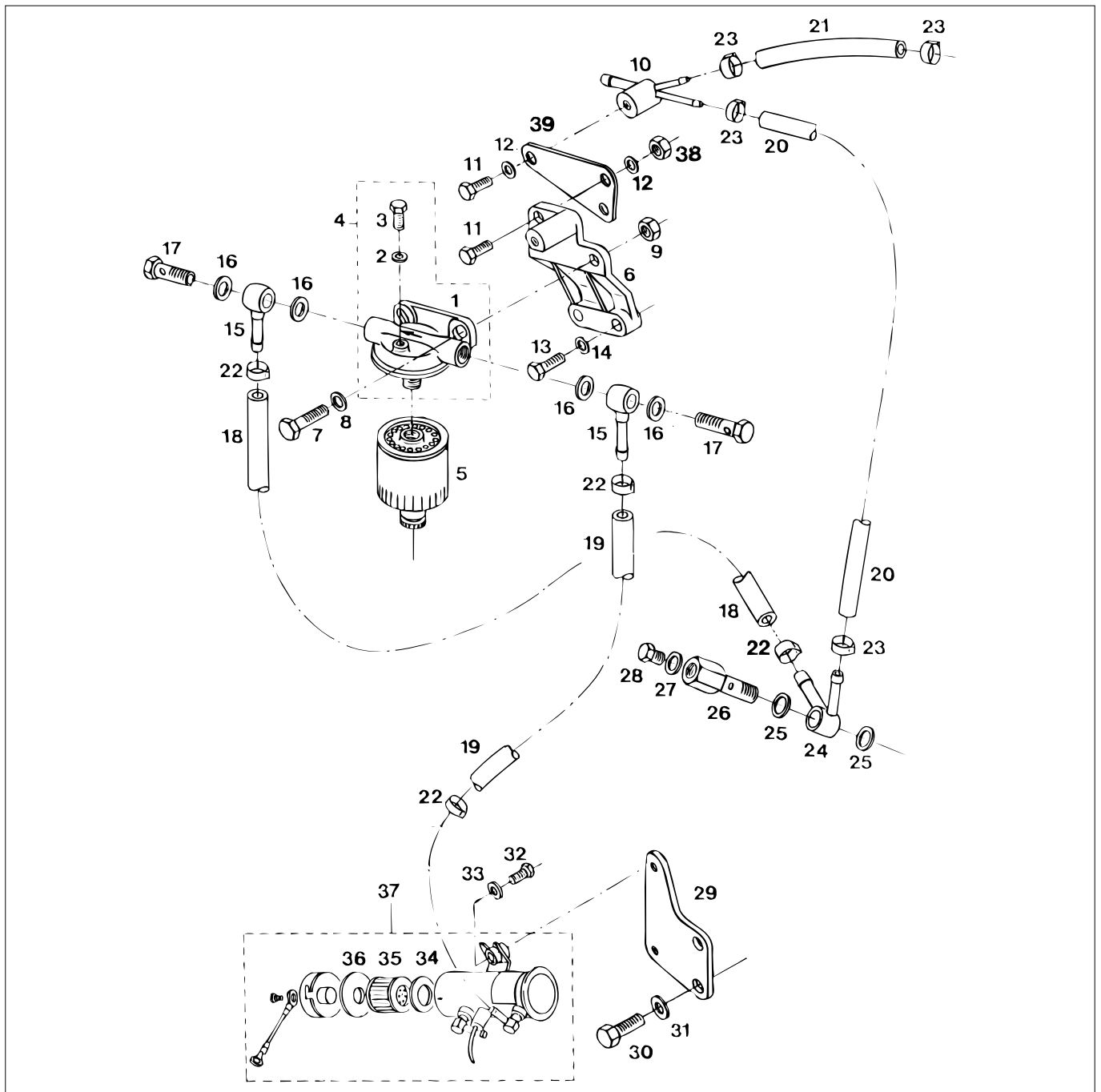


M4.15 M4.17

Verstuiverhouder

Nozzle holder

pos.	qty	part	benaming	description
1	1	STM7878	Verstuiverhouder cpl.	Nozzle holder cpl.
2	1	STM7879	Verstuiverhouder	Nozzle holder
3		STM7880	Ring 1.25	Washer 1.25
		STM7881	Ring 1.3	Washer 1.3
		STM7882	Ring 1.35	Washer 1.35
		STM7883	Ring 1.4	Washer 1.4
		STM7884	Ring 1.45	Washer 1.45
		STM7885	Ring 1.5	Washer 1.5
		STM7886	Ring 1.55	Washer 1.55
		STM7887	Ring 1.6	Washer 1.6
		STM7888	Ring 1.65	Washer 1.65
		STM7889	Ring 1.7	Washer 1.7
4	4	STM7890	Veer	Spring
5	4	STM7891	Pen	Pin
6	4	STM7892	Afstandstuk	Distance piece
7	4	STM7893	Verstuiver	Nozzle
8	4	STM7894	Moer	Nut

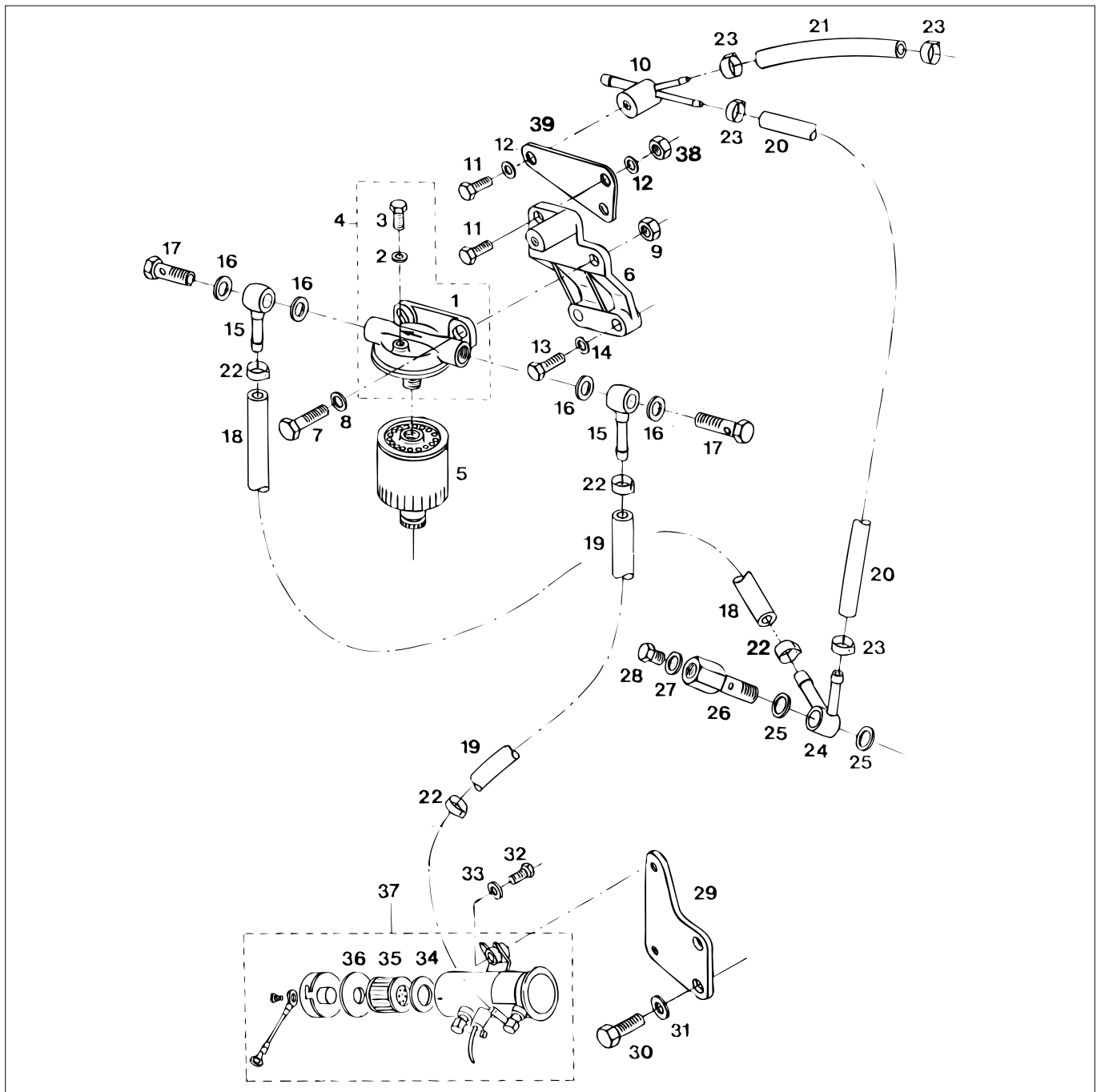


M4.15 M4.17

Brandstoffilter

Fuel filter

pos.	qty	part	benaming	description
1	1	STM6050	Filterkop	Filter head
2	1	STM3797	Afdichtring	Seal washer
3	1	STM3796	Bout M8x1,25x10	Bolt M8x1.25x10
4	1	STM6049	Filterkop compleet 1+2+3	Filterkop cpl. 1+2+3
5	1	STM3690	Brandstoffilter	Fuel filter
6	1	STM6115	Steun	Support
7	2	STM4013	Bout M10x1,5x30	Bolt M10x1.5x30
8	2	STM4061	Gegolfde veerring M10	Wave spring washer M10
9	2	STM4018	Moer M10	Nut M10
10	1	STM6180	Nippel	Nipple
11	2	STM1030	Bout M6x1x20	Bolt M6x1x30
12	2	STM1025	Gegolfde veerring M6	Wave spring washer M6
13	2	STM7059	Bout M8x1,25x30	Bolt M8x1.25x30
14	2	STM1019	Gegolfde veerring M8	Wave spring washer M8

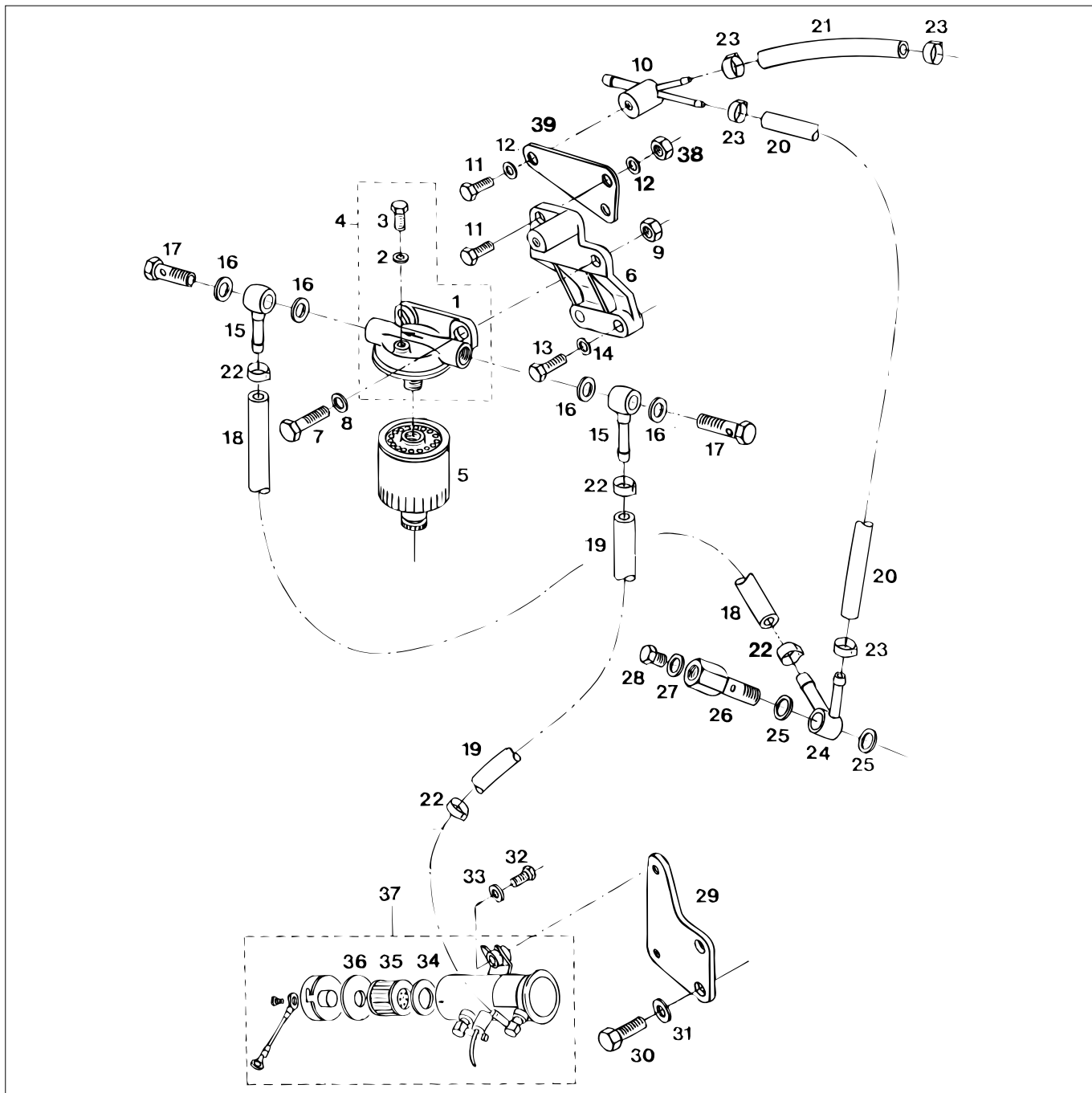


M4.15 M4.17

Brandstoffilter

Fuel filter

pos.	qty	part	benaming	description
15	2	STM9262	Banjo-oog	Banjo eye
16	4	STM7056	Afdichtring	Seal washer
17	2	STM8057	Banjo bout M12x1	Banjo bolt M12x1
18	1	STM6581	Brandstofslang ø8 440 mm	Fuel hose ø8 440 mm
19	1	STM6581	Brandstofslang ø8 440 mm	Fuel hose ø8 440 mm
20	1	STM7598	Brandstofslang ø5 450 mm	Fuel hose ø5 450 mm
21	1	STM7599	Brandstofslang ø5 110 mm	Fuel hose ø5 110 mm
22	4	STM6185	Klem	Clamp
23	4	STM6186	Klem	Clamp
24	1	STM7877	Banjo-oog	Banjo eye
25	2	STM7876	Afdichtring	Seal washer
26	1	STM7988	Banjo-oog	Banjo eye
27	1	STM7989	Afdichtring	Seal washer
28	1	STM7990	Bout	Bolt

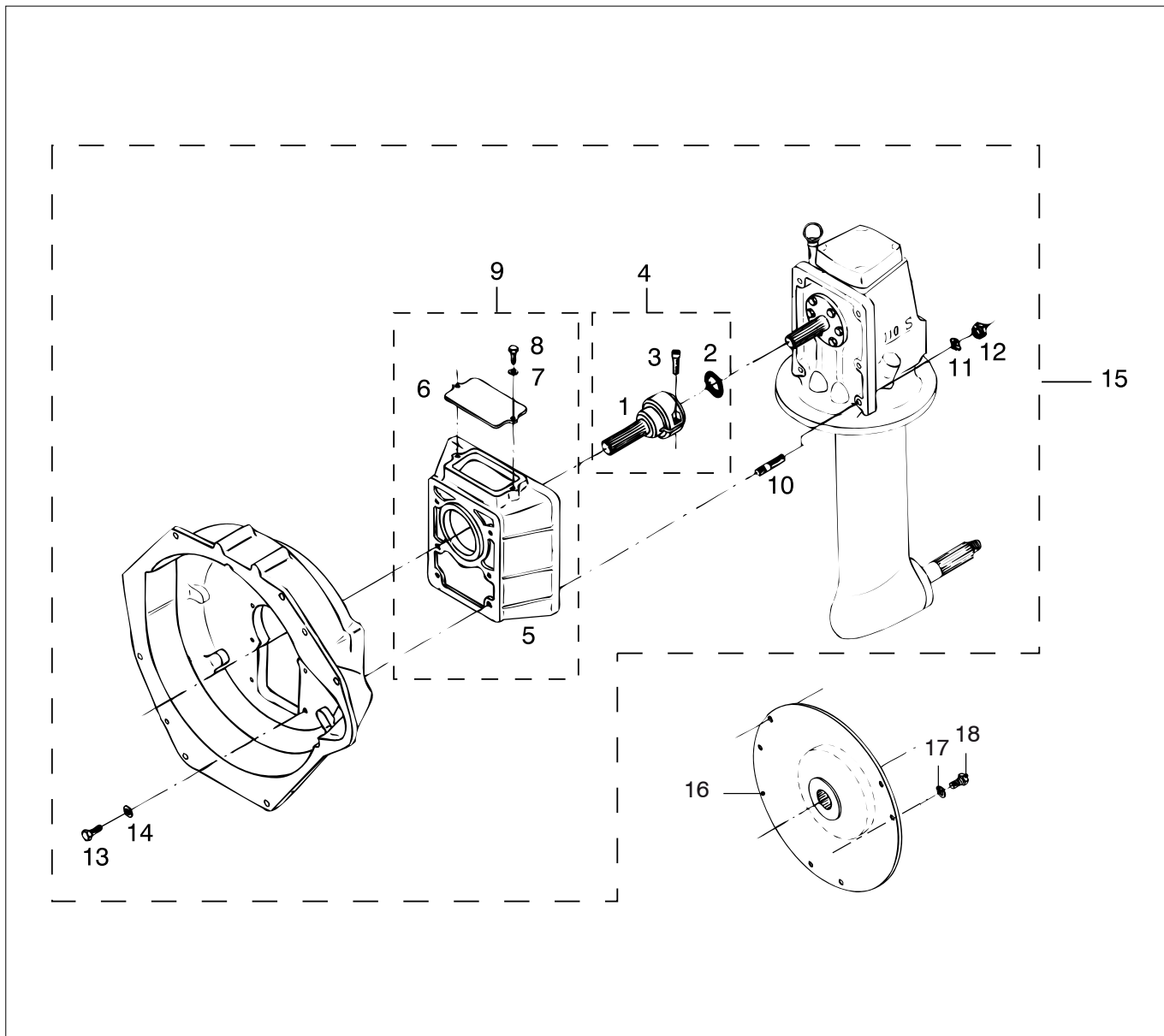


M4.15 M4.17

Brandstoffilter

Fuel filter

pos.	qty	part	benaming	description
29	1	STM7572	Steun	Support
30	2	STM3817	Bout M12x1,25x25	Bolt M12x1.25x25
31	2	STM4003	Veerring M12	Spring washer M12
32	2	STM1030	Bout M6x1x20	Bolt M6x1x20
33	2	CT40029	Veerring M6	Spring washer M6
34	1	STM4037	Pakking	Gasket
35	1	STM4050	Filter	Filter
36	1	STM4038	Pakking	Gasket
37	1	STM4049	Electrische brandstofopvoerpomp	Electrical fuel lift pump
38	1	STM3260	Moer M6	Nut M6
39	1	STM6291	Steun	Support

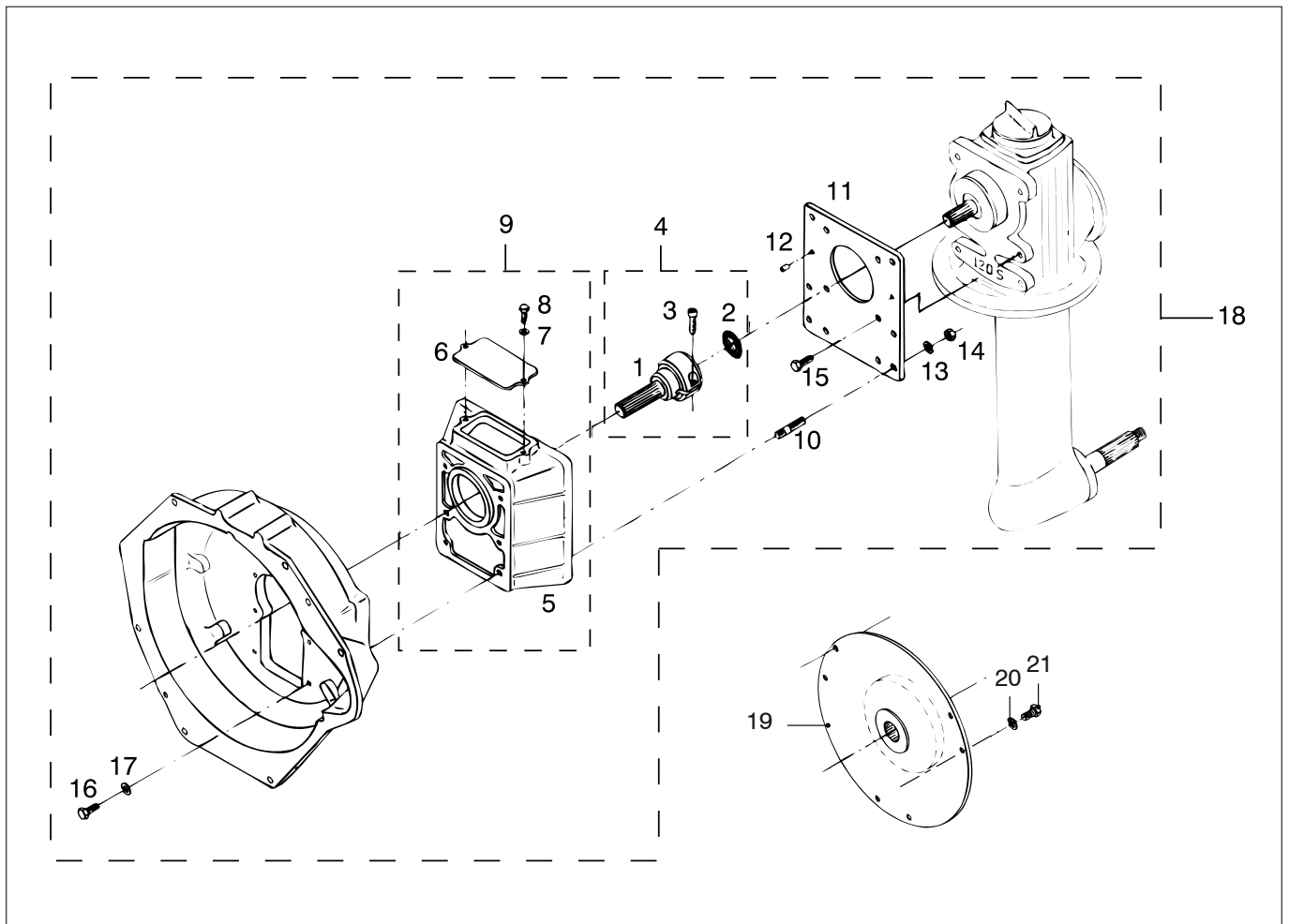


M4.15 M4.17

Verloopset saildrive 110S

Adaptor kit saildrive 110S

pos.	qty	part	benaming	description
1	1	STM7605	Koppeling	Coupling
2	1	STM7607	O-ring	O-ring
3	2	STM8332	Inbusbout M8x30	Allen screw M8x30
4	1	STM7611	Koppeling compleet (1+2+3)	Coupling cpl.(1+2+3)
5	1	STM7601	Adapterhuis	Adaptor case
6	1	STM7603	Deksel	Cover
7	2	STM1025	Gegolfde veerring M6	Wave spring washer M6
8	2	STM1024	Bout M6x15	Bolt M6x15
9	1	STM7612	Adapterhuis cpl. (5+6+7+8)	Adaptor case cpl. (5+6+7+8)
10	6	STM7615	Tapeind M10x45	Stud M10x45
11	6	STM2022	Gegolfde veerring M10	Vave spring washer M10
12	6	STM4018	Moer M10	Nut M10
13	6	STM1651	Bout M8x35	Bolt M8x35
14	6	STM1019	Gegolfde veerring M8	Wave spring washer M8
15	1	STM7614	Aanbouwset cpl.	Adaptor kit cpl.
16	1	STM4054	Demperplaat DIN splines Z=10	Damper plate DIN splines Z=10
17	6	STM1056	Veerring M8	Spring washer M8
18	6	STM4055	Bout M8x1,25x16	Bolt M8x1.25x16

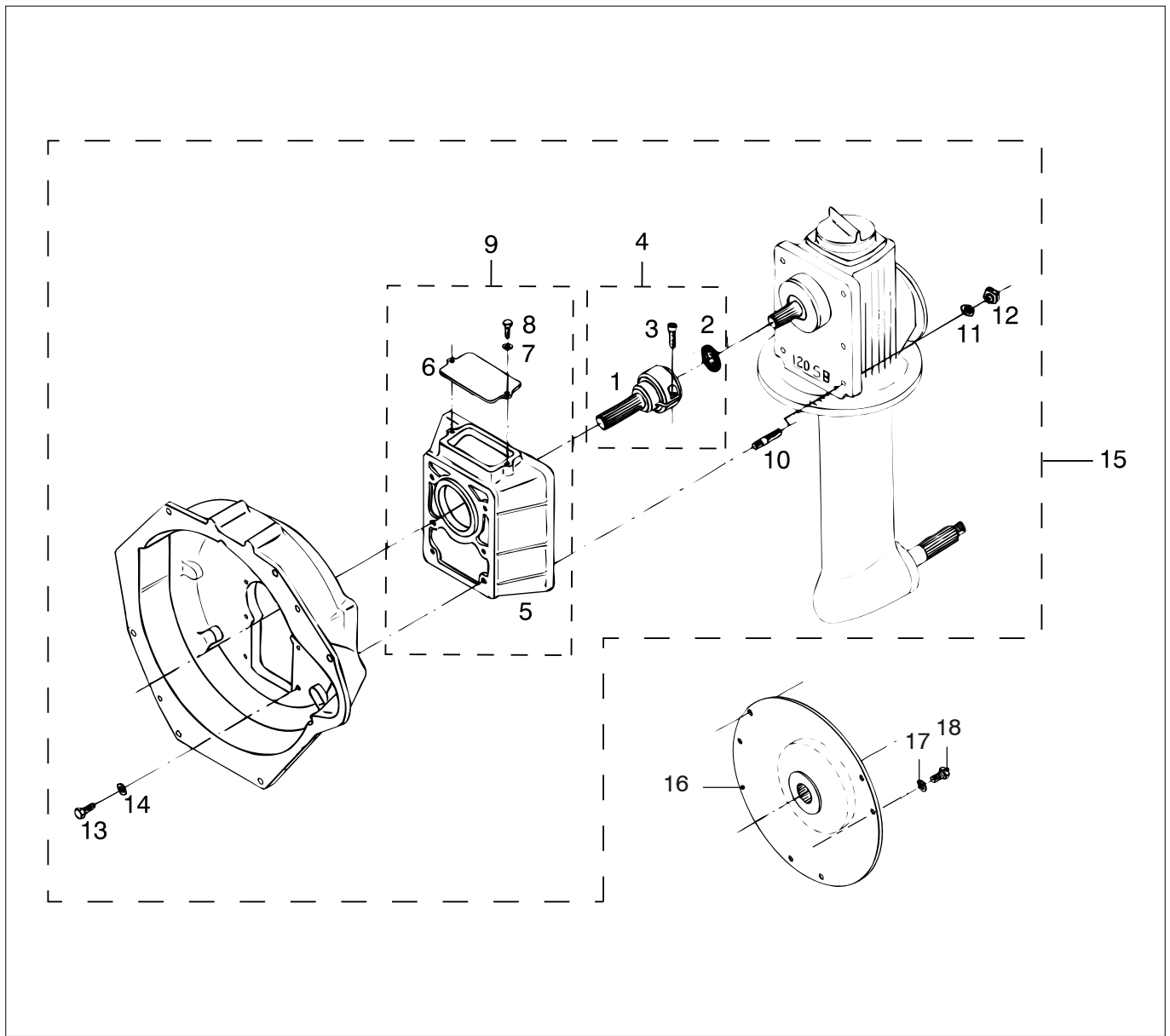


M4.15 M4.17

Verloopset saildrive 120S

Adaptor kit saildrive 120S

pos.	qty	part	benaming	description
1	1	STM7606	Koppeling	Coupling
2	1	STM7608	O-ring	O-ring
3	2	STM8332	Inbusbout M8x30	Allen screw M8x30
4	1	STM7616	Koppeling compleet (1+2+3)	Coupling cpl. (1+2+3)
5	1	STM7601	Adapterhuis	Adaptor case
6	1	STM7603	Deksel	Cover
7	2	STM1025	Gegolfde veerring M6	Wave spring washer M6
8	2	STM1024	Bout M6x15	Bolt M6x15
9	1	STM7612	Adapterhuis cpl. (5+6+7+8)	Adaptor case cpl. (5+6+7+8)
10	6	STM7620	Tapeind M10x20	Stud M10x20
11	1	STM7604	Adapterflens	Adaptor flange
12	2	STM2507	Paspen ø8x12	Pin ø8x12
13	6	STM2022	Gegolfde veerring M10	Wave spring washer M10
14	6	STM4018	Moer M10	Nut M10
15	6	STM8391	Bout M10x25 (sw16)	Bolt M10x25
16	6	STM1651	Bout M8x35	Bolt M8x35
17	6	STM1019	Gegolfde veerring M8	Wave spring washer M8
18	1	STM7621	Aanbouwset cpl.	Adator kit cpl.
19	1	STM4054	Demperplaat DIN splines Z=10	Damper plate DIN splines Z=10
20	6	STM1056	Veerring M8	Spring washer M8
21	6	STM4055	Bout M8x1,25x16	Bolt M8x1.25x16

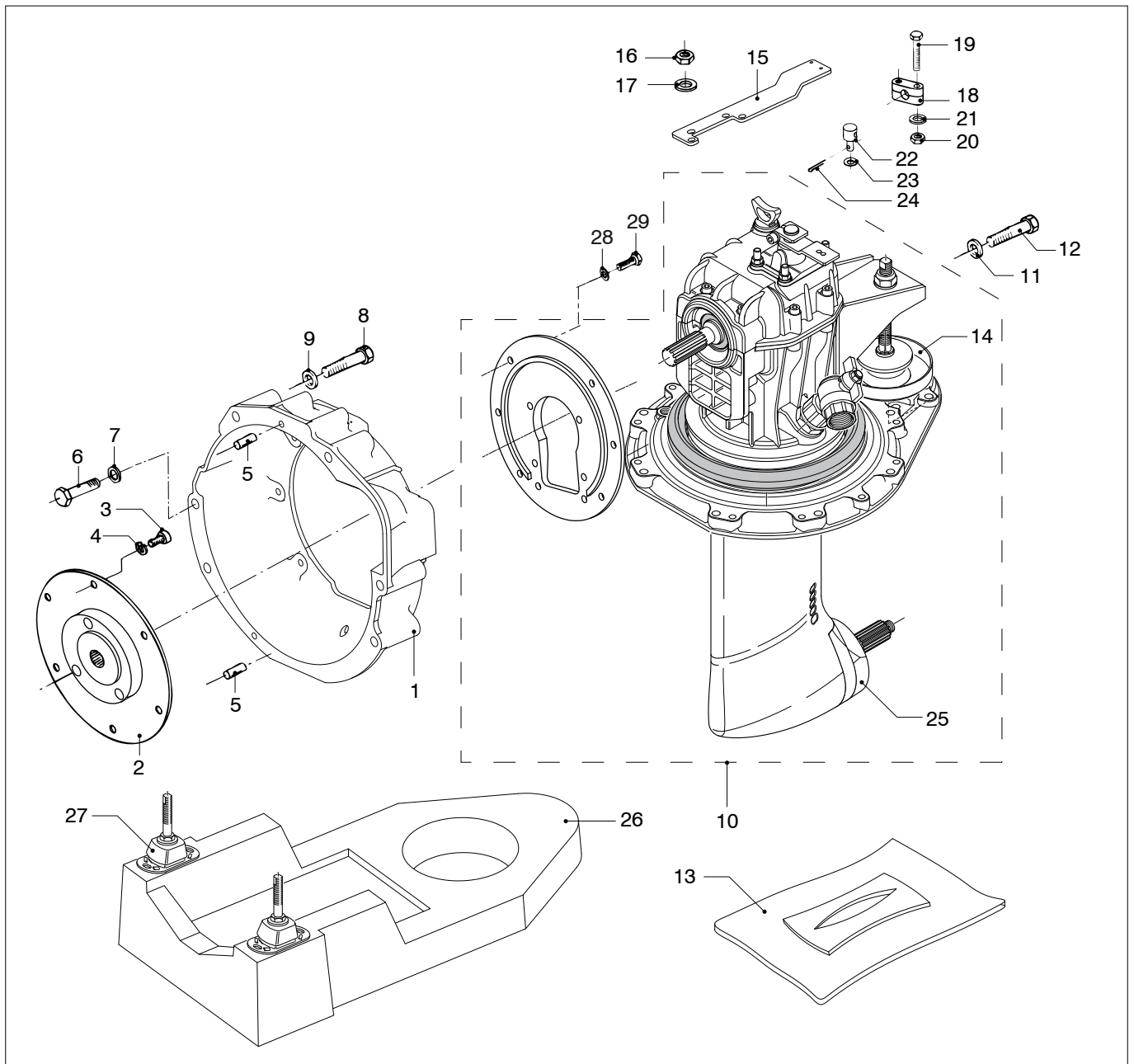


M4.15 M4.17

Verloopset saildrive 120SB

Adaptor kit saildrive 120SB

pos.	qty	part	benaming	description
1	1	STM7606	Koppeling	Coupling
2	1	STM7608	O-ring	O-ring
3	2	STM8332	Inbusbout M8x30	Allen screw M8x30
4	1	STM7616	Koppeling compleet (1+2+3)	Coupling cpl. (1+2+3)
5	1	STM7602	Adapterhuis	Adaptor case
6	1	STM7603	Deksel	Cover
7	2	STM1025	Gegolfde veerring M6	Wave spring washer M6
8	2	STM1024	Bout M6x15	Bolt M6x15
9	1	STM7617	Adapterhuis cpl. (5+6+7+8)	Adaptor case cpl. (5+6+7+8)
10	6	STM7618	Tapeind M10x35	Stud M10x35
11	6	STM2022	Gegolfde veerring M10	Wave spring washer M10
12	6	STM4018	Moer M10	Nut M10
13	6	STM1651	Bout M8x35	Bolt M8x35
14	6	STM1019	Gegolfde veerring M8	Wave spring washer M8
15	1	STM7619	Aanbouwset cpl.	Adaptor kit cpl.
16	1	STM4054	Demperplaat DIN splines Z=10	Damper plate DIN splines Z=10
17	6	STM1056	Veerring M8	Spring washer M8
18	6	STM4055	Bout M8x1,25x16	Bolt M8x1.25x16

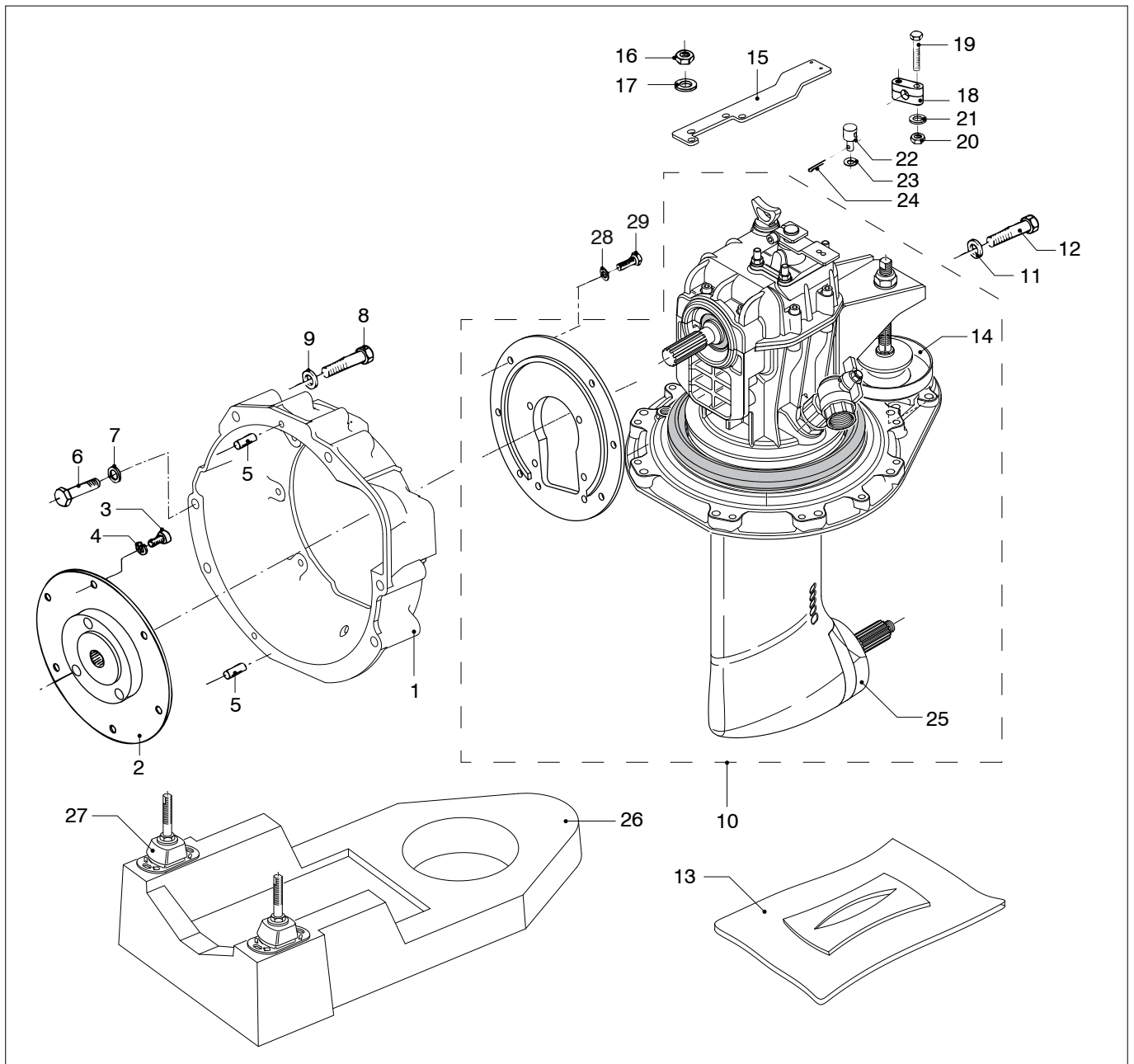


M4.15 M4.17

Saildrive ZF SD10

Saildrive ZF SD10

pos.	qty	part	benaming	description
1	1	STM7567	Vliegwielhuis SAE 7 ø 209,55	Flywheel housing SAE 7 ø 209,55
2	1	STM4054	Demperplaat DIN5464 Z=10	Damperplate DIN5464 Z=10
3	6	STM4055	Bout M8x1,25x16	Bolt M8x1.25x16
4	6	STM1056	Veerring M8	Spring washer M8
5	2	STM3813	Paspen 10x12 DIN7	Pin 10x12 DIN7
6	1	STM7053	Bout M12x1,25x30	Bolt M12x1.25x30
7	1	STM4003	Veerring M12	Spring washer M12
8	4	STM7053	Bout M12x1,25x30	Bolt M12x1.25x30
9	4	STM4056	Gegolfde veerring M12	Wave spring washer M12
10	1	STM5800	ZF saildrive SD10 2,23R	ZF saildrive SD10 2.23R
	1	STM5801	ZF saildrive SD10 2,49R	ZF saildrive SD10 2.49R
11	6	STM4061	Gegolfde veerring M10	Wave spring washer M10
12	6	STM5017	Bout 7/16"UNCx30	Bolt 7/16"UNCx30
13	1	STM9317	Rubber afdichting	Gummi seal
14	1	STM9318	Demper	Damper
15	1	STM1851	Steun	Support

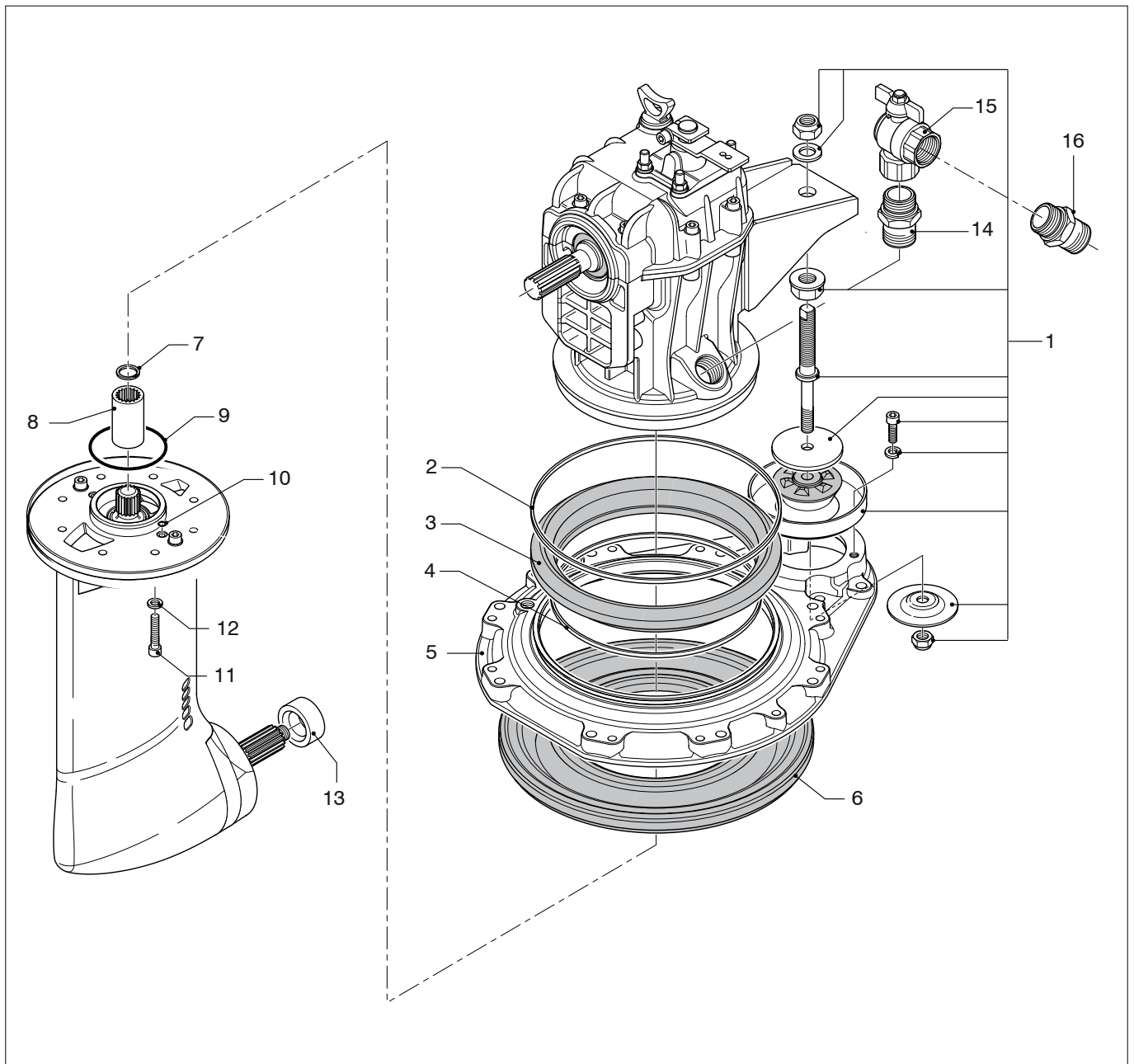


M4.15 M4.17

Saildrive ZF SD10

Saildrive ZF SD10

pos.	qty	part	benaming	description
16	2	STM2005	Moer M8	Nut M8
17	2	STM1056	Veerring M8	Spring washer M8
18	1	STM1703	Kabelklem	Cable clamp
19	2	STM1704	Bout M5x25	Bolt M5x25
20	2	STM1705	Moer M5	Nut M5
21	2	STM1707	Ring	Washer
22	1	STM1806	Nippel	Nipple
23	2	STM1807	Ring	Ring
24	1	STM1807	Splitpen 2x25	Split pin 2x25
25	1	STM9319	Zinkanode	Zinc anode
26	1	STM9320	Fundatie	Engine bed
27	2	KSTEUN100	Trillingdemper	Flexible engine mounting
28	6	STM4003	Gegolfde veerring M10	Wave spring washer M10
29	6	STM9003	Bout M10 x 1,5 x 25	Bolt M10 x 1.5 x 25

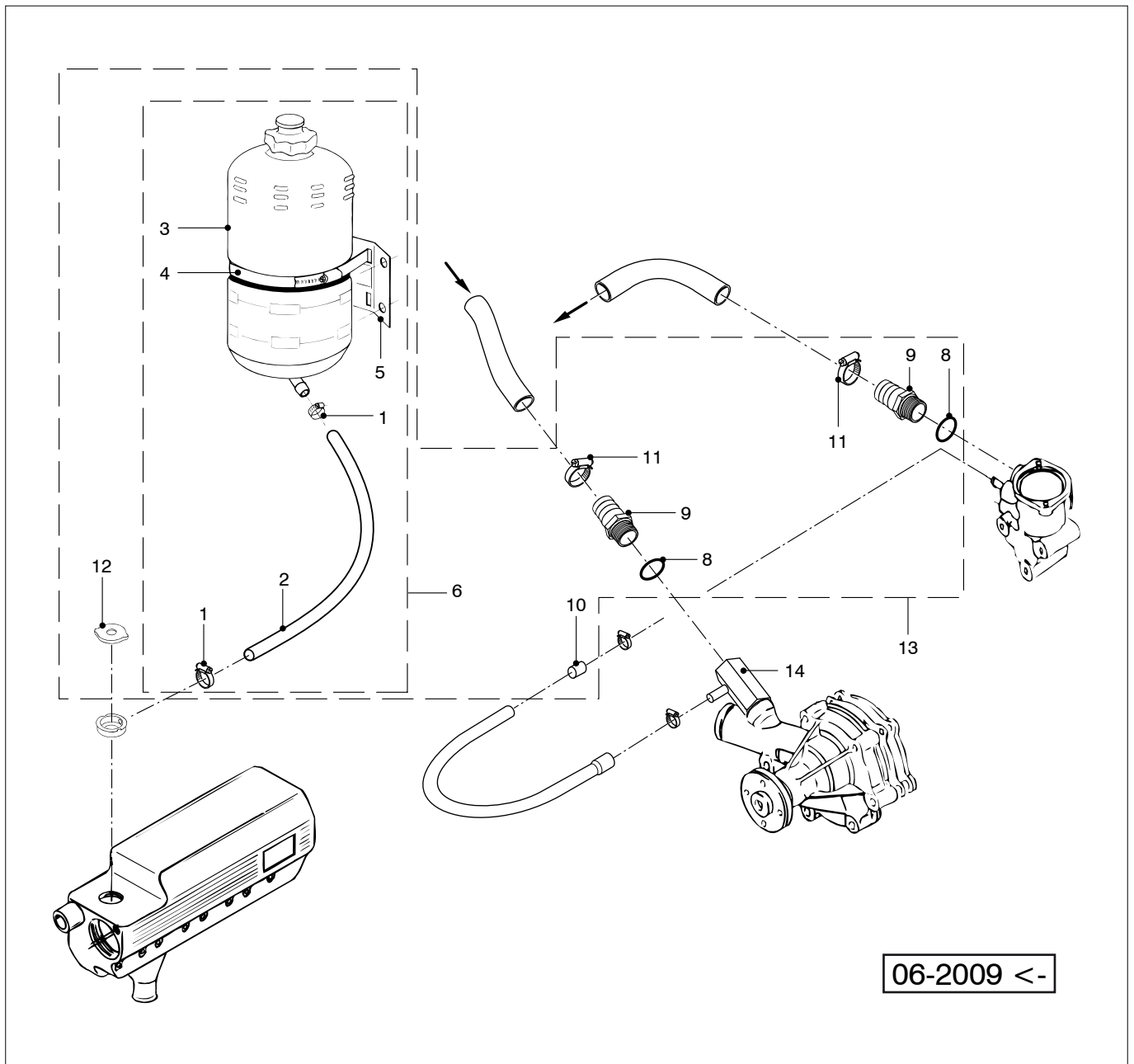


M4.15 M4.17

Saildrive ZF SD10

Saildrive ZF SD10

pos.	qty	part	benaming	description
1	1	STM9318	Demper	Demper
2	1	STM9322	Borg ring	Snap ring
3	1	STM9323	Pakking	Gasket
4	1	STM9324	Borg ring	Snap ring
5	1	STM9325	Bevestigingsplaat	Clamping ring
6	1	STM9326	Pakking	Gasket
7	1	STM9327	Geleidering	Retainer ring
8	1	STM9328	Bus	Sleeve
9	1	STM9329	O-ring	O-ring
10	1	STM9330	O-ring	O-ring
11	1	STM9333	Inbusbout M8x40	Screw T.C.E.I. M8x40
12	1	STM9334	Ring	Washer
13	1	STM9335	Bus	Spacer
14	1	STM9336	Nipple G1-G1	Nipple G1-G1
15	1	STM9337	Afsluiter recht G1	Stop-valve G1
16	1	STM9338	Slangpilaar G1-19	Hose pillar G1-19

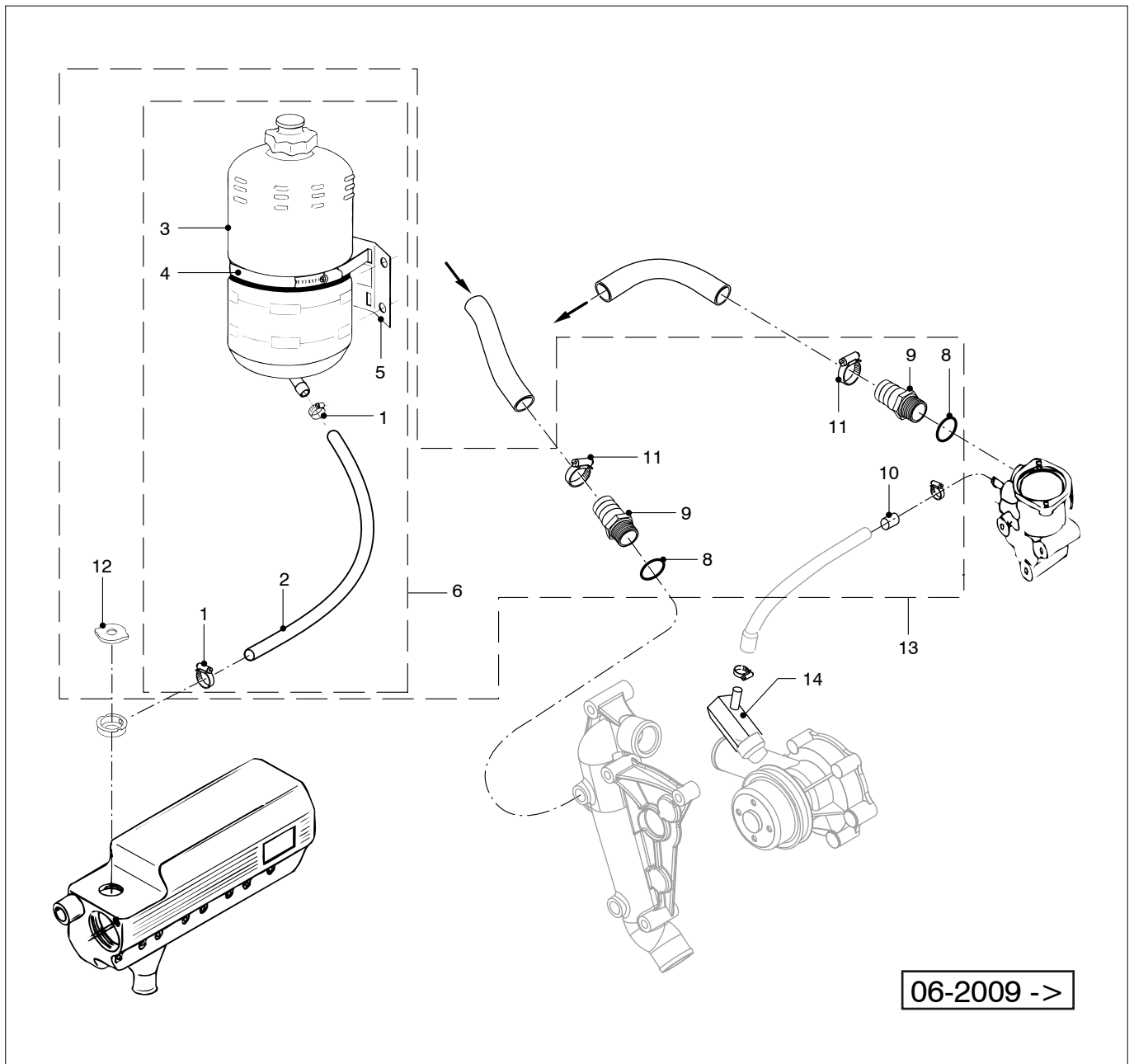


M4.15 M4.17

Boileraansluiting, interkoeling, 06-2009 <-

Calorifier connection, intercooling, 06-2009 <-

pos.	qty	part	benaming	description
1	2	STM9505	Klem	Clamp
2	1	STM9504	Slang	Hose
3	1	STM9501	Expansie tank	Headertank
4	1	STM9503	Slangklem 140-180	Hose clamp 140-180
5	1	STM9502	Bevestigingsbeugel	Support
6	1	STM9500	Expansietank compleet (1 t/m 5)	Headertank compl. (1 till 5)
8	2	STM6617	Afdichtring M16	Seal washer M16
9	2	STM3736	Slangpilaar G3/8 - 16	Hose pillar G3/8 - 16
10	1	STM2507	Prop ø 8	Plug ø 8
11	2	STM2012	Slangklem 19-28	Hose clamp 19-28
12	1	STM9507	Vuldop (Do not open)	Filler cap (Do not open)
13	1	STM7683	Boilerset (motor gedeelte)	Calorifier set (engine part)
14	1	STM7845	Nippel	Nipple

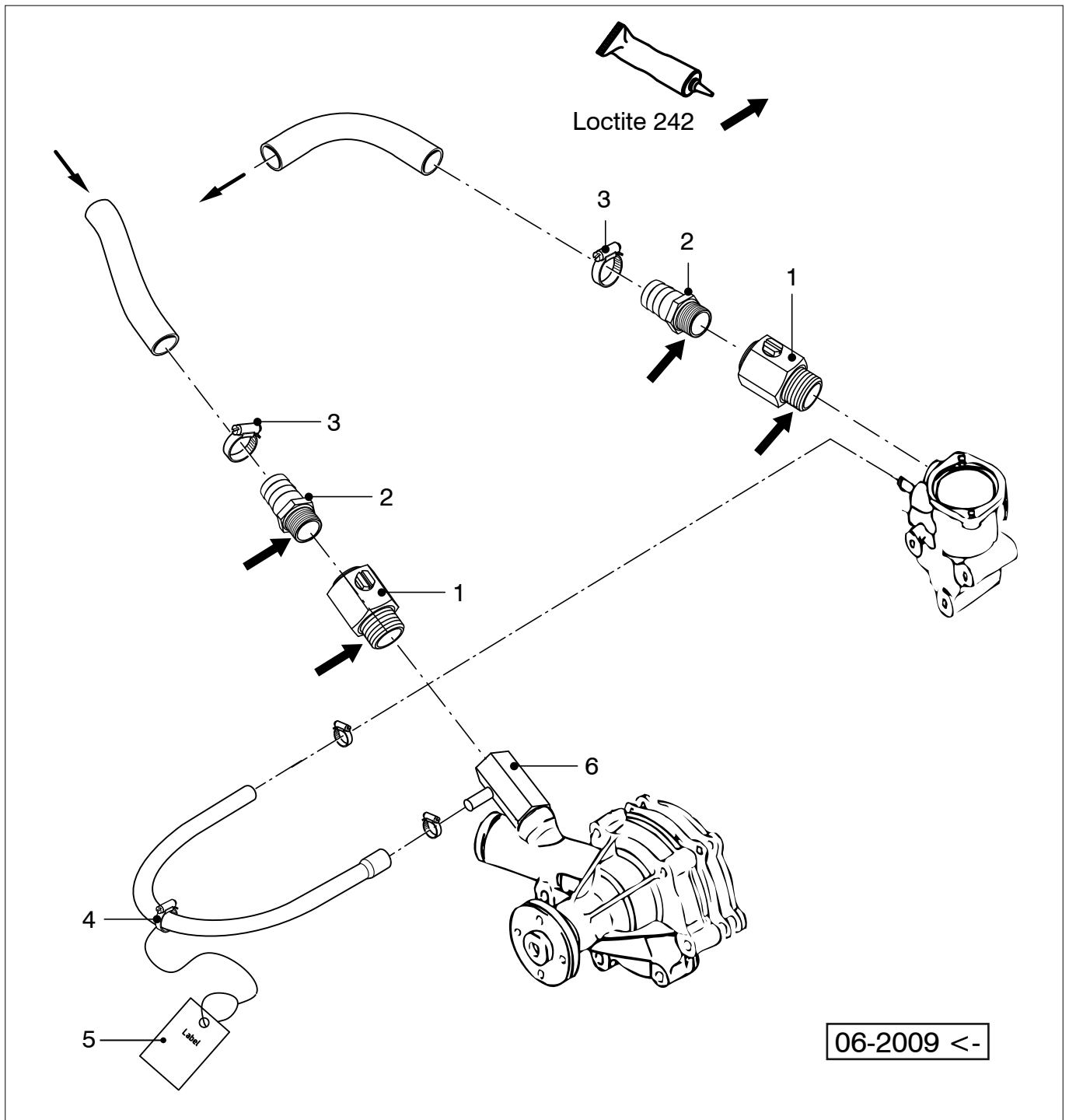


M4.15 M4.17

Boileraansluiting, interkoeling, 06-2009 ->

Calorifier connection, intercooling, 06-2009->

pos.	qty	part	benaming	description
1	2	STM9505	Klem	Clamp
2	1	STM9504	Slang	Hose
3	1	STM9501	Expansie tank	Headertank
4	1	STM9503	Slangklem 140-180	Hose clamp 140-180
5	1	STM9502	Bevestigingsbeugel	Support
6	1	STM9500	Expansietank compleet (1 t/m 5)	Headertank compl. (1 till 5)
8	2	STM6617	Afdichtring M16	Seal washer M16
9	2	STM3736	Slangpilaar G3/8 - 16	Hose pillar G3/8 - 16
10	1	STM2507	Prop ø 8	Plug ø 8
11	2	STM2012	Slangklem 19-28	Hose clamp 19-28
12	1	STM9507	Vuldop (Do not open)	Filler cap (Do not open)
13	1	STM7683	Boilerset (motor gedeelte)	Calorifier set (engine part)
14	1	STM9441	Nippel	Nipple

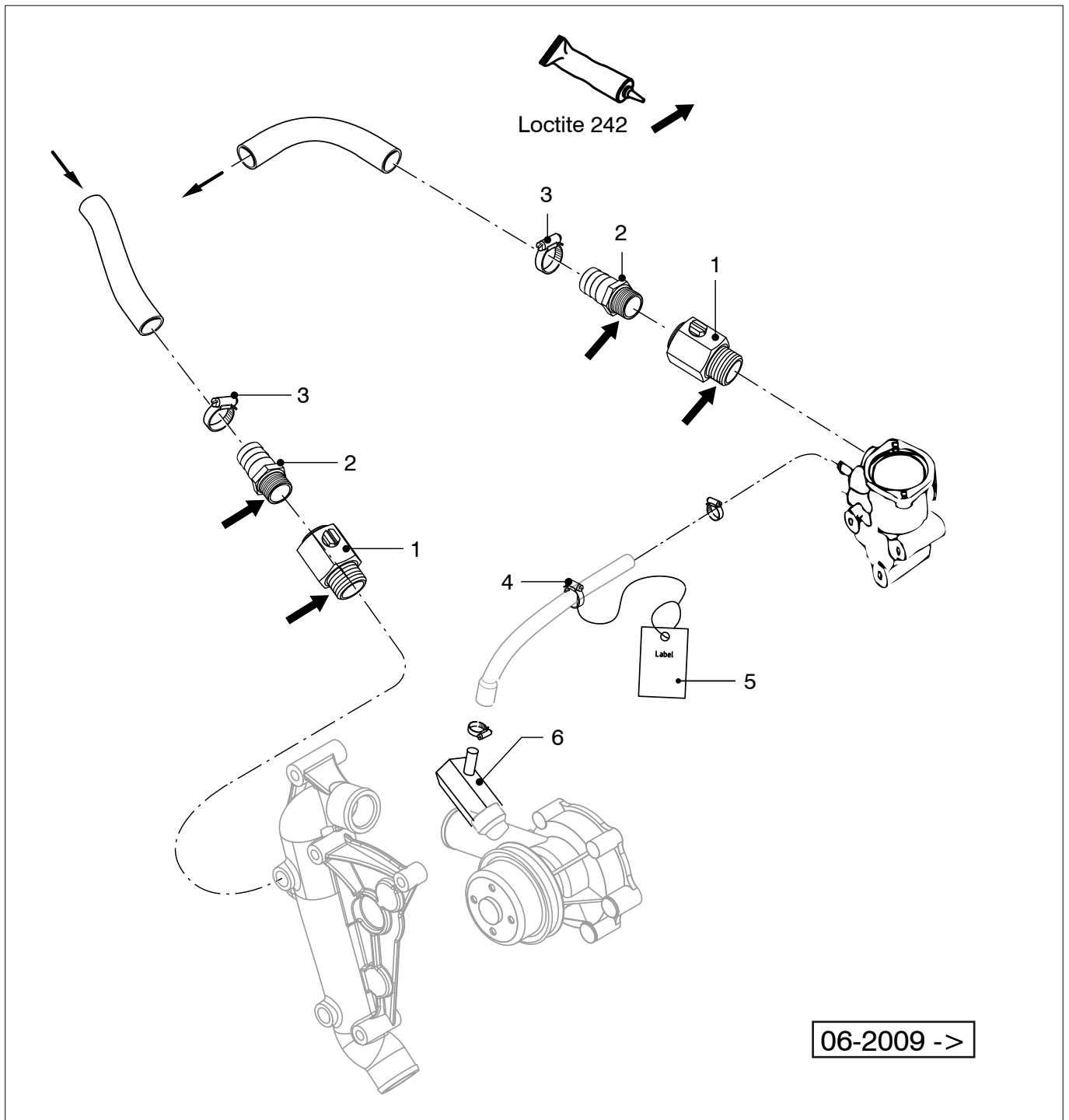


M4.15 M4.17

Boileraansluiting, kielkoeling, , 06-2009 <-

Calorifier connection, keelcooling, 06-2009 <-

pos.	qty	part	benaming	description
1	2	STM9443	Mini kogelkraan G 3/8 - G 3/8	Mini ball valve R 3/8 - R 3/8
2	2	STM3736	Slangpilaar G3/8 - 16	Hose pillar G3/8 - 16
3	2	STM2012	Slangklem 19-28	Hose clamp 19-28
4	1	STM9444	Slangklem 8-16	Hose clamp 8-16
5	1	STM9446	Label 'Boiler'	Label 'Calorifier'
6	1	STM7845	Nippel	Nipple



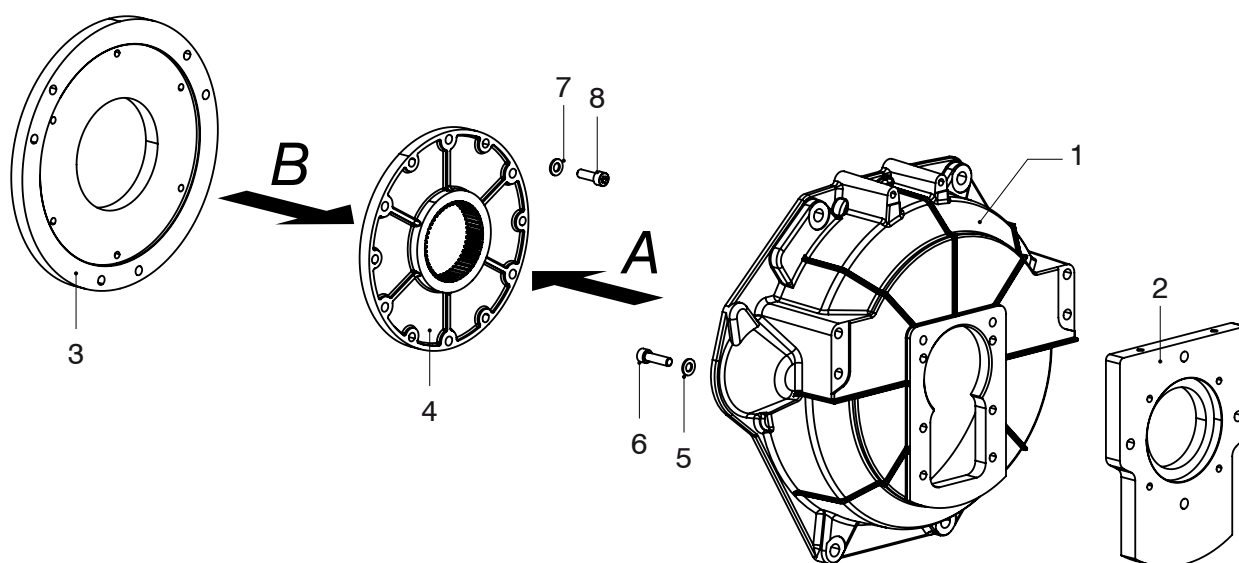
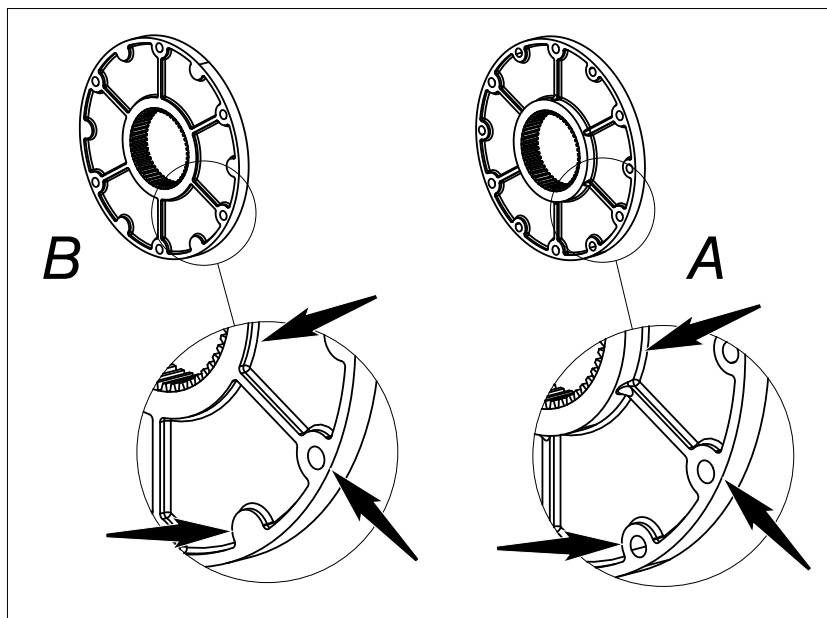
06-2009 ->

M4.15 M4.17

Boileraansluiting, kielkoeling, 06-2009 ->

Calorifier connection, keelcooling, 06-2009 ->

pos.	qty	part	benaming	description
1	2	STM9443	Mini kogelkraan G 3/8 - G 3/8	Mini ball valve R 3/8 - R 3/8
2	2	STM3736	Slangpilaar G3/8 - 16	Hose pillar G3/8 - 16
3	2	STM2012	Slangklem 19-28	Hose clamp 19-28
4	1	STM9444	Slangklem 8-16	Hose clamp 8-16
5	1	STM9446	Label 'Boiler'	Label 'Calorifier'
6	1	STM9441	Nippel	Nipple



M4.15 M4.17

Aanbouwdelen hydraulische aandrijving

Adapter parts for hydraulic propulsion

pos.	qty	part	benaming	description
1	1	STM7566	Vliegwielhuis ø 85	Flywheel housing ø 85
2	1	STM9458	Flens t.b.v. hydraulische voortstuwing	Flange for hydraulic propulsion
3	1	HT5151	Vliegwielverzwaring	Flywheel ring
4	1	HT5148	Flens	Flange
5	4	STM1056	Veerring M8	Spring washer M8
6	4	STM8332	Inbusbout M8 x 30	Allen screw M8 x 30
7	6	STM1056	Veerring M8	Spring washer M8
8	6	STM4525	Inbusbout met lage kop M8 x 25	Allen screw M8 x 25

Register Index

art.nr. / part	pag. page	pos.	art.nr. / part	pag. page	pos.	art.nr. / part	pag. page	pos.	art.nr. / part	pag. page	pos.
08-01005	3-5	35	STM1006	3-2	12	STM1025	4-21	8	STM1610	5-2	10
AD14-16	4-19	27	STM1007	3-2	11	STM1027	3-2	5	STM1610	4-3	8
CT30059	4-6	8	STM1007	3-8	6	STM1027	3-9	3	STM1610	5-4	10
CT30059	4-8	15	STM1017	3-2	4	STM1027	3-10	14	STM1610	4-5	17
CT40029	6-9	33	STM1019	5-1	8	STM1030	6-7	11	STM1610	5-5	10
CT40075	4-5	22	STM1019	5-1	11	STM1030	6-9	32	STM1610	5-6	10
CT40075	4-12	7	STM1019	10-1	14	STM1056	10-1	17	STM1610	5-7	10
CT40083	4-19	29	STM1019	3-2	16	STM1056	10-2	20	STM1610	5-9	10
CT40131	4-14	19	STM1019	4-2	17	STM1056	4-3	9	STM1610	5-10	10
CT40131	4-18	18	STM1019	5-2	8	STM1056	5-3	8	STM1610	5-10	10
CT40133	4-14	21	STM1019	5-2	11	STM1056	10-3	17	STM1610	5-10	10
CT40133	4-18	20	STM1019	10-2	17	STM1056	4-4	15	STM1610	5-11	10
CT40133	4-15	19	STM1019	10-3	14	STM1056	5-4	8	STM1610	5-13	10
CT50079	5-19	7	STM1019	3-4	9	STM1056	10-4	4	STM1610	3-14	5
KSTEUN100	10-5	27	STM1019	5-4	11	STM1056	3-5	32	STM1610	5-14	10
KSTEUN75	2-16	9	STM1019	5-5	11	STM1056	5-5	8	STM1610	5-15	10
LNOIL12U	4-17	11	STM1019	4-6	10	STM1056	10-5	17	STM1610	5-16	10
LNTACHU	4-15	8	STM1019	4-6	16	STM1056	3-6	4	STM1610	5-18	10
LNTACHU	4-17	8	STM1019	5-6	11	STM1056	4-6	14	STM1651	10-1	13
LNTEMP12U	4-17	10	STM1019	3-7	4	STM1056	5-6	8	STM1651	10-2	16
LNVT12U	4-15	9	STM1019	5-7	11	STM1056	3-7	13	STM1651	10-3	13
LNVT12U	4-17	9	STM1019	6-7	14	STM1056	5-7	8	STM1651	3-12	6
MP22BN12A	4-15	18	STM1019	3-8	4	STM1056	4-8	12	STM1651	3-13	6
MP22BN12D	4-16	2	STM1019	4-9	17	STM1056	5-8	8	STM1653	4-4	13
MP22BS12A	4-15	18	STM1019	5-9	11	STM1056	3-9	9	STM1653	4-6	7
MP22BS12D	4-16	2	STM1019	3-10	4	STM1056	5-9	8	STM1653	4-8	14
MP34BN12A	4-18	22	STM1019	5-10	8	STM1056	3-12	5	STM1653	3-14	6
MP34BN12D	4-20	2	STM1019	5-10	11	STM1056	4-12	2	STM1703	10-5	18
MP34BS12A	4-18	22	STM1019	3-11	12	STM1056	5-12	8	STM1703	4-21	4
MP34BS12D	4-20	2	STM1019	4-11	2	STM1056	3-13	5	STM1703	4-21	4
P2295RKP	4-13	3	STM1019	5-11	8	STM1056	5-13	8	STM1703	4-22	2
P2295RKP	4-14	3	STM1019	5-11	11	STM1056	3-14	4	STM1704	10-5	19
P2295RKP	4-15	3	STM1019	5-13	11	STM1056	5-14	8	STM1704	4-21	5
P2295RKP	4-17	3	STM1019	5-14	11	STM1056	5-15	8	STM1704	4-22	3
P35134RKP	4-15	11	STM1019	5-15	11	STM1056	5-16	8	STM1705	4-2	26
P35134RKP	4-18	13	STM1019	5-16	11	STM1056	5-17	8	STM1705	10-5	20
P35164RKP	4-13	11	STM1019	5-18	11	STM1056	5-18	8	STM1705	4-11	8
P35164RKP	4-14	11	STM1019	5-19	4	STM1059	3-2	14	STM1705	4-12	14
P35254ZKP	4-13	15	STM1024	10-1	8	STM1059	3-4	7	STM1705	4-21	14
P35254ZKP	4-14	15	STM1024	10-2	8	STM1062	3-2	13	STM1705	4-22	5
P35254ZKP	4-15	15	STM1024	10-3	8	STM1062	3-4	6	STM1707	10-5	21
P35254ZKP	4-18	17	STM1024	4-5	20	STM1062	3-13	14	STM1707	4-21	13
PA6488	4-13	10	STM1025	10-1	7	STM1062	4-18	26	STM1707	4-22	4
PA6488	4-14	10	STM1025	4-2	19	STM1108	2-8	4	STM1806	10-5	22
PA6488	4-15	10	STM1025	10-2	7	STM1581	4-22	1	STM1806	4-21	11
PA6488	4-17	12	STM1025	10-3	7	STM1610	5-1	10	STM1806	4-22	7
STM0051	1-1	3	STM1025	4-5	19	STM1610	5-1	10	STM1807	10-5	23
STM0051	2-12	6	STM1025	6-7	12	STM1610	5-1	10	STM1807	10-5	24

art.nr. / part	pag. page	pos.	art.nr. / part	pag. page	pos.	art.nr. / part	pag. page	pos.	art.nr. / part	pag. page	pos.
STM1807	4-21	10	STM2527	2-10	7	STM3389	2-3	6	STM4003	5-3	11
STM1807	4-22	6	STM2528	2-10	6	STM3409	6-3	8	STM4003	4-4	3
STM1808	4-21	12	STM2532	2-9	6	STM3410	6-3	9	STM4003	5-4	4
STM1808	4-22	8	STM2537	2-2	24	STM3448	2-5	19	STM4003	10-4	7
STM1851	10-4	15	STM2569	2-5	11	STM3491	5-19	6	STM4003	5-5	4
STM1902	4-21	17	STM2574	2-5	20	STM3491	5-19	8	STM4003	10-5	28
STM1907	4-21	16	STM2579	2-9	8	STM3650	4-10	2	STM4003	5-6	4
STM2005	4-2	20	STM2580	2-7	24	STM3688	4-6	3	STM4003	5-7	4
STM2005	4-3	13	STM2583	2-7	23	STM3688	4-8	3	STM4003	5-8	4
STM2005	4-4	16	STM2588	2-6	5	STM3690	1-1	1	STM4003	5-8	12
STM2005	10-5	16	STM2589	2-6	6	STM3690	6-7	5	STM4003	5-8	14
STM2005	3-6	5	STM2589	2-14	6	STM3705	3-3	30	STM4003	5-9	4
STM2005	4-6	11	STM2591	2-9	11	STM3705	3-5	27	STM4003	6-9	31
STM2005	3-7	14	STM2603	2-6	10	STM3736	10-7	9	STM4003	5-10	4
STM2005	3-9	10	STM2672	2-12	3	STM3736	10-8	9	STM4003	5-11	4
STM2005	4-9	18	STM2672	2-14	7	STM3736	10-9	2	STM4003	5-12	4
STM2005	3-11	13	STM2682	3-1	4	STM3736	10-10	2	STM4003	5-12	11
STM2006	3-3	25	STM2682	2-14	10	STM3749	3-12	4	STM4003	5-13	4
STM2006	4-10	9	STM2683	3-1	5	STM3749	3-13	4	STM4003	5-14	4
STM2012	3-3	26	STM2718	6-2	28	STM3750	3-4	3	STM4003	5-15	4
STM2012	10-7	11	STM2740	4-10	1	STM3766	5-19		STM4003	5-16	4
STM2012	10-8	11	STM2742	4-10	3	STM3771	3-5	33	STM4003	5-17	4
STM2012	10-9	3	STM3005	3-6	7	STM3771	5-19	1	STM4003	5-17	12
STM2012	10-10	3	STM3005	3-7	9	STM3796	6-7	3	STM4003	5-17	14
STM2012	3-11	5	STM3005	3-8	8	STM3796	3-8	7	STM4003	5-18	4
STM2012	3-11	6	STM3005	3-9	4	STM3797	6-7	2	STM4010	2-16	5
STM2012	3-11	7	STM3005	3-9	5	STM3813	5-1	2	STM4011	2-16	8
STM2012	3-11	9	STM3005	3-10	9	STM3813	5-2	2	STM4013	4-4	10
STM2018	3-5	23	STM3005	3-10	15	STM3813	5-3	2	STM4013	6-7	7
STM2018	4-19	31	STM3012	3-5	36	STM3813	5-4	2	STM4014	3-3	29
STM2019	3-3	24	STM3012	3-12	3	STM3813	10-4	5	STM4014	4-4	9
STM2019	4-10	10	STM3012	3-13	10	STM3813	5-5	2	STM4014	3-5	26
STM2022	10-1	11	STM3056	4-7	20	STM3813	5-6	2	STM4014	4-6	4
STM2022	10-2	13	STM3056	4-9	21	STM3813	5-7	2	STM4014	4-8	4
STM2022	4-3	4	STM3061	3-6	2	STM3813	5-8	2	STM4014	4-22	13
STM2022	10-3	11	STM3061	3-9	6	STM3813	5-9	2	STM4018	10-1	12
STM2022	4-4	6	STM3066	4-11	14	STM3813	5-10	2	STM4018	10-2	14
STM2022	4-8	7	STM3066	4-12	13	STM3813	5-11	2	STM4018	10-3	12
STM2261	3-8	5	STM3091	3-9	2	STM3813	5-12	2	STM4018	6-7	9
STM2492	2-2	16	STM3260	6-9	38	STM3813	5-13	2	STM4031	5-7	9
STM2507	10-2	12	STM3355	3-5	31	STM3813	5-14	2	STM4031	5-9	9
STM2507	10-7	10	STM3355	3-6	12	STM3813	5-15	2	STM4031	5-16	9
STM2507	10-8	10	STM3355	3-7	12	STM3813	5-16	2	STM4031	5-18	9
STM2508	2-2	14	STM3355	3-7	15	STM3813	5-17	2	STM4032	5-1	9
STM2510	2-1	12	STM3355	3-9	8	STM3813	5-18	2	STM4032	5-2	9
STM2511	2-2	13	STM3355	3-10	11	STM3817	6-9	30	STM4032	5-10	9
STM2513	2-3	1	STM3355	4-11	3	STM3912	2-11	24	STM4032	5-11	9
STM2525	2-11	15	STM3355	4-12	3	STM4003	5-1	4	STM4037	6-9	34
STM2526	2-10	10	STM3355	5-19	3	STM4003	5-2	4	STM4038	6-9	36
STM2526	2-15	26	STM3387	2-1	7	STM4003	5-3	4	STM4043	3-4	5

art.nr. / part	pag. page	pos.	art.nr. / part	pag. page	pos.	art.nr. / part	pag. page	pos.	art.nr. / part	pag. page	pos.
STM4049	6-9	37	STM4056	5-12	6	STM6238	4-22	9	STM6995	4-5	29
STM4050	6-9	35	STM4056	5-13	6	STM6239	4-22	10	STM7053	5-1	3
STM4054	5-1	9	STM4056	5-14	6	STM6248	4-11	9	STM7053	5-1	5
STM4054	10-1	16	STM4056	5-15	6	STM6269	4-10	6	STM7053	5-2	3
STM4054	5-2	9	STM4056	2-16	3	STM6269	4-19	28	STM7053	5-2	5
STM4054	10-2	19	STM4056	2-16	11	STM6277	4-2	16	STM7053	5-3	3
STM4054	10-3	16	STM4056	5-16	6	STM6278	4-1	15	STM7053	5-3	5
STM4054	5-4	9	STM4056	5-17	6	STM6291	6-9	39	STM7053	5-4	3
STM4054	10-4	2	STM4056	5-18	6	STM6299	3-3	23	STM7053	5-4	5
STM4054	5-5	9	STM4060	2-16	4	STM6299	3-4	13	STM7053	10-4	6
STM4054	5-6	9	STM4061	10-4	11	STM6305	3-13	16	STM7053	10-4	8
STM4054	5-10	9	STM4061	6-7	8	STM6341	4-19	30	STM7053	5-5	3
STM4054	5-11	9	STM4611	4-5	26	STM6412	4-11	1	STM7053	5-5	5
STM4054	5-13	9	STM4611	4-12	11	STM6425	4-22	11	STM7053	5-6	3
STM4054	5-14	9	STM4612	4-5	18	STM6503	3-2	8	STM7053	5-6	5
STM4054	5-15	9	STM4612	4-12	1	STM6531	3-2	15	STM7053	5-7	3
STM4055	5-1	7	STM4614	4-5	25	STM6531	3-4	8	STM7053	5-7	5
STM4055	10-1	18	STM4614	4-7	25	STM6561	3-6	3	STM7053	5-8	3
STM4055	5-2	7	STM4614	4-9	25	STM6562	4-6	13	STM7053	5-8	5
STM4055	10-2	21	STM4614	4-12	10	STM6562	4-8	11	STM7053	5-9	3
STM4055	5-3	7	STM4619	4-3	10	STM6568	4-2	18	STM7053	5-9	5
STM4055	10-3	18	STM4619	4-4	14	STM6568	4-21	15	STM7053	5-10	3
STM4055	5-4	7	STM4619	4-6	15	STM6571	4-17	1	STM7053	5-10	5
STM4055	10-4	3	STM4619	4-8	16	STM6581	6-8	18	STM7053	5-11	3
STM4055	5-5	7	STM5007	5-19	1	STM6581	6-8	19	STM7053	5-11	5
STM4055	5-6	7	STM5017	10-4	12	STM6617	3-7	6	STM7053	5-12	3
STM4055	5-7	7	STM5800	10-4	10	STM6617	10-7	8	STM7053	5-12	5
STM4055	5-8	7	STM5801	10-4	10	STM6617	10-8	8	STM7053	5-13	3
STM4055	5-9	7	STM6049	6-7	4	STM6617	3-10	6	STM7053	5-13	5
STM4055	5-10	7	STM6050	6-7	1	STM6911	4-18	24	STM7053	5-14	3
STM4055	5-11	7	STM6108	3-2	3	STM6912	4-15	2	STM7053	5-14	5
STM4055	5-12	7	STM6113	3-2	7	STM6914	4-17	2	STM7053	5-15	3
STM4055	5-13	7	STM6115	6-7	6	STM6918	4-15	13	STM7053	5-15	5
STM4055	5-14	7	STM6116	3-11	8	STM6918	4-18	15	STM7053	5-16	3
STM4055	5-15	7	STM6121	3-3	17	STM6931	4-2	28	STM7053	5-16	5
STM4055	5-16	7	STM6121	3-4	10	STM6931	4-12	4	STM7053	5-17	3
STM4055	5-17	7	STM6121	4-6	6	STM6941	4-3	15	STM7053	5-17	5
STM4055	5-18	7	STM6126	3-3	21	STM6942	4-3	15	STM7053	5-18	3
STM4056	5-1	6	STM6126	3-14	3	STM6943	4-3	16	STM7053	5-18	5
STM4056	5-2	6	STM6127	3-14	2	STM6944	4-3	17	STM7056	6-8	16
STM4056	5-3	6	STM6130	3-2	9	STM6945	4-3	16	STM7059	5-2	10
STM4056	5-4	6	STM6159	4-5	23	STM6946	4-3	16	STM7059	5-2	10
STM4056	10-4	9	STM6159	4-11	10	STM6947	4-3	16	STM7059	4-7	17
STM4056	5-5	6	STM6159	4-12	9	STM6948	4-3	16	STM7059	6-7	13
STM4056	5-6	6	STM6163	3-14	8	STM6955	4-18	23	STM7059	4-8	13
STM4056	5-7	6	STM6167	3-14	11	STM6961	4-19	37	STM7059	3-11	11
STM4056	5-8	6	STM6180	6-7	10	STM6990	4-5	28	STM7059	5-11	10
STM4056	5-9	6	STM6185	6-8	22	STM6991	4-5	21	STM7059	5-11	10
STM4056	5-10	6	STM6186	6-8	23	STM6993	4-16	1	STM7285	3-7	5
STM4056	5-11	6	STM6198	3-5	22	STM6994	4-20	1	STM7285	3-10	5

art.nr. / part	pag. page	pos.	art.nr. / part	pag. page	pos.	art.nr. / part	pag. page	pos.	art.nr. / part	pag. page	pos.
STM7294	4-7	27	STM7566	5-18	1	STM7609	5-17	9	STM7683	10-8	13
STM7294	4-9	27	STM7567	5-3	1	STM7611	10-1	4	STM7688	3-14	13
STM7410	2-4	4	STM7567	10-4	1	STM7612	10-1	9	STM7689	3-14	12
STM7411	2-5	10	STM7567	5-8	1	STM7612	10-2	9	STM7700	2-8	1
STM7412	2-8	1	STM7567	5-12	1	STM7614	10-1	15	STM7702	2-8	3
STM7414	2-8	4	STM7567	5-17	1	STM7615	10-1	10	STM7704	2-8	7
STM7415	2-8	10	STM7567	4-21	2	STM7616	10-2	4	STM7705	2-8	8
STM7435	3-13	12	STM7568	3-5	30	STM7616	10-3	4	STM7706	2-8	10
STM7437	4-6	1	STM7568	5-19	2	STM7617	10-3	9	STM7707	2-8	11
STM7442	2-12	7	STM7570	2-16	1	STM7618	10-3	10	STM7708	2-8	12
STM7442	3-13	11	STM7571	2-16	2	STM7619	10-3	15	STM7709	2-8	13
STM7443	3-13	15	STM7572	6-9	29	STM7620	10-2	10	STM7709	2-14	12
STM7444	1-1	6	STM7573	3-12	1	STM7621	10-2	18	STM7710	3-3	28
STM7444	4-4	11	STM7574	3-12	2	STM7623	4-4	12	STM7710	3-5	25
STM7446	3-2	10	STM7577	4-21	6	STM7624	4-4	2	STM7710	2-8	14
STM7458	3-13	17	STM7578	4-11	4	STM7625	4-4	8	STM7711	2-8	15
STM7472	3-13	18	STM7580	4-19	32	STM7625	4-6	2	STM7712	2-6	1
STM7484	3-13	13	STM7581	4-19	34	STM7625	4-8	2	STM7713	2-6	2
STM7551	3-2	2	STM7582	4-19	33	STM7627	4-3	7	STM7714	2-6	3
STM7552	3-2	1	STM7583	3-4	15	STM7629	3-14	9	STM7715	2-6	4
STM7553	3-4	2	STM7584	2-16	6	STM7630	3-14	1	STM7716	2-6	7
STM7554	3-4	1	STM7585	3-3	27	STM7631	3-14	10	STM7717	2-6	8
STM7555	3-2	6	STM7585	3-11	2	STM7640	4-3	2	STM7718	2-6	9
STM7557	3-3	19	STM7586	3-5	24	STM7641	4-3	3	STM7719	2-6	11
STM7558	3-3	20	STM7589	3-12	2	STM7641	4-4	5	STM7720	2-6	12
STM7558	3-4	14	STM7591	4-5	27	STM7641	4-8	8	STM7721	2-6	14
STM7559	3-8	1	STM7591	4-11	13	STM7642	4-3	5	STM7722	2-6	15
STM7560	3-8	9	STM7591	4-12	12	STM7642	4-4	7	STM7723	2-6	16
STM7560	3-9	1	STM7593	4-21	3	STM7642	4-8	6	STM7724	2-7	17
STM7560	3-10	13	STM7594	4-21	7	STM7643	1-1	4	STM7725	2-7	18
STM7561	3-11	1	STM7595	2-16	7	STM7643	4-3	6	STM7727	2-7	20
STM7562	3-11	3	STM7595	2-16	10	STM7646	4-3	11	STM7728	2-7	21
STM7563	3-11	4	STM7598	6-8	20	STM7648	3-3	31	STM7729	2-7	22
STM7564	3-6	11	STM7599	6-8	21	STM7649	4-2	29	STM7730	2-7	25
STM7564	3-11	10	STM7601	10-1	5	STM7649	4-3	14	STM7731	2-7	26
STM7565	3-6	6	STM7601	10-2	5	STM7649	4-5	30	STM7732	2-9	1
STM7565	3-9	7	STM7602	10-3	5	STM7649	4-12	4	STM7734	2-9	4
STM7566	5-1	1	STM7603	10-1	6	STM7654	3-1	11	STM7734	2-14	13
STM7566	5-2	1	STM7603	10-2	6	STM7654	3-8	3	STM7736	2-9	5
STM7566	5-4	1	STM7603	10-3	6	STM7655	4-2	23	STM7737	2-9	7
STM7566	5-5	1	STM7604	10-2	11	STM7656	4-2	22	STM7738	2-9	9
STM7566	5-6	1	STM7605	10-1	1	STM7667	4-4	4	STM7739	2-9	10
STM7566	5-7	1	STM7606	10-2	1	STM7673	3-5	28	STM7740	2-9	12
STM7566	5-9	1	STM7606	10-3	1	STM7674	3-6	1	STM7741	2-9	13
STM7566	5-10	1	STM7607	10-1	2	STM7674	3-7	10	STM7742	2-1	1
STM7566	5-11	1	STM7608	10-2	2	STM7675	3-6	8	STM7743	2-1	3
STM7566	5-13	1	STM7608	10-3	2	STM7676	3-6	9	STM7744	2-1	4
STM7566	5-14	1	STM7609	5-3	9	STM7677	3-6	10	STM7745	2-1	5
STM7566	5-15	1	STM7609	5-8	9	STM7679	3-5	29	STM7746	2-1	6
STM7566	5-16	1	STM7609	5-12	9	STM7683	10-7	13	STM7747	2-1	8

art.nr. / part	pag. page	pos.	art.nr. / part	pag. page	pos.	art.nr. / part	pag. page	pos.	art.nr. / part	pag. page	pos.
STM7748	2-1	9	STM7794	2-4	4	STM7845	3-1	3	STM7886	6-6	3
STM7748	2-1	9	STM7795	2-4	5	STM7845	10-7	14	STM7887	6-6	3
STM7749	2-1	10	STM7796	2-4	6	STM7845	10-9	6	STM7888	6-6	3
STM7750	2-1	11	STM7799	2-4	9	STM7846	3-1	6	STM7889	6-6	3
STM7751	2-2	15	STM7800	2-4	9	STM7846	2-14	8	STM7890	6-6	4
STM7752	2-2	17	STM7801	2-4	9	STM7847	3-1	7	STM7891	6-6	5
STM7753	2-2	18	STM7802	2-5	9	STM7848	3-1	8	STM7892	6-6	6
STM7754	2-2	19	STM7803	2-5	10	STM7849	3-1	9	STM7893	6-6	7
STM7755	2-2	20	STM7804	2-5	12	STM7850	3-1	10	STM7894	6-6	8
STM7755	2-14	16	STM7805	2-5	13	STM7852	3-1	12	STM7895	6-1	1
STM7756	2-2	21	STM7806	2-5	14	STM7853	3-1	13	STM7896	6-1	2
STM7757	2-2	22	STM7807	2-5	15	STM7854	3-1	14	STM7897	6-1	3
STM7758	2-2	23	STM7809	2-5	16	STM7855	3-1	15	STM7898	6-1	4
STM7760	2-3	2	STM7810	2-5	17	STM7855	3-8	2	STM7899	6-1	5
STM7761	2-3	3	STM7812	2-5	21	STM7855	2-15	22	STM7900	6-1	6
STM7761	2-14	14	STM7814	2-11	18	STM7856	3-1	16	STM7901	6-1	7
STM7762	2-3	4	STM7815	2-11	19	STM7856	2-15	23	STM7902	6-1	8
STM7763	2-3	5	STM7816	2-11	20	STM7857	3-1	17	STM7903	6-1	9
STM7764	2-3	6	STM7817	2-11	21	STM7858	3-1	18	STM7904	6-1	10
STM7765	2-3	6	STM7818	2-11	22	STM7859	3-1	19	STM7905	6-1	11
STM7766	2-3	6	STM7819	2-13	1	STM7860	3-1	20	STM7906	6-1	12
STM7767	2-3	7	STM7820	2-13	2	STM7861	6-3	1	STM7907	6-1	13
STM7769	2-3	10	STM7820	2-15	19	STM7861	2-14	5	STM7908	6-1	14
STM7770	2-10	1	STM7821	3-12	7	STM7862	6-3	2	STM7909	6-1	15
STM7771	2-10	2	STM7821	2-13	3	STM7862	2-14	4	STM7910	6-1	16
STM7771	2-14	15	STM7821	3-13	7	STM7863	6-3	3	STM7911	6-1	17
STM7772	2-10	3	STM7821	2-15	21	STM7864	6-3	4	STM7912	6-1	18
STM7773	2-10	4	STM7822	3-12	8	STM7865	6-3	5	STM7913	6-2	19
STM7774	2-10	5	STM7822	2-13	4	STM7866	6-3	6	STM7914	6-2	20
STM7774	2-15	17	STM7822	3-13	8	STM7867	6-3	7	STM7915	6-2	21
STM7776	2-10	8	STM7822	2-15	18	STM7868	6-3	10	STM7916	6-2	22
STM7777	2-10	9	STM7823	2-13	5	STM7869	6-3	11	STM7917	6-2	23
STM7777	2-15	27	STM7824	3-12	9	STM7870	6-3	12	STM7918	6-2	24
STM7778	2-10	11	STM7824	2-13	6	STM7871	6-3	13	STM7918	2-15	24
STM7779	2-10	12	STM7824	3-13	9	STM7872	6-3	14	STM7919	6-2	25
STM7779	2-10	13	STM7825	3-3	18	STM7873	6-3	15	STM7920	6-2	26
STM7780	2-11	23	STM7825	3-3	32	STM7874	6-3	16	STM7921	6-2	27
STM7781	2-10	14	STM7825	3-4	11	STM7875	6-3	17	STM7922	6-2	29
STM7782	2-12	13	STM7825	2-15	20	STM7876	6-3	18	STM7923	6-2	30
STM7783	2-12	14	STM7826	2-12	10	STM7876	6-8	25	STM7924	6-2	31
STM7784	2-12	15	STM7827	2-12	11	STM7877	6-3	19	STM7925	6-2	32
STM7784	2-14	3	STM7828	2-12	12	STM7877	6-8	24	STM7926	6-2	33
STM7786	2-12	17	STM7829	2-12	1	STM7878	6-6	1	STM7927	6-2	34
STM7787	2-4	1	STM7831	2-12	2	STM7879	6-6	2	STM7927	2-14	9
STM7788	2-4	1	STM7832	2-12	5	STM7880	6-6	3	STM7928	6-2	35
STM7789	2-4	1	STM7834	4-10	8	STM7881	6-6	3	STM7931	4-10	4
STM7790	2-4	2	STM7835	2-12	8	STM7882	6-6	3	STM7932	4-10	5
STM7791	2-4	2	STM7836	2-12	9	STM7883	6-6	3	STM7933	4-1	4
STM7792	2-4	2	STM7843	3-1	1	STM7884	6-6	3	STM7934	4-1	5
STM7793	2-4	3	STM7844	3-1	2	STM7885	6-6	3	STM7935	4-1	6

art.nr. / part	pag. page	pos.	art.nr. / part	pag. page	pos.	art.nr. / part	pag. page	pos.	art.nr. / part	pag. page	pos.
STM7936	4-1	3	STM8126	3-10	3	STM9172	4-13	7	STM9333	10-6	11
STM7937	4-1	12	STM8129	4-21	18	STM9172	4-14	7	STM9334	10-6	12
STM7938	4-1	13	STM8150	3-5	34	STM9172	4-15	7	STM9335	10-6	13
STM7939	4-1	14	STM8150	5-19	5	STM9172	4-17	7	STM9336	10-6	14
STM7940	4-1	9	STM8177	4-2	25	STM9173	4-13	8	STM9337	10-6	15
STM7940	2-11	16	STM8177	4-11	7	STM9174	4-13	9	STM9338	10-6	16
STM7941	4-1	10	STM8177	4-12	8	STM9176	4-15	8	STM9440	3-1	19
STM7941	2-11	17	STM8255	4-21	1	STM9176	4-17	8	STM9440	4-7	18
STM7942	4-1	11	STM8277	5-8	10	STM9177	4-14	20	STM9440	4-9	19
STM7943	4-1	8	STM8277	5-17	10	STM9177	4-15	9	STM9441	3-1	3
STM7944	4-1	1	STM8326	4-18	25	STM9177	4-17	9	STM9441	4-7	19
STM7945	4-1	7	STM8332	10-1	3	STM9178	4-17	10	STM9441	10-8	14
STM7953	2-14	11	STM8332	10-2	3	STM9179	4-17	11	STM9441	4-9	20
STM7959	2-8	5	STM8332	10-3	3	STM9180	4-13	14	STM9441	10-10	6
STM7960	2-8	6	STM8391	10-2	15	STM9180	4-14	14	STM9443	10-9	1
STM7961	2-8	9	STM8569	4-21	9	STM9180	4-15	14	STM9443	10-10	1
STM7962	2-12	4	STM9003	5-3	10	STM9181	4-18	16	STM9444	10-9	4
STM7963	2-14	2	STM9003	10-5	29	STM9184	4-11	11	STM9444	10-10	4
STM7964	2-15	25	STM9003	5-8	11	STM9185	4-11	12	STM9446	10-9	5
STM7965	2-14	1	STM9003	5-8	13	STM9186	4-13	1	STM9446	10-10	5
STM7966	1-1	4	STM9003	5-12	10	STM9186	4-14	1	STM9450	1-1	5
STM7966	4-2	27	STM9003	5-17	11	STM9186	4-15	1	STM9466	4-3	17
STM7967	4-1	2	STM9003	5-17	13	STM9187	4-13	17	STM9474	3-13	1
STM7968	6-4	1	STM9043	4-11	5	STM9188	4-13	16	STM9476	3-13	2
STM7969	6-4	2	STM9043	4-12	6	STM9188	4-14	16	STM9477	2-1	9
STM7970	6-4	3	STM9050	4-2	21	STM9188	4-15	17	STM9500	3-5	21
STM7971	6-4	4	STM9050	4-5	24	STM9188	4-18	14	STM9500	10-7	6
STM7972	6-4	5	STM9050	4-7	24	STM9191	4-14	22	STM9500	10-8	6
STM7973	6-4	6	STM9050	4-9	24	STM9215	4-13	12	STM9501	3-4	16
STM7974	6-4	7	STM9050	4-12	5	STM9215	4-14	12	STM9501	10-7	3
STM7975	6-4	8	STM9062	4-2	24	STM9215	4-15	12	STM9501	10-8	3
STM7976	6-4	9	STM9062	4-11	6	STM9215	4-18	21	STM9502	3-4	17
STM7977	6-4	10	STM9063	4-7	26	STM9262	6-8	15	STM9502	10-7	5
STM7978	6-4	11	STM9063	4-9	26	STM9292	4-3	1	STM9502	10-8	5
STM7979	6-4	12	STM9164	4-13	13	STM9292	4-8	1	STM9503	3-4	18
STM7980	6-4	13	STM9164	4-14	13	STM9292	4-4	1	STM9503	10-7	4
STM7981	6-4	14	STM9168	4-13	2	STM9317	10-4	13	STM9503	10-8	4
STM7982	6-4	15	STM9168	4-14	2	STM9318	10-4	14	STM9504	3-5	19
STM7983	6-5	16	STM9169	4-13	4	STM9318	10-6	1	STM9504	10-7	2
STM7985	6-5	17	STM9169	4-14	4	STM9319	10-5	25	STM9504	10-8	2
STM7986	6-5	18	STM9169	4-15	4	STM9320	10-5	26	STM9505	3-5	20
STM7987	6-5	19	STM9169	4-17	4	STM9322	10-6	2	STM9505	10-7	1
STM7988	6-8	26	STM9170	4-13	5	STM9323	10-6	3	STM9505	10-8	1
STM7989	6-8	27	STM9170	4-14	5	STM9324	10-6	4	STM9507	3-4	4
STM7990	6-8	28	STM9170	4-15	5	STM9325	10-6	5	STM9507	10-7	12
STM7999	4-10	7	STM9170	4-17	5	STM9326	10-6	6	STM9507	10-8	12
STM8057	6-8	17	STM9171	4-13	6	STM9327	10-6	7	STM9543	1-1	5
STM8076	1-1	2	STM9171	4-14	6	STM9328	10-6	8	STM9682	4-3	12
STM8076	3-14	7	STM9171	4-15	6	STM9329	10-6	9	STM9682	3-7	2
STM8126	3-7	3	STM9171	4-17	6	STM9330	10-6	10	STM9682	3-10	2

art.nr. / part	pag. page	pos.
STM9731	4-15	16
STM9731	4-19	35
STM9742	4-22	15
STM9750	4-22	12
STM9765	4-22	14
STM9851	3-7	1
STM9851	3-10	1
STM9852	3-7	7
STM9852	3-10	7
STM9853	3-10	8
STM9854	4-6	9
STM9855	4-8	9
STM9856	4-6	12
STM9856	4-8	10
STM9857	1-1	6
STM9857	4-6	5
STM9858	1-1	6
STM9858	4-8	5
STM9859	3-7	11
STM9859	3-10	10
STM9860	3-7	16
STM9860	3-10	12
STM9861	4-7	23
STM9861	4-9	23
STM9862	4-3	14
STM9862	4-7	21
STM9862	4-12	4
STM9863	4-7	22
STM9864	4-9	22
STM9888	4-13	23
STM9888	4-14	23
STM9888	4-15	20
STM9888	4-19	36
STM9895	3-7	8
STM9896	3-13	3
STM9897	3-13	3
STM9901	2-8	1
STM9962	6-4	3
STM9963	6-4	4
STM9964	6-4	6
STM9965	6-4	7
STM9971	6-4	1
STM9973	4-1	1
STM9986	2-8	10
STM9998	2-11	19
TACHB	4-14	18

VETUS n.v.

FOKKERSTRAAT 571 - 3125 BD SCHIEDAM - HOLLAND
TEL.: +31 (10) 4377700 - TELEFAX: +31 (10) 4372673 - 4621286
E-MAIL: sales@vetus.nl - INTERNET: <http://www.vetus.com>